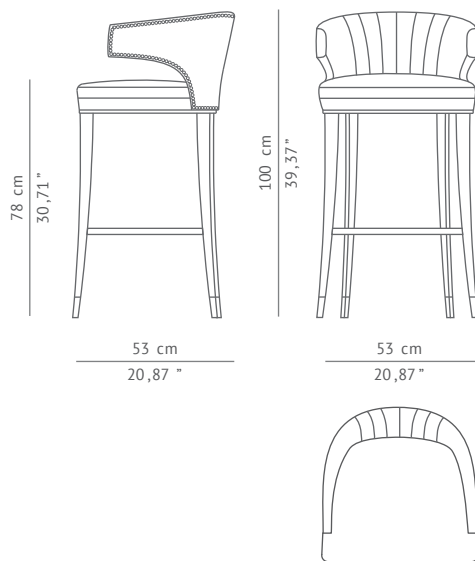


CASEGOODS UPHOLSTERY LIGHTING RUGS ART ACCESSORIES



IBIS | BAR CHAIR

Ibis are beautiful birds, known for their long slim legs. The IBIS bar chair was inspired by this natural elegance, with all the refinement of velvet in a unique upholstery piece.



DIMENSIONS

WIDTH	53 cm 21"
DEPTH	53 cm 21"
HEIGHT	100 cm 39,37"
SEAT HEIGHT	78 cm 30,71"
SEAT DEPTH	43 cm 17"
ARMREST HEIGHT	97 cm 38,19"

MATERIALS

FABRIC	Cotton velvet
FABRIC REFERENCE	BB MOSS II - Colour 19
FABRIC NEEDED	2 mts 78,74" (Standard width 1,40mts 55")
LEGS	Ash with walnut stain matte varnish and aged brass details
NAILS	Bronze renaissance

FABRIC / LEATHER REQUEST

COM	2 mts 78,74" (Standard width 1,40mts 55")
COL	30,08 sq ft

PACKAGING

DIMENSIONS	W 60 cm 50" D 60 cm 50" H 107 cm 42,12"
VOLUME	0,38m ³ 13,41ft ³
WEIGHT	23kg 50,70 lbs

LEAD TIME

Production time is between 6 to 8 weeks for BRABBU collections.
Delivery time is not included.

All of our furniture can be made to measure and it is available in different finishes.
Please note that the colours and materials shown are for reference only and small variations may occur.