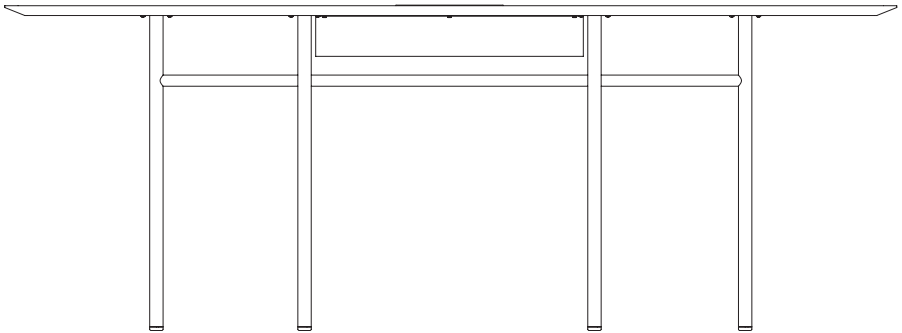


Snaregade Conference Table

by Norm Architects



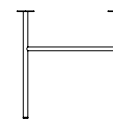
Congratulations with your new table designed by Norm Architects. We hope you will enjoy using this item and follow these instructions to ensure correct assembly.

These instructions are provided for your safety. It is important that the instructions are read carefully and completely before assembling.

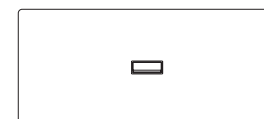
COMPONENT OVERVIEW



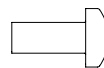
1 x Long Leg Frame



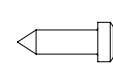
2 x Short Leg Frame



1 x Table Top



24 x Allen Screws



6 x Self-tapping Screws



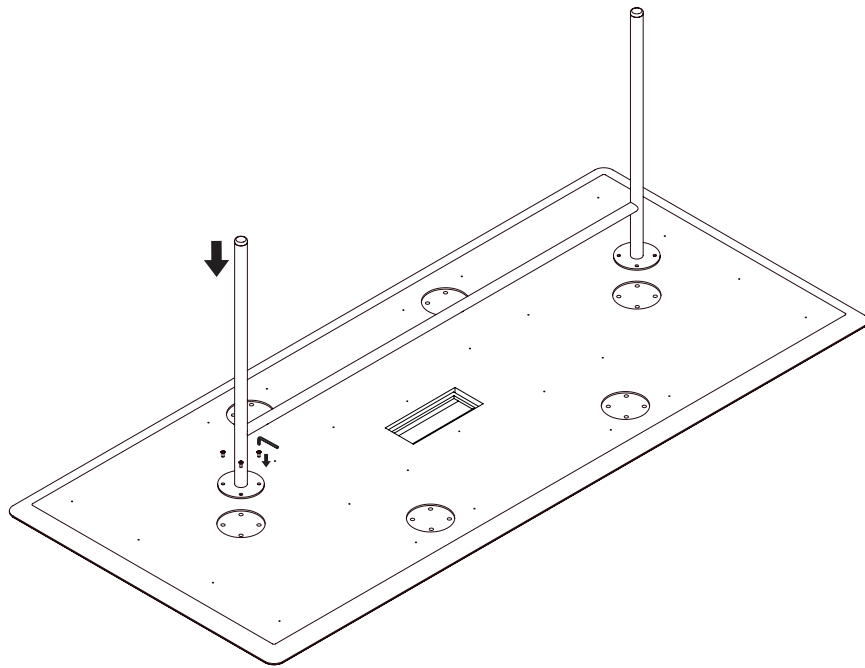
1 x Cable Tray

IMPORTANT INFORMATION

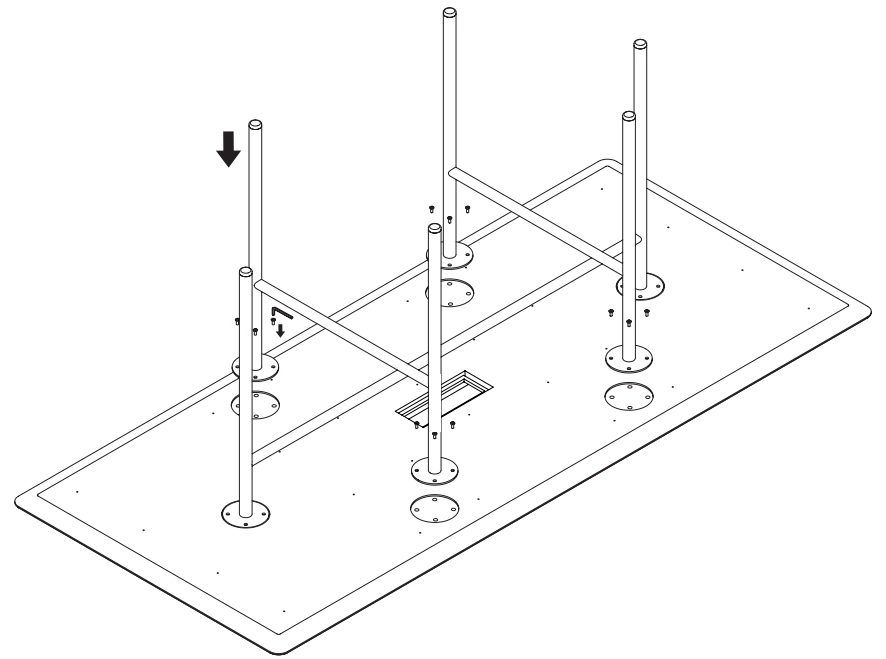
CARE AND MAINTENANCE

Please see care instructions on www.menuspace.com

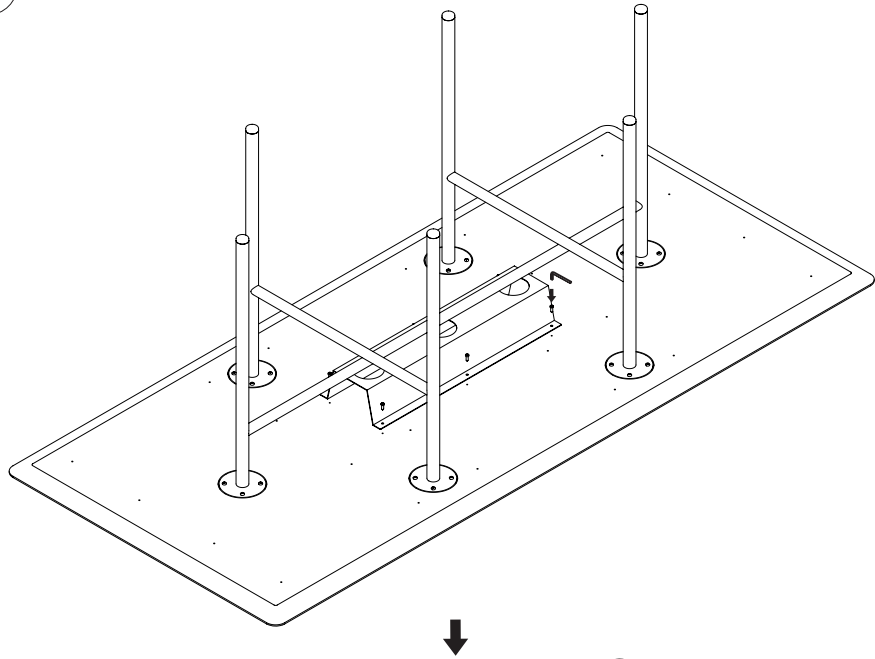
1



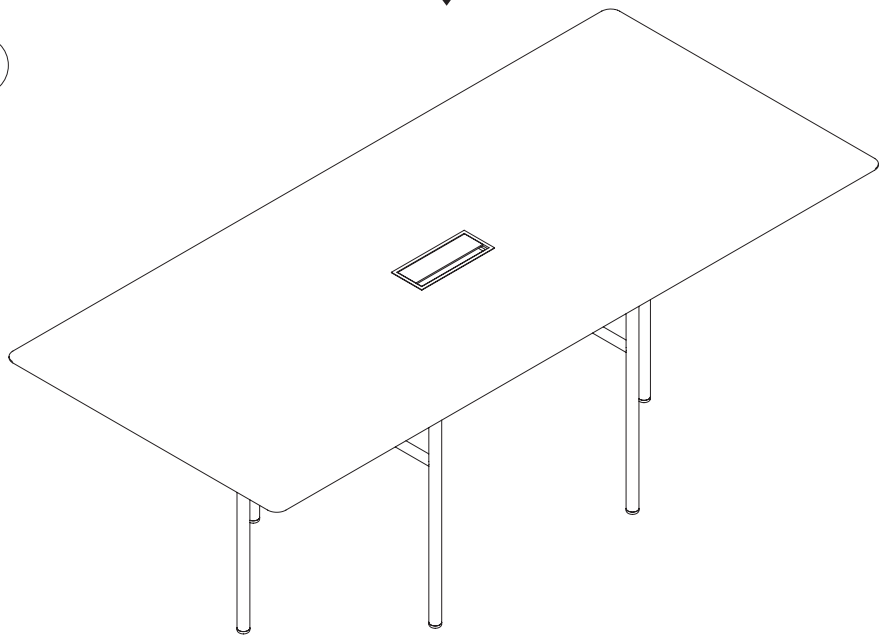
2



3



4



3a

Additional Seat runner instructions

The Seat runner is not included in any Snaregade tables, and must be purchased separately.

