

Sink GK 1401 000

Kitchen Sinks

Code: 1401 000



DETAILS

Finish Foster brushed

Material AISI 304 stainless steel

Texture Satin

Base 90 cm

Edge/Installation Type Flush-mount | Top-mount

Dimensions 860x480 mm

Standard fittings Fixing hooks, gasket, drain, overflow and siphon, boxed packing

Mixer holes 2 standard holes

Built-in hole View technical data sheet (for all Flush-mount / Top-mount models and Under-mount models)

Drainer No

Width 86 cm

Bowl dimension 730x400 mm

Number of bowls 1 bowl

Waste fitting Drain with automatic control SPACE

FEATURES

Automatic waste fitting The waste-fitting with round remote knob is supplied; a practical accessory which makes it unnecessary to get wet in order to drain the water from the bowl.

Diamond-shape bottom The draining of water is an important feature in a sink, and it's always taken good care of in Foster products. In the bent-welded sinks, which would have a flat bottom, the proper draining is guaranteed by the elegant beveling, which helps the water flow.

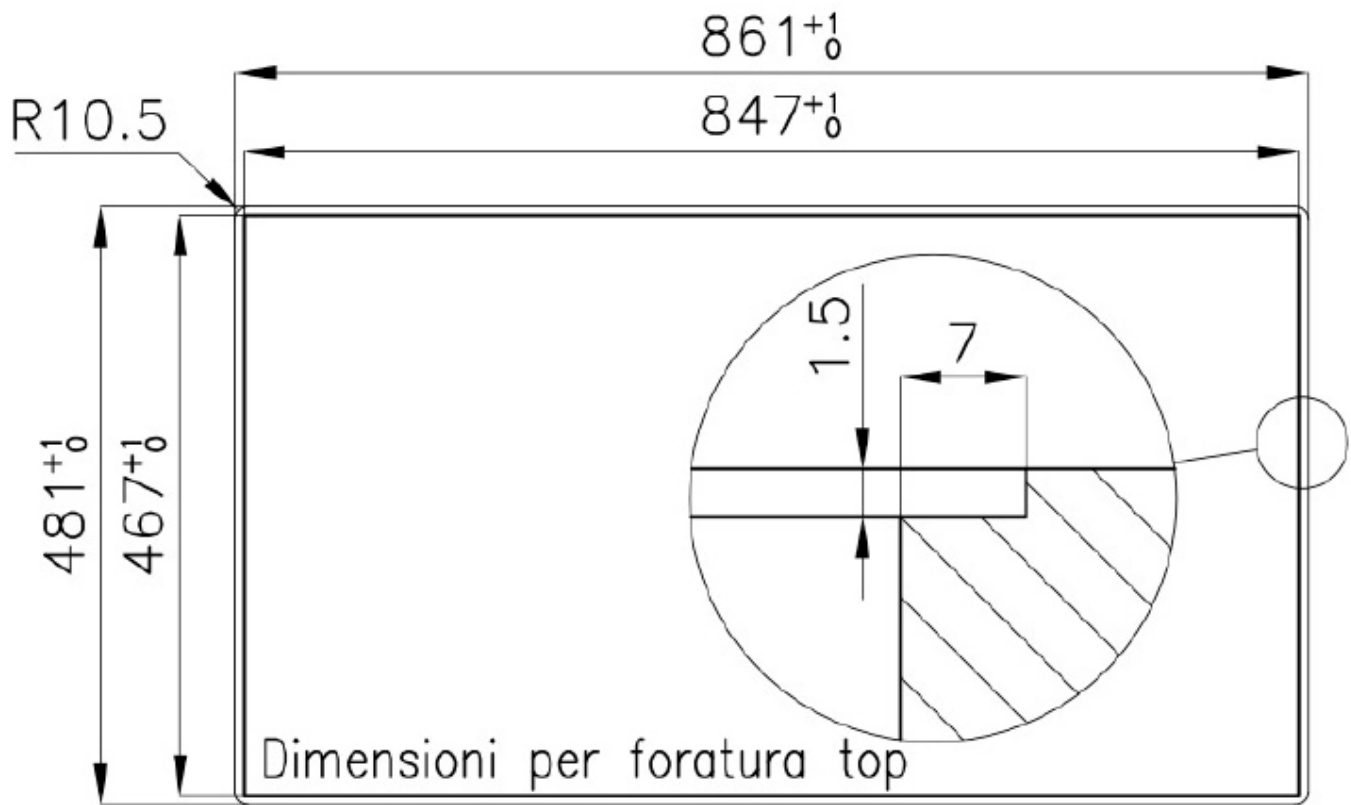
Double mixer hole The large tap counter is already fitted with a series of 2 tap holes. In the second hole it is possible to install the remote control of the automatic drain or, alternatively, a practical soap dispenser.

High thickness 1mm thick steel. A significant thickness, which guarantees the maximum sturdiness and durability.

Inclined recess A deep and inclined recess houses the burners and grigs, allowing to create a single work surface. The inclination also makes it extremely easy to clean the edges.

Perimetral overflow The overflow is always a security on the Foster sinks that prevents the overflow of water in case of oversights. The perimeter drain solution improves aesthetics thanks to its square and essential shape.

Save space system Drain and siphon are designed to leave as much space as possible in the under-sink area, more and more useful today for theseparate waste collection systems.



GALLERY



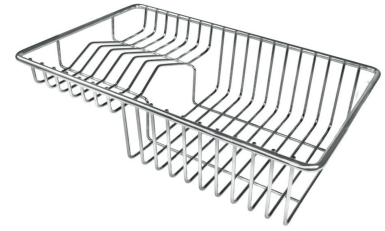
OPTIONAL ACCESSORIES



HPDE twin chopping board 8644 100



Iroko-wood sliding chopping board 8656 001



Stainless steel plate rack 8100 303



Graters kit with ring-holder and food collection tray 8159 101



Stainless steel perforated tray 8151 000