

Sink KE - R15 Vintage Gun Metal 2157 886

Sinks

Code: 2157 886



DETAILS

Coloring Gun Metal

Finish PVD

Material AISI 304 stainless steel

Texture Vintage

Base 45 cm

Edge/Installation Type Undermount

Dimensions 750x440 mm

Standard fittings Fixing hooks, gasket, drain, overflow and siphon, boxed packing

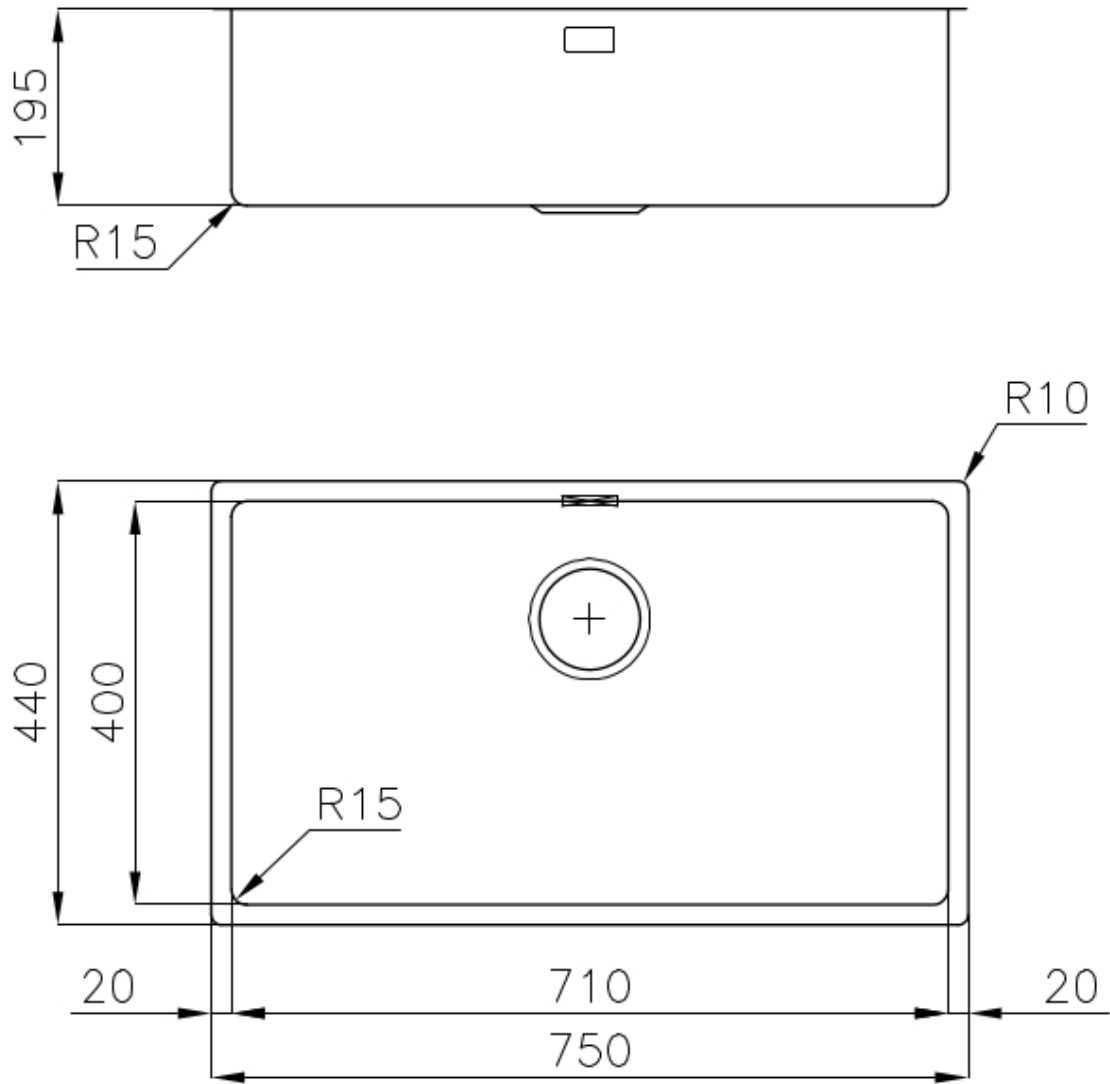
Mixer holes No standard holes

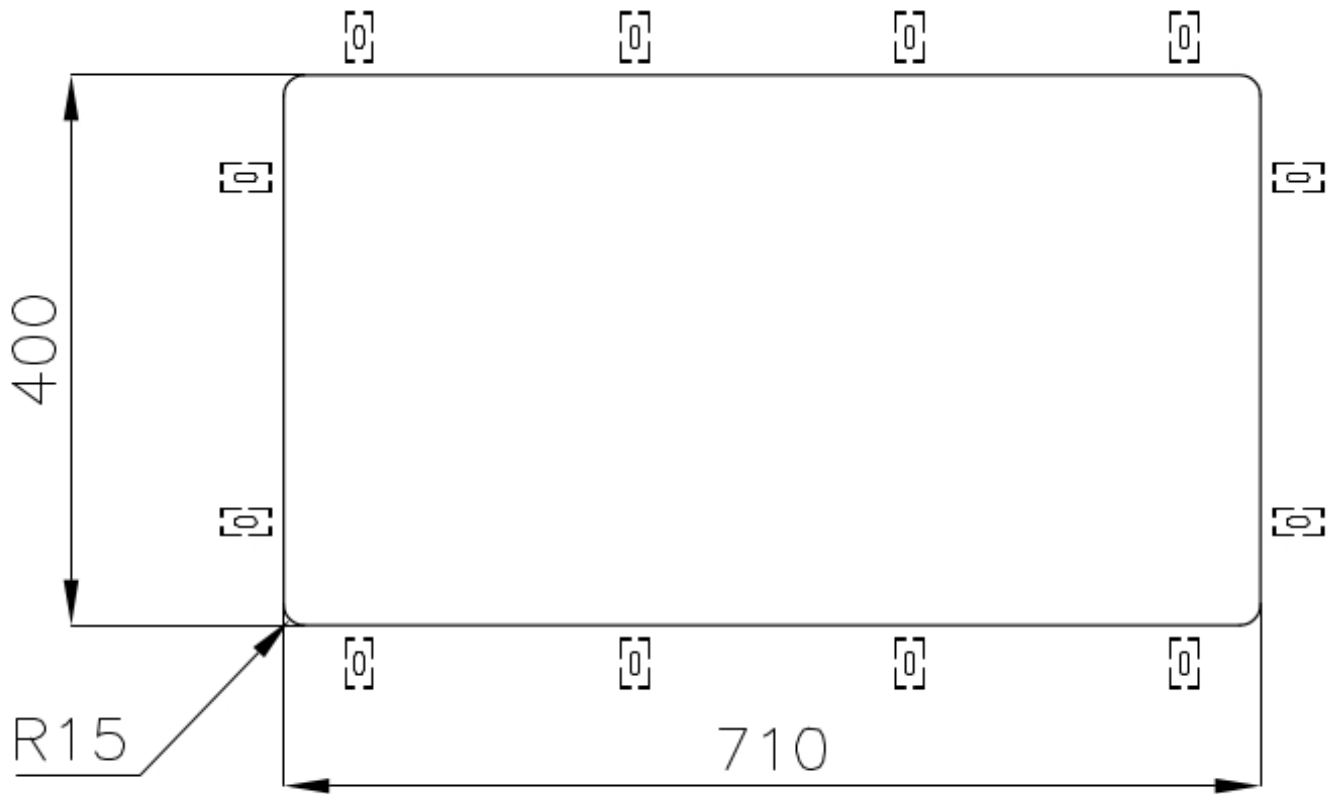
Built-in hole	View technical data sheet (for all Flush-mount / Top-mount models and Under-mount models)
Drainer	No
Width	75 cm
Bowl dimension	710x400mm
Number of bowls	1 bowl
Waste fitting	3,5" drain

FEATURES

VINTAGE PVD	The prestigious PVD finish combines with the care for detail of the Vintage finish, to create a combination of unique elegance.
Gun Metal	The Gun Metal finish is obtained by treating steel with a physical process called PVD (Physical Vacuum Deposition) which deposits particles of noble metals on the surface. The result is a unique and refined aesthetic effect, and an improvement of the mechanical properties of the steel which is more resistant to impact and scratches.
Basket 3,5" waste fitting	The drain is equipped with a large 3.5" drain, with the practical basket cap that prevents the discharge of solid parts. The 3.5 "drain allows the use of the Foster waste-disposer, compatible with all models.
High thickness	1mm thick steel. A significant thickness, which guarantees the maximum sturdiness and durability.
Perimetral overflow	The overflow is always a security on the Foster sinks that prevents the overflow of water in case of oversights. The perimeter drain solution improves aesthetics thanks to its square and essential shape.
Small radius	Bowls with squared shapes with a modern design and an increased capacity, for a minimal aesthetics connected with an extreme practicality.

TECHNICAL DATA





Cut out size
Dimensioni per foratura top

GALLERY



OPTIONAL ACCESSORIES



Cestello inox 8612 000



Glass chopping board 8631 300



HPDE Chopping board 8657 001



HPDE Twin chopping board 8644 101



Iroko-wood chopping board with stainless steel colander 8644 042



Iroko-wood sliding chopping board 8644 041



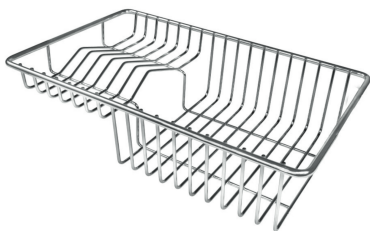
Iroko-wood twin chopping board 8644 004



Stainless steel colander 8154 000



Stainless steel plate rack 8100 154



Stainless steel plate rack 8100 303



White basket 8612 100



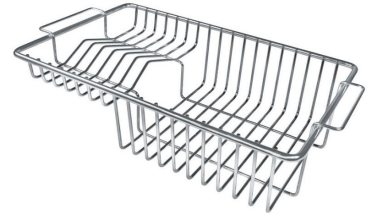
White bowl 8153 100



Graters kit with ring-holder and food collection tray 8159 101



Stainless steel perforated tray 8151 000



Stainless steel plate rack 8100 201

WARNING:

The accessories 8159101, 8100303,8151000 are only usable in combination with 8644101

The accessories 8100154, 8154000 are only usable in combination with 8644004

RECOMMENDED PAIRINGS



Mixer Tap Omega Gun Metal 8497 856



Mixer Tap Skin Gun Metal 8424 856

OPTIONAL AUTOMATIC WASTE FITTINGS



Gun Metal automatic waste fitting 8407 110



Space Push Gun Metal automatic waste fitting 8407 120