

Cooker hob - Modular Induction Plate 7362 305

Cooker hobs

Code: 7362 305



DETAILS

Coloring	White
Material	Ceramic glass
Supply	Single-phase: 230 V; 1P + N; Two-phase 400 V; 2P + N; 50.60 Hz
Edge/Installation Type	Flush-mount Top-mount
Dimensions	Ø 300 mm
Full description	Induction plate ø 300 mm - white - for Modular Induction system
Heating element	single zone
Built-in hole	View technical data sheet (for all Flush-mount / Top-mount models and Under-mount models)
Total power	2.300 (3.000)* W

Power settings 9 power settings per zone + Powerboost

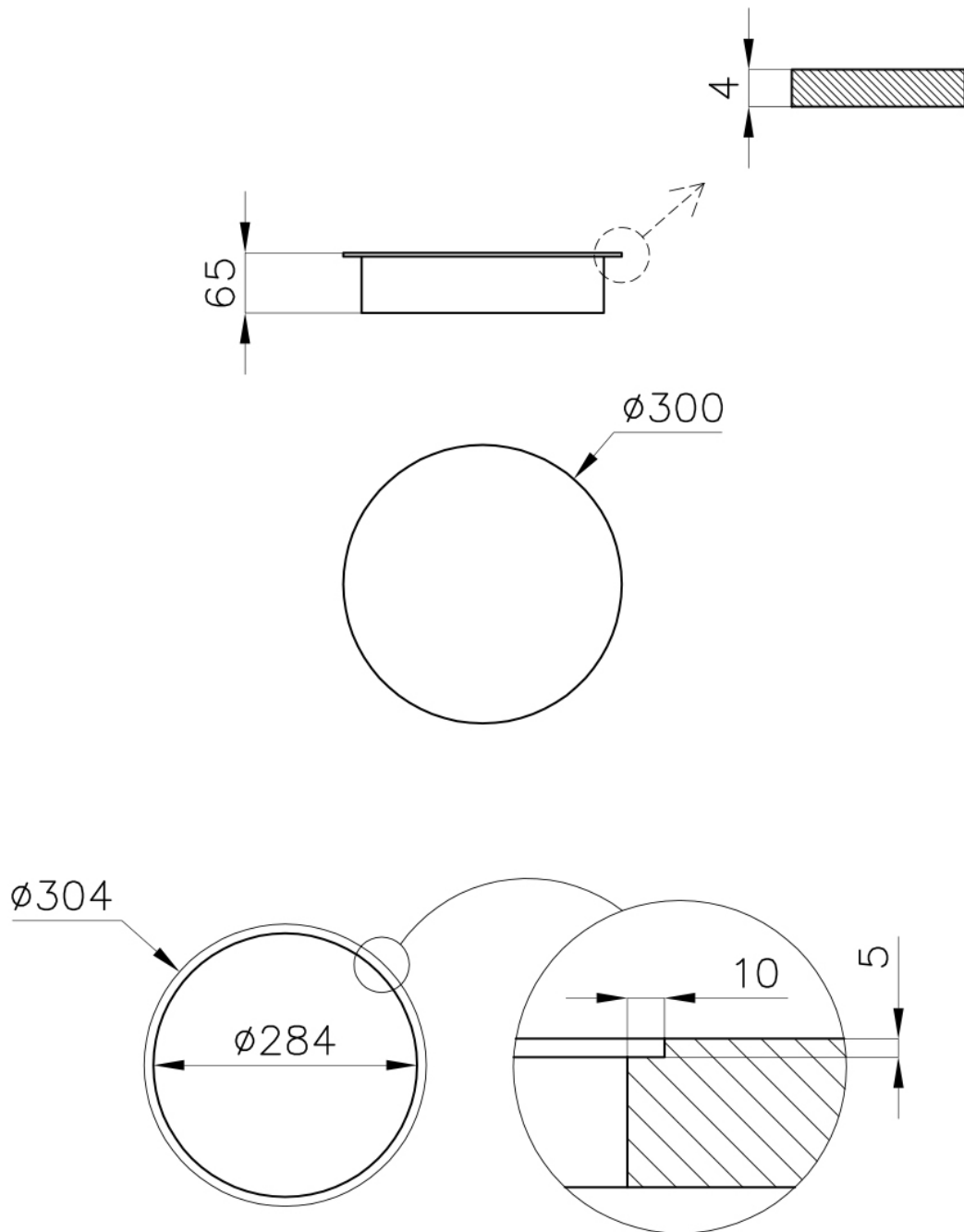
Safety Safety equipment

Type Induction Hob

Type of commands Touch Control

Notes: * Powerboost

TECHNICAL DATA



OPTIONAL ACCESSORIES



Induction Pro - Cookware set -
8pcs 8210 008

RECOMMENDED PAIRINGS



Cooker hob Touch Control
Modular Induction 7368 025



Cooker hob Touch Control
Modular Induction 7368 035



Cooker hob Touch Control
Modular Induction 7368 045



Modular Induction 7369 020 -
Connection Box



Modular Induction 7369 030 -
Connection Box



Modular Induction 7369 040 -
Connection Box