

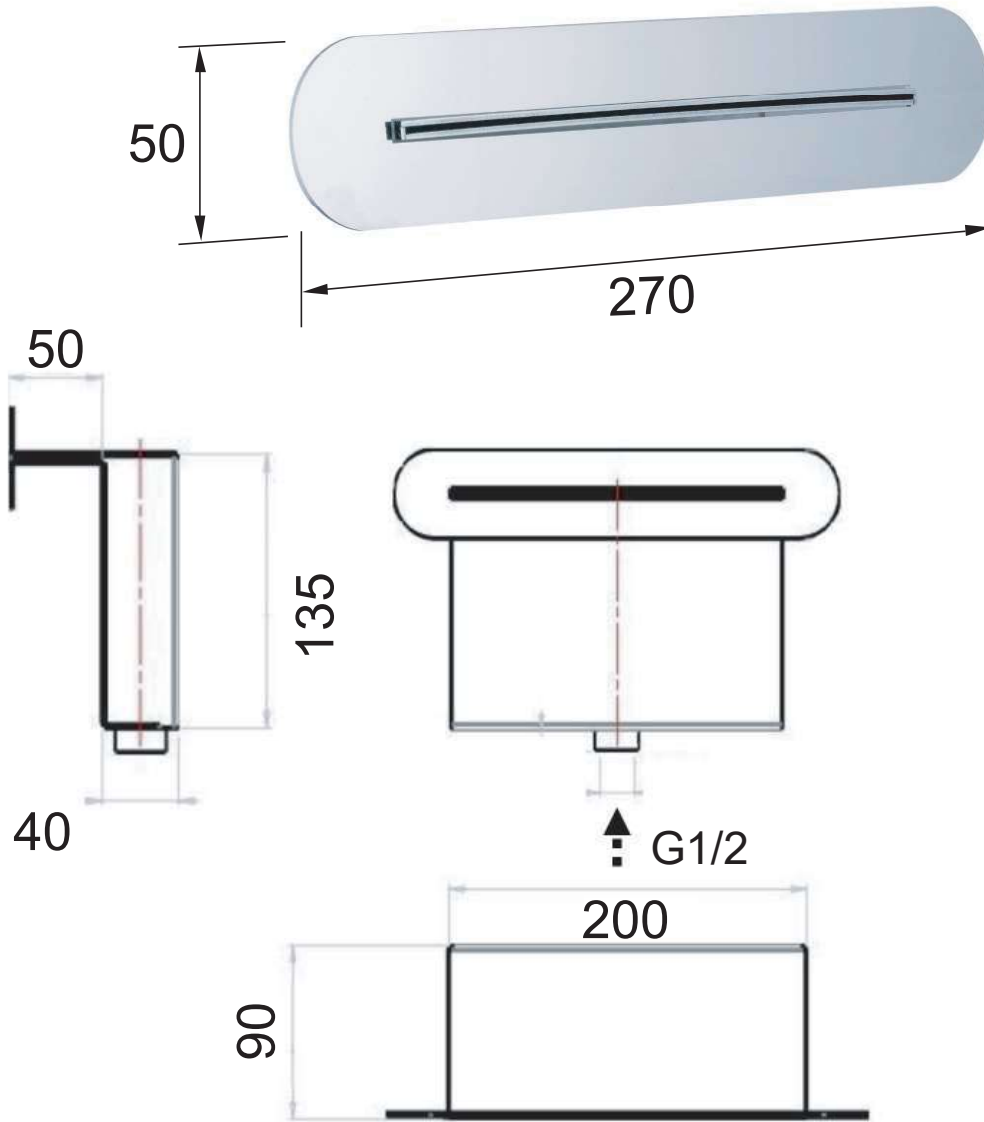


DANIEL

SCHEDA TECNICA TECHNICAL FEATURES

ART. COD.

A594XM



MATERIALI / MATERIALS

ACCIAIO INOX AISI 304 / STANLESS STEEL AISI 304