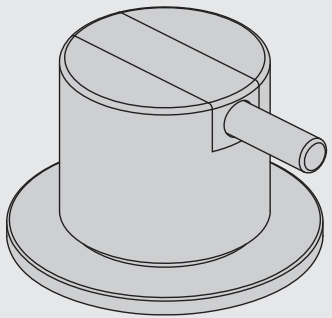


VOLA 500, 590, 500T1  
 VOLA 2500  
 VOLA SC1, SC3, SC5, SC7, SC9, SC10, SC12

Fitting instruction  
 Montageanleitung  
 Monteringsvejledning  
 Monteringsvægledning  
 Montage hanleiding  
 Manuel de montage



**Data, 3 Bar /43.5 Psi:**

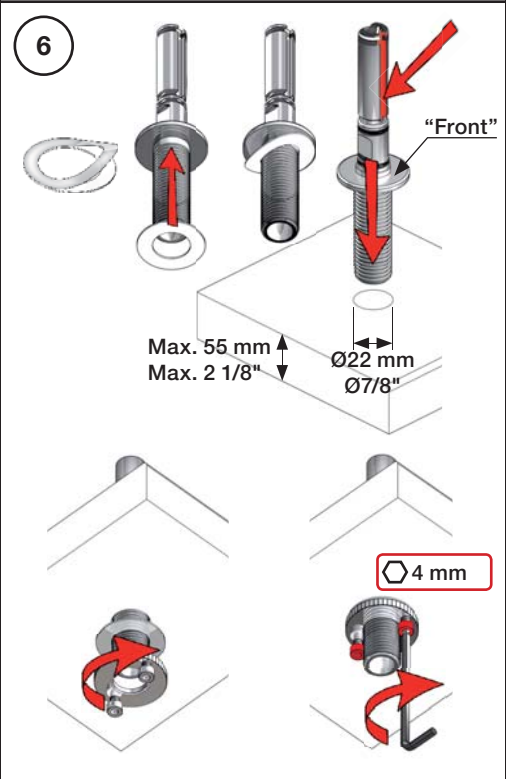
	l/min.	Gal/min.
500:	14,5	3.8
590:	9,0	2.4
500-T1:	11,0	2.9
2500:	18,7	4.9
SC1:	18,7	4.9
SC5, 7:	18,0	4.8
SC9:	11,0	2.9

Max. 65°C, 150°F



www.vola.com  
 500 - 2500\_V9\_40999844



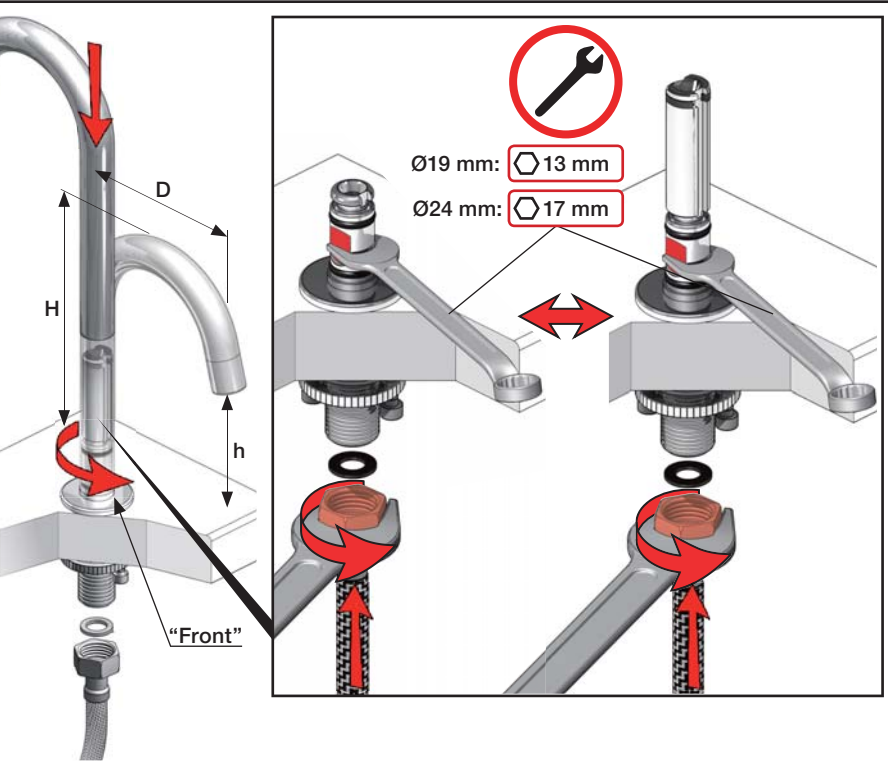


**6A**

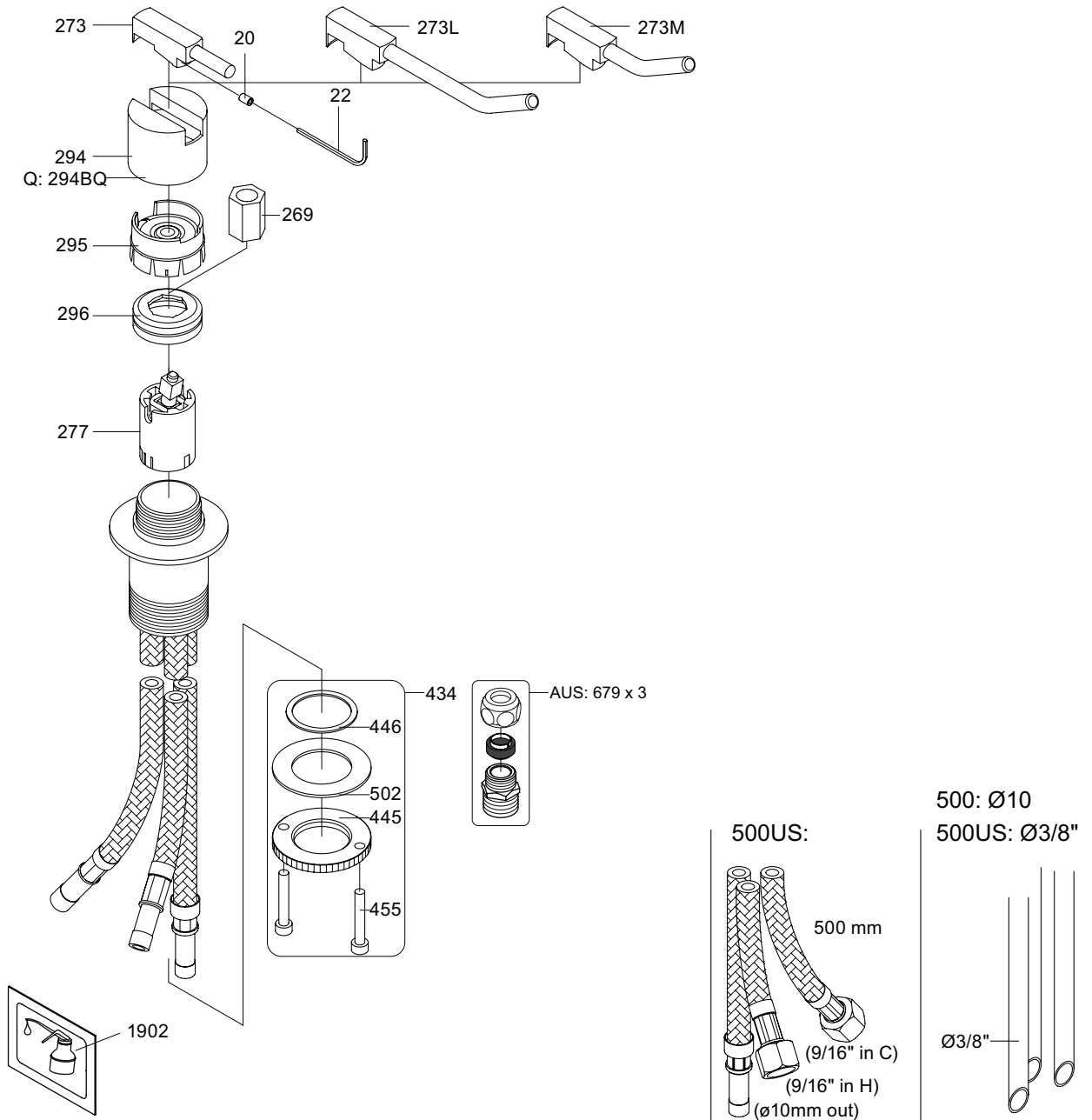
mm:	H	D	h
090	210	200	145
090A	110	85	40
090B	185	100	114
090C	185	100	114
090D	220	200	130
090E	170	200	65
090G	185	140	105
090H	265	230	155
090I	325	230	216
090V	355	145	270

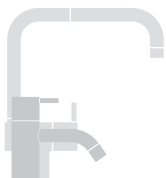
Inches:	H	D	h
090	8 1/2"	8"	5 3/4"
090A	4 1/4"	3 1/2"	1 1/2"
090B	7"	4"	4 1/2"
090C	7"	4"	4 1/2"
090D	8 3/4"	8"	5"
090E	6 3/4"	8"	2 1/2"
090G	7"	5 1/2"	4"
090H	10 1/2"	9"	6"
090I	12 3/4"	9"	8 1/2"
090V	14"	5 3/4"	10 1/2"



500:



- VR277K: VR22, VR269, VR277  
 VR297: VR20, VR22, VR269, VR273, VR277, VR294, VR295, VR296  
 VR434: 2xVR444, VR445, 2xVR455, VR502  
 NR.10: VR20, VR22, VR273, VR294, VR295



**vola**  
 Lunavej 2  
 DK-8700 Horsens  
 Tlf : + 45 7023 5500  
 sales@vola.com  
 www.vola.com

## VOLA 500/M/L

Date  
 Mar. 11

Rev.  
 3

Sheet  
 SB 4.1