

ALLIANCE- Wall hung and removable storage unit

General informations

Extractible hanging flirt with integrated towel rail. Customize the furniture and the towel rack. It consists of 2 removable drawers attached to the front. Incorporates dedicated support for the dryer.

Materials

Sides (thickness = 16mm)

- Glossy white, Glossy gray, Glossy taupe: Laminated particleboard lacquered with ultra-gloss UV polyester paint.

- Natural, Bahia, Sbiancato, Alsace: laminated particle board. PVC song "Testa" with PUR glue

* All panels used in the manufacture of this unit are classed as E-1 grade with low level of formaldehyde content..

*Trim varies according to design: PVC, ABS. (edged with PUR glue)

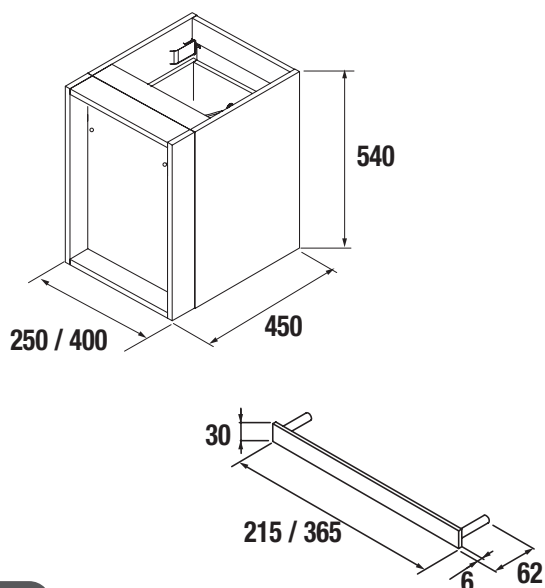
Observations

Combinable with all Salgar modular series

Packaging Dimensions and weight (mm).

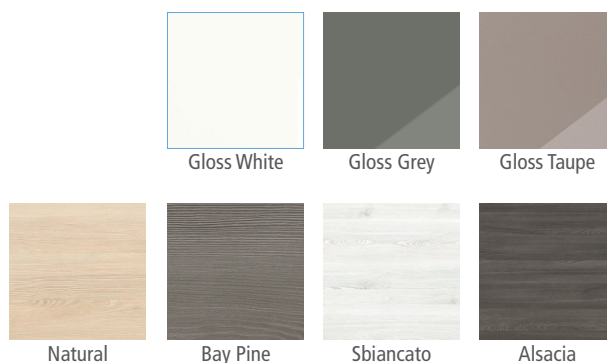
| | | |
|------------------|------|------|
| | 250 | 400 |
| Length mm. | 295 | 445 |
| Depth mm. | 500 | |
| Height mm. | 620 | |
| Net weight Kg. | 10,4 | 13,5 |
| Gross weight Kg. | 12,4 | 14,9 |

Dimensional sketch



It has a circular support to place the dryer.

Auxiliary finish



Finishing handles

