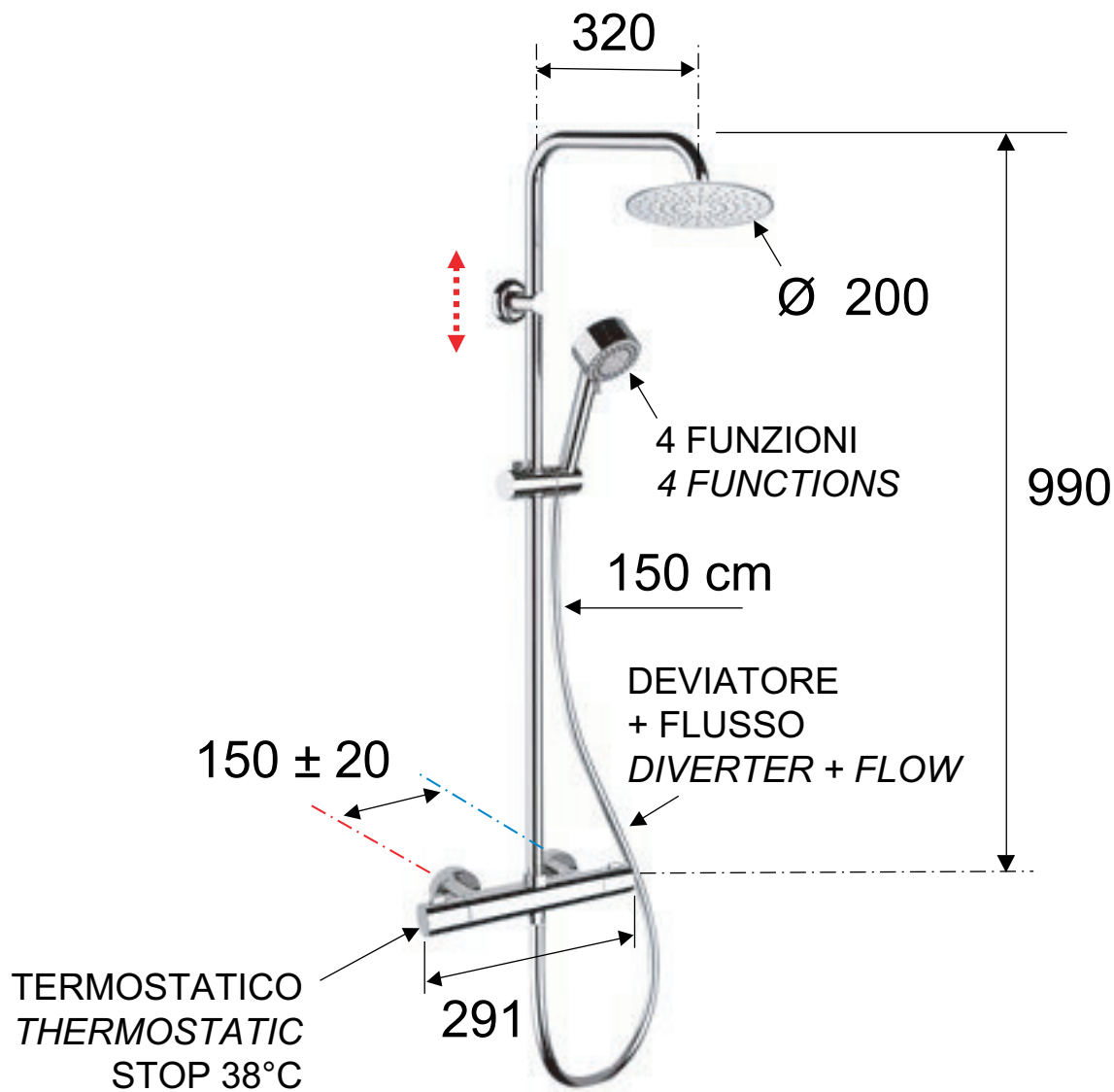




SCHEDA TECNICA TECHNICAL FEATURES

ART. COD.

**XF636XEC20**



### MATERIALI / MATERIALS

OTTONE CROMATO / CHROME PLATED BRASS

ABS CROMATO / CHROME PLATED ABS

ACCIAIO INOX / STAINLESS STEEL

### CROMATURA / CHROME PLATING

UNI EN 248