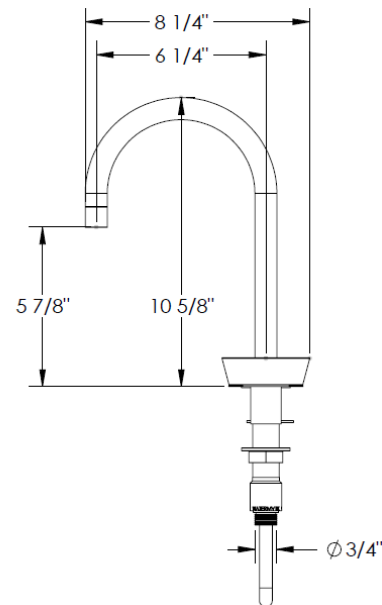
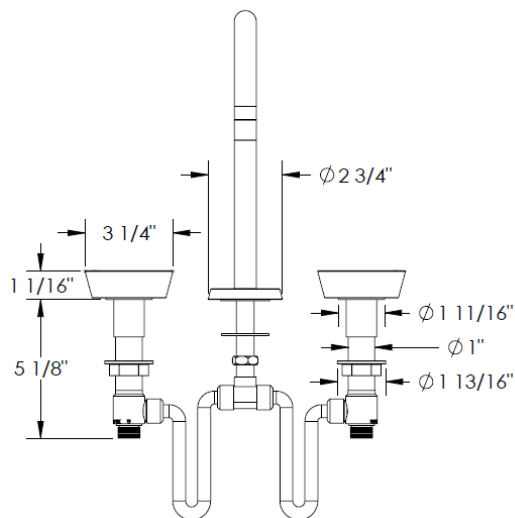


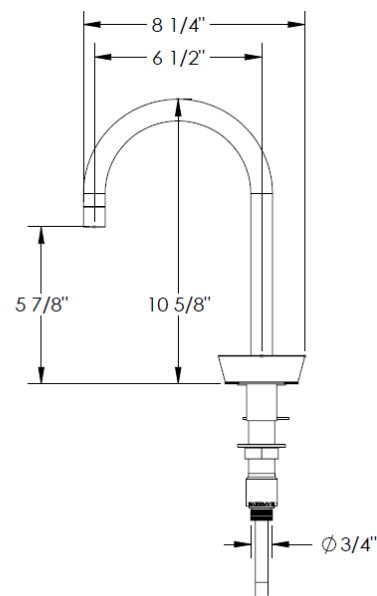
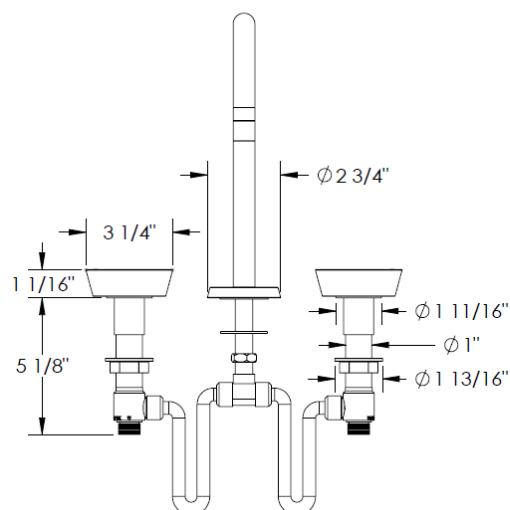
FEATURES

- ¼ turn washerless ceramic disc valve cartridges
- Flexible hose connection for 8" to 16" spread installations
- Flow rate 1.2 gpm (4.5 lpm) maximum flow rate
- Solid brass construction
- Listed by IAPMO, CSA, NSF, and other municipalities
- Warranty:
 - Limited lifetime warranty (residential use)
 - One year (commercial use)
- Shipping weight (lbs.) 10
- Shipping dimensions (in.): 29x12x4

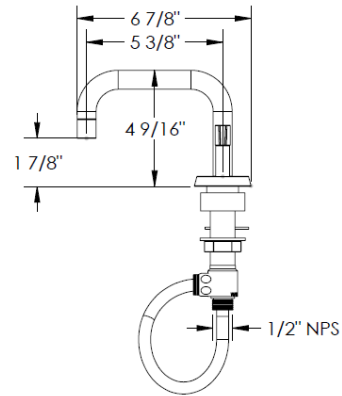
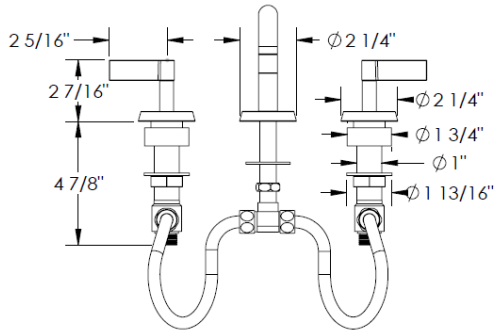
**37-2
(Widespread)**



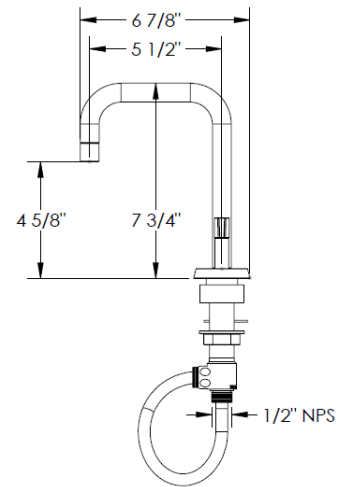
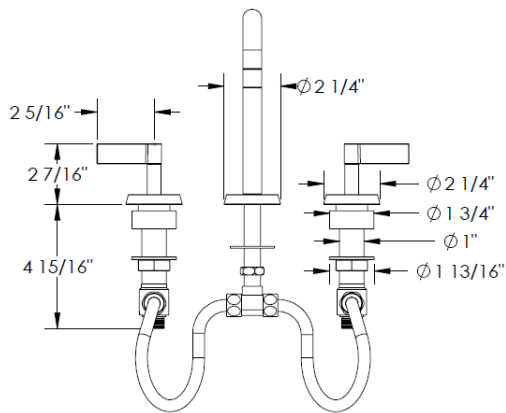
**37-2.1
(Widespread with Gooseneck Spout)**



**37-2.17
(Widespread)**



**37-2.18
(Widespread)**

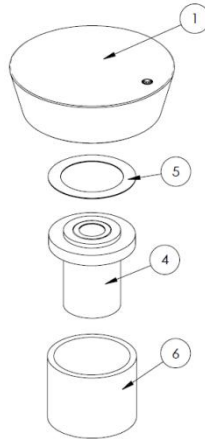


Exploded view diagram of the lavatory set components. The parts are numbered as follows: 1 (Spout), 4 (Aerator shell), 5 (Gasket), 6 (Lock nut), 8 (Tee gasket), 9 (Tee), 10 (Hose shoe washer), 11 (Neoperl PCA PL TT), 12 (Lock nut), 14 (Hose shoe), 15 (Aerator control), 28 (Supply hose), and 30 (Aerator gasket).

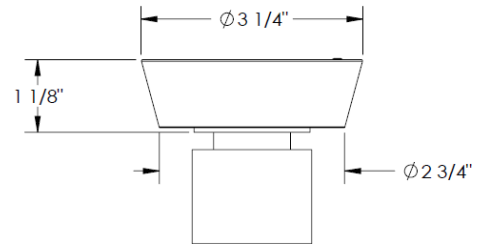
ITEM NO.	PART NUMBER	QTY.
1	22-2-SPOUT	1
4	22-2-AERTR-SHLL	1
5	22-2-1.8IN GASKET	1
6	142-LOCK-NUT	1
8	142-TEE-GSKT	1
9	142-TEE	1
10	142-HRS-SHOE-WSHR	1
11	NEOPERL PCA PL TT	1
12	142-LOCK-NUT	2
14H/14C	SS-502 VALVE BODY	2
15H/15C	SS-502-CTRG	2
28	SUPPLY HOSE	2
30	AERTR-GSKT	1

HANDLE TRIMS

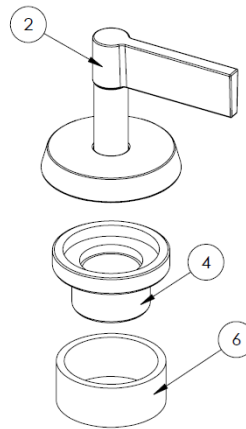
Sky (Code: BL1)



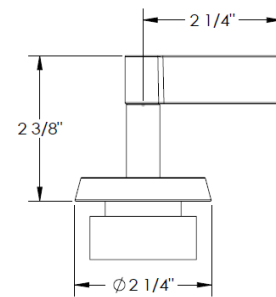
ITEM NO.	PART NUMBER	QTY.
1	BL1-CRSTL-INSRT-(BLUE/RED)	1
4	Top Lock Nut	1
5	Plastic Washer	1
6	Plastic Collar	1



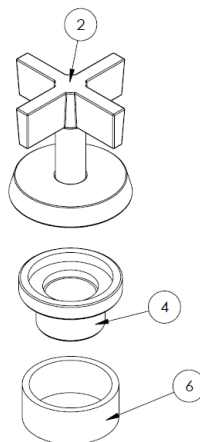
Carribean (Code: BL2)



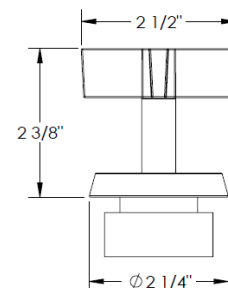
ITEM NO.	PART NUMBER	QTY.
2	SL-LVR	1
4	SL-TOP-LOCK-NUT	1
6	1.75x.125x.72-PLSTC-CLLR	1



Royal (Code: BL3)

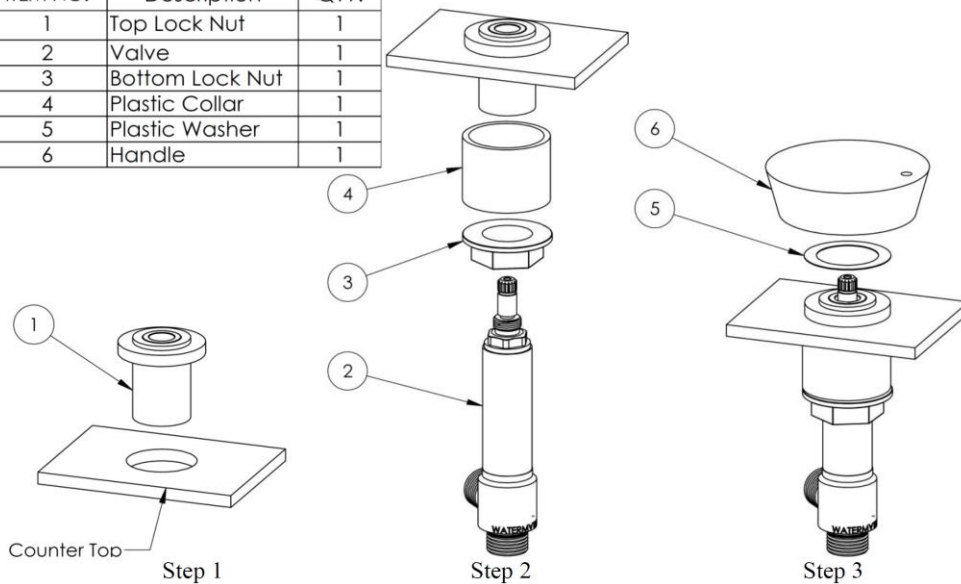


ITEM NO.	PART NUMBER	QTY.
2	SX-CRSS-HNDL	1
4	SL-TOP-LOCK-NUT	1
6	1.75x.125x.72-PLSTC-CLLR	1



Installation Instructions for Deck Mounted Magnetic Handle Trims Including BL1, BZ, ED1, ED2 & ED3

ITEM NO.	Description	QTY.
1	Top Lock Nut	1
2	Valve	1
3	Bottom Lock Nut	1
4	Plastic Collar	1
5	Plastic Washer	1
6	Handle	1



1. Place the Top Lock Nut (1) through the top of the counter.
2. To tighten the Valve (2) onto the counter top:
 - a. Screw Bottom Lock Nut (3) onto the Valve (2) about 1 ½" so it is out of the way.
 - b. Place the Plastic Collar (4) onto the Valve (2) and allow it to rest on the Bottom Lock Nut (3).
 - c. Screw Valve (2) into the Top Lock Nut (1) until it stops. Do not tighten.
3. To attach the Handle (6):
 - a. Check if the Plastic Washer (5) has been installed on the Handle (6). If it has not been installed, place the Plastic Washer (5) on the top of the Top Lock Nut (1) and make sure it is in line with the Top Lock Nut (1).
 - b. Place the Handle (6) on the Valve (2). The magnets will hold the Handle (6) down. There is no need for additional fastening.
 - i. For the BZ-TRIM, hold the valve from the bottom and loosen the Top Lock Nut (1) until the Handle (6) is sitting on the Top Lock Nut (1).
 - c. Tighten the Bottom Lock Nut (3) to hold the Valve (2) in place.

IMPORTANT INSTALLATION INFORMATION

- USE TEFLON TAPE OR PIPE SEALANT FOR THREADED CONNECTIONS
- DO NOT USE PLUMBER'S PUTTY ON ANY OF THE BRASS COMPONENTS
This will cause the finish to tarnish and void the warranty. A non-corrosive Alkoxy Silicone is recommended.
- DURING SWEATING OF LINES DO NOT OVERHEAT CASTING
Overheating may cause damage to internal mechanism
- COPPER ADAPTORS MAY BE REQUIRED TO COMPLETE YOUR INSTALLATION

For technical support, please call 718-257-2800