

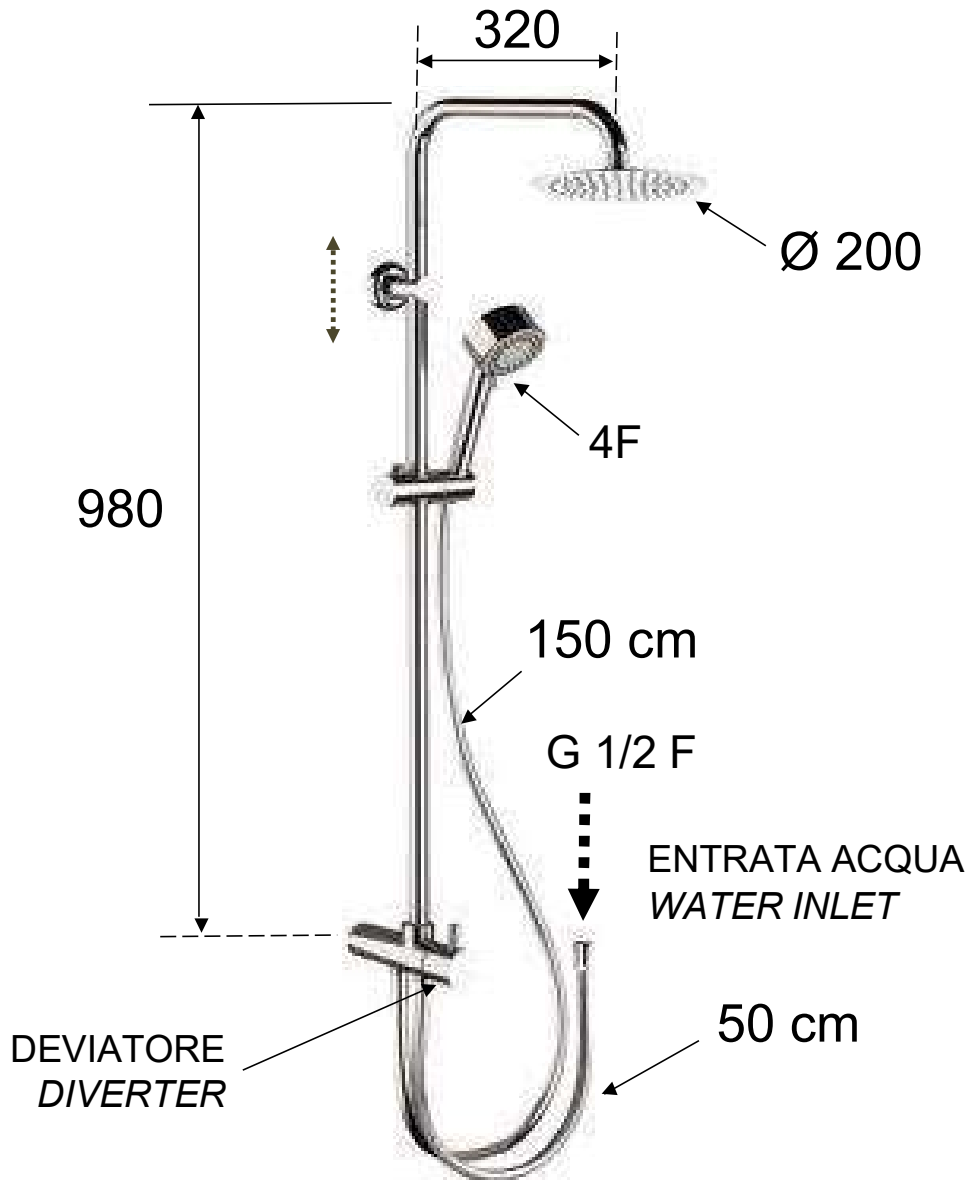


**DANIEL**

SCHEDA TECNICA TECHNICAL FEATURES

ART. COD.

**A20243478207SU**



**MATERIALI / MATERIALS**

OTTONE CROMATO / CHROME PLATED BRASS

ACCIAIO INOX / STAINLESS STEEL - ABS

**CROMATURA / CHROME PLATING**

UNI EN 248