

**IMPORTANT:**  
Please read the complete instructions before commencing fitting.

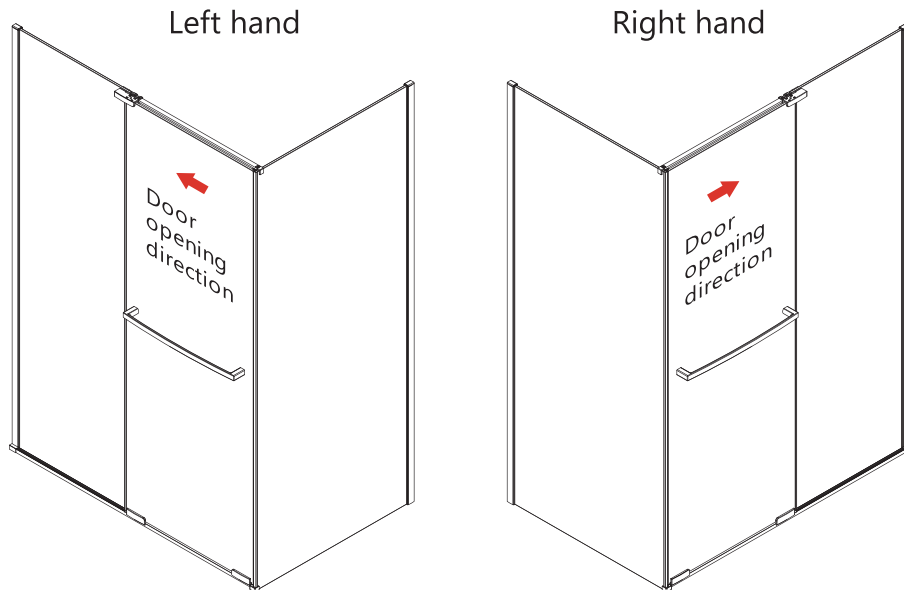
# Installation Guide

## Reversible Sliding door with Side panel

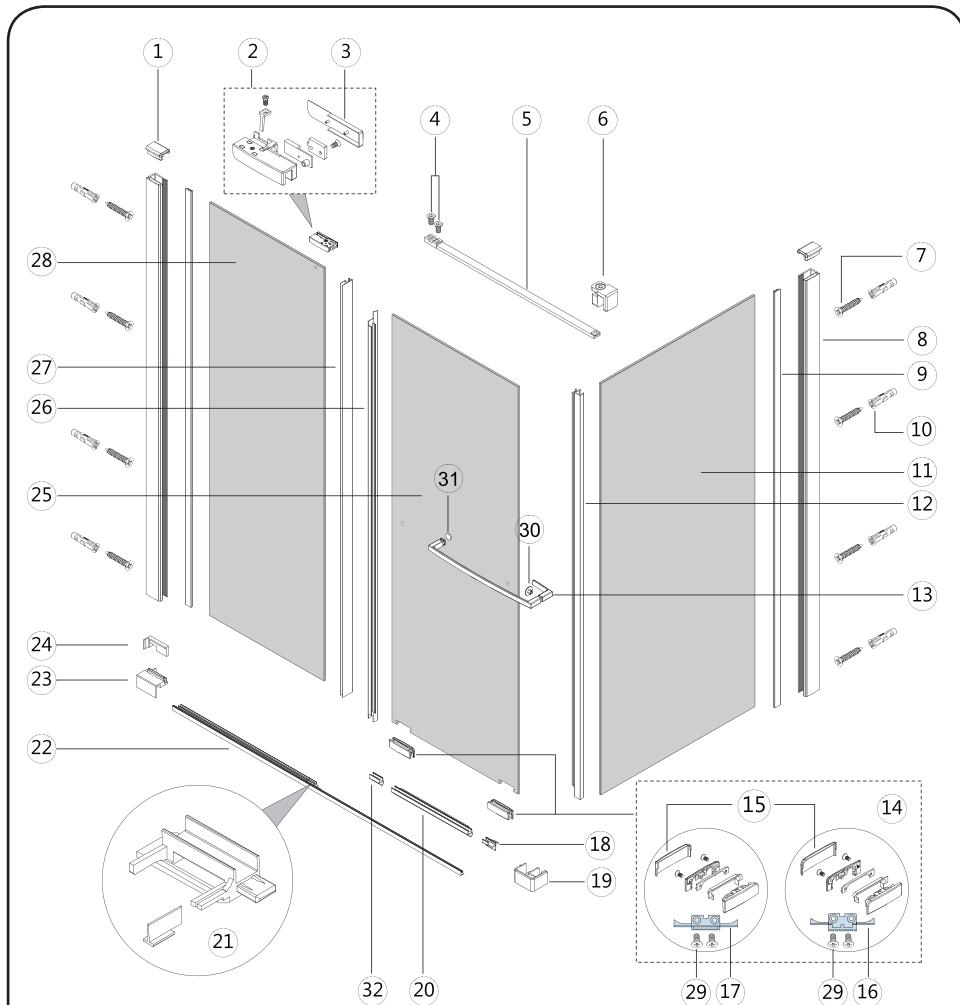
Make sure the tray is 100% level in all directions. Do Not attempt to install the product unless you can tick all 4 boxes satisfactorily.

- Check that you have the tools required
- Check the installation site is compatible with the sizes of door supplied
- Check all the enclosure components are present
- Check the installation kit is complete

The wall plugs supplied with the installation kit are for use in solid walls. Hollow or 'stud partition' walls will require alternative fixings. Please consult a hardware supplier for the correct type. It may also be necessary to consult your tiling supplier about the correct method for drilling your tiles.

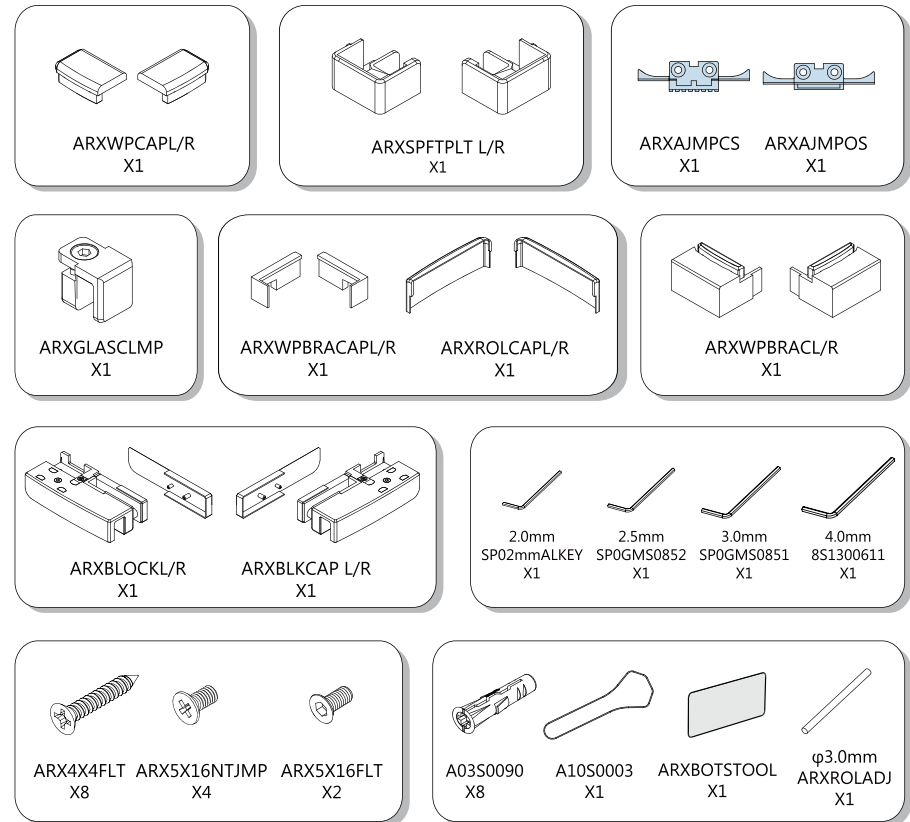


**ATTENTION: TAKE EXTREME CARE WHEN HANDLING GLASS, WEAR PROTECTIVE EYEWEAR AND CLOTHING. DO NOT LEAVE THE GLASS ON HARD SURFACES AND AVOID CONTACT BETWEEN THE GLASS EDGES AND HARD SURFACES OR IMPACTS DURING THE INSTALLATION.**

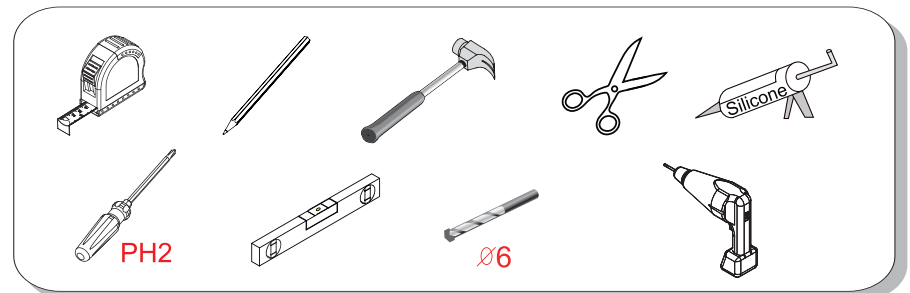


No.	QTY	Descriptions	Code	No.	QTY	Descriptions	Code	No.	QTY	Descriptions	Code
1	2	Wall profile top cover cap	ARXWPCAPL/R	12	1	Corner seal	ARXSPSEAL	23	1	Wall profile bottom bracket	ARXWPBRACL/R
2	1	Top guide block	ARXBLOCKL/R	13	1	handle	ARX-HDL	24	1	Wall profile inspection cap	ARXWPBRACAPL/R
3	1	Top guide block cover cap	ARXBLCAPL/R	14	2	Roller set	ARXROLSETL/R	25	1	Moving panel	B
4	2	M5x16 screw for top guide	ARX5X16FLT	15	2	Roller cover cap	ARXROLCAPL/R	26	1	Moving panel seal	ARXMPSEAL
5	1	Support bar	ARXINBAR	16	1	Roller anti jump for closing side	ARXAJMPCS	27	1+1	Fixed panel seal	ARXFPSEAL ARXFPSEALSM
6	2	Side panel clamp	ARXGLASCLMP	17	1	Roller anti jump for opening side	ARXAJMPOS	28	1	Fixed panel	C
7	8	ST4*40 flat head screw	ARX4X4FLT	18	1	Bottom closing side seal	ARXSMLBSCSL/R	29	4	M4x6 screw for roller anti-jump	ARX5X16NTJMP
8	2	Wall profile ( in recess / side panel )	ARXSTDWP	19	1	Side panel corner bracket	ARXSPFTPLT L/R	30	1	Handle knob small cover cap	ARXSHDLCAP
9	2	Wedge gasket for recess / side pane	ARXWEDGE	20	1	Bottom seal	E	31	1	Handle clear dot	ARXHLDLDT
10	8	6MM wall plug	A03S0090	21	1	Bottom bridge bracket	ARXBDGBRACL/R	32	1	Small bottom closing side seal for closing side / side panel	ARXSMLBSSP
11	1	Side panel	A	22	1	Bottom track set - include seal and other parts	D				

## Fixing Kit Components



## Tools required



**1**

Ensure the shower tray is level in all directions and is properly sealed to the wall. The wall must be tiled down to the top edge of the tray.

Do not angle out bottom tile.  
TRAY MUST BE LEVEL IN ALL DIRECTIONS!

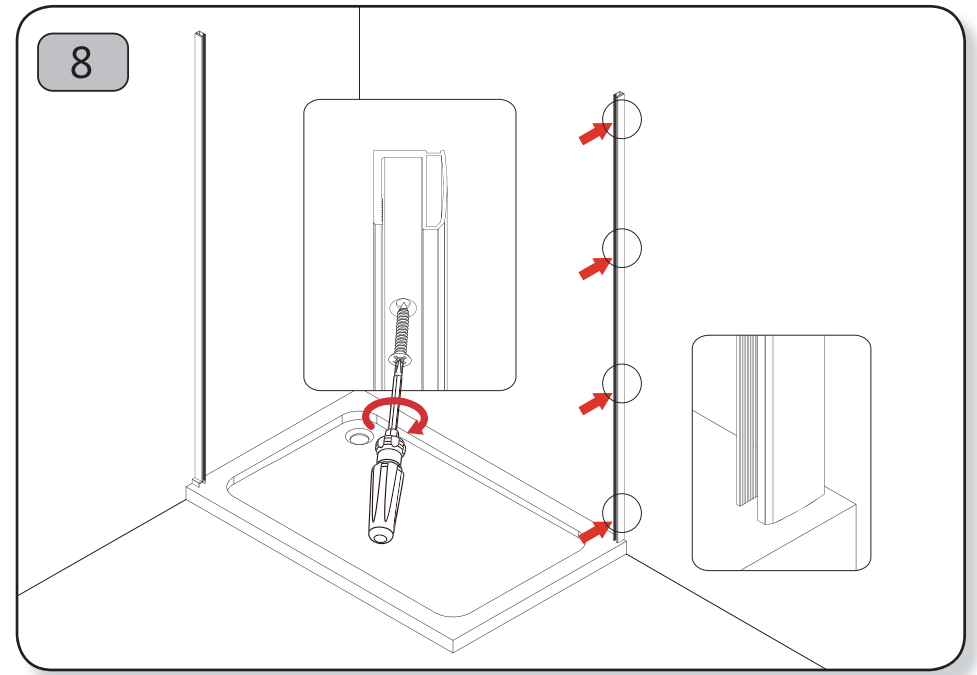
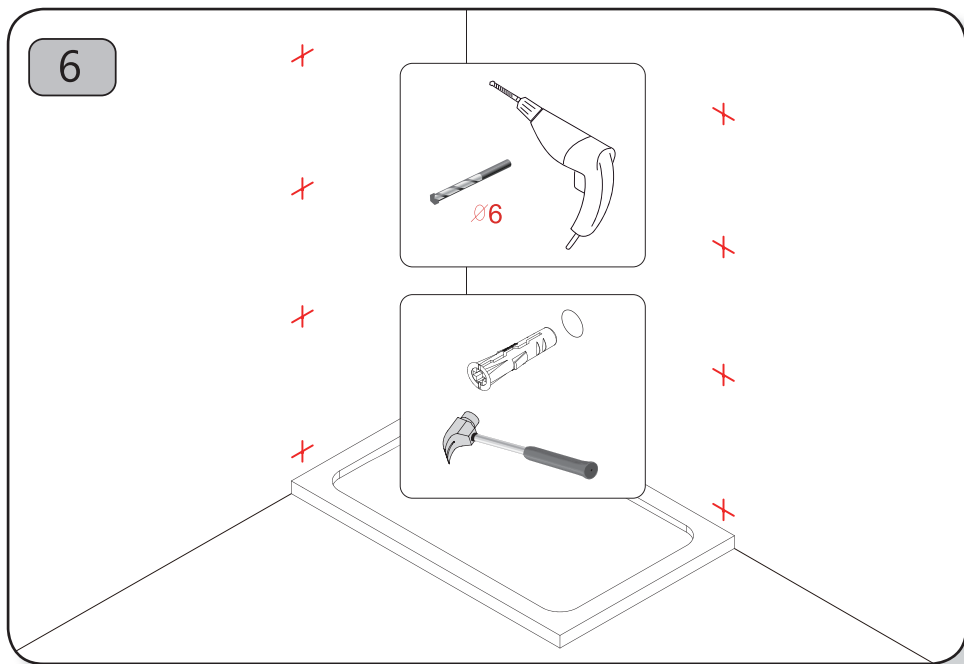
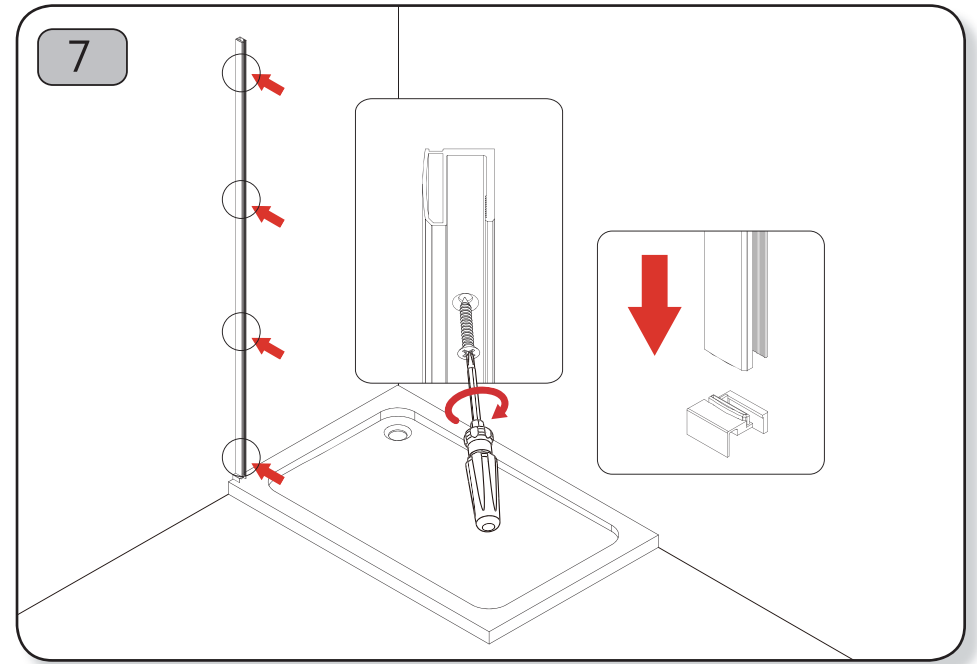
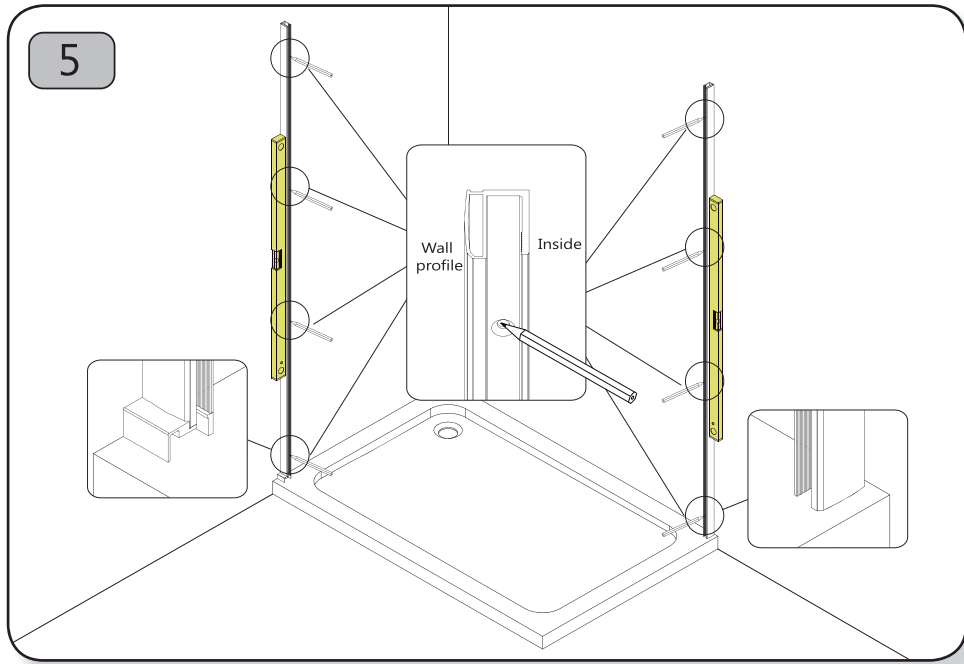
TRAY MUST BE SEALED FULLY AROUND WHERE THE TRAY MEETS THE WALL.

**3**

**2**

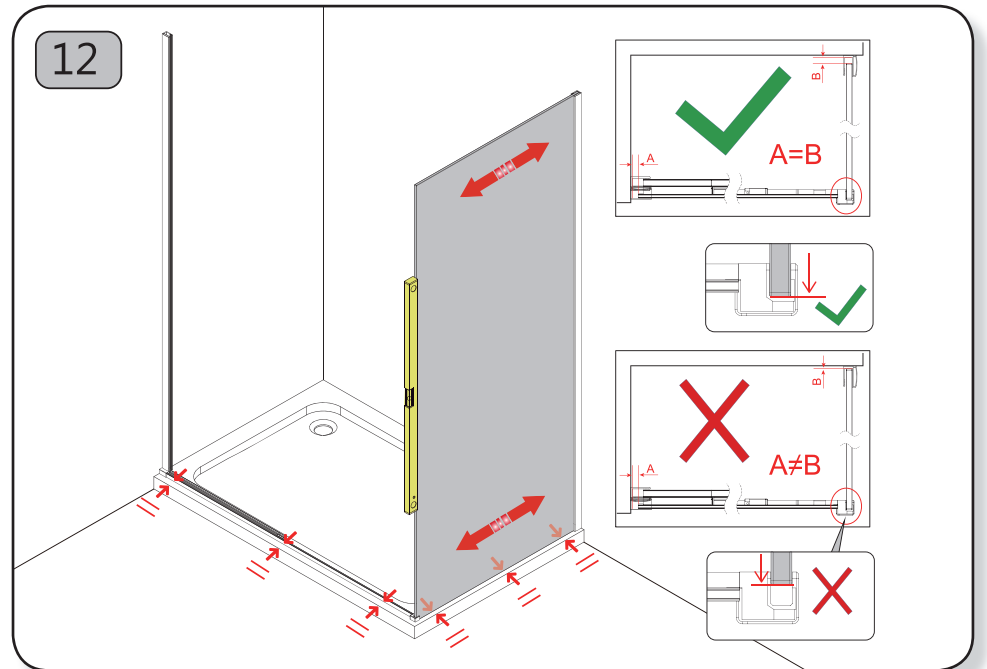
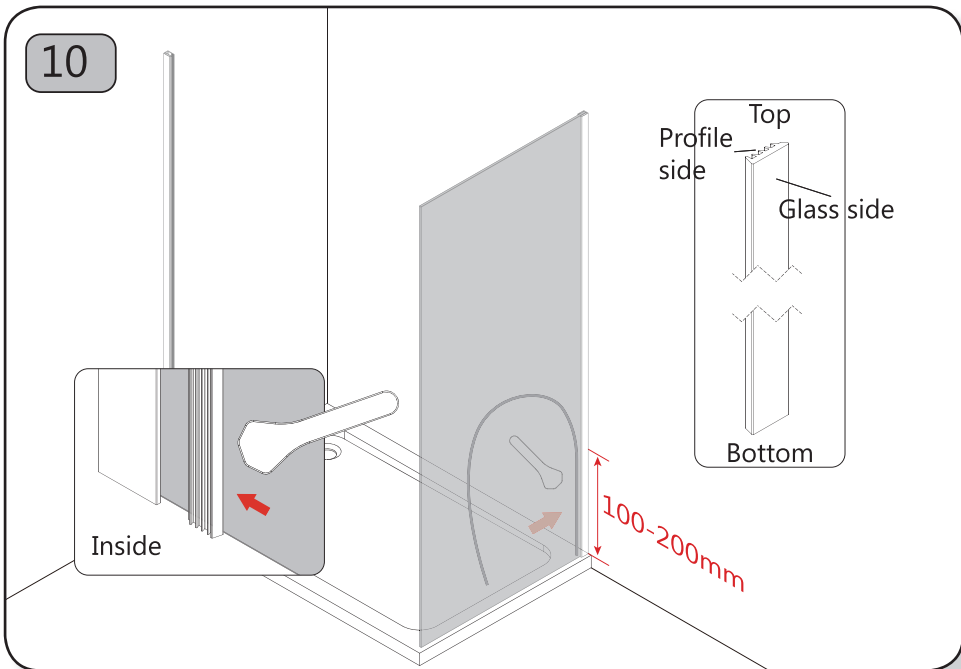
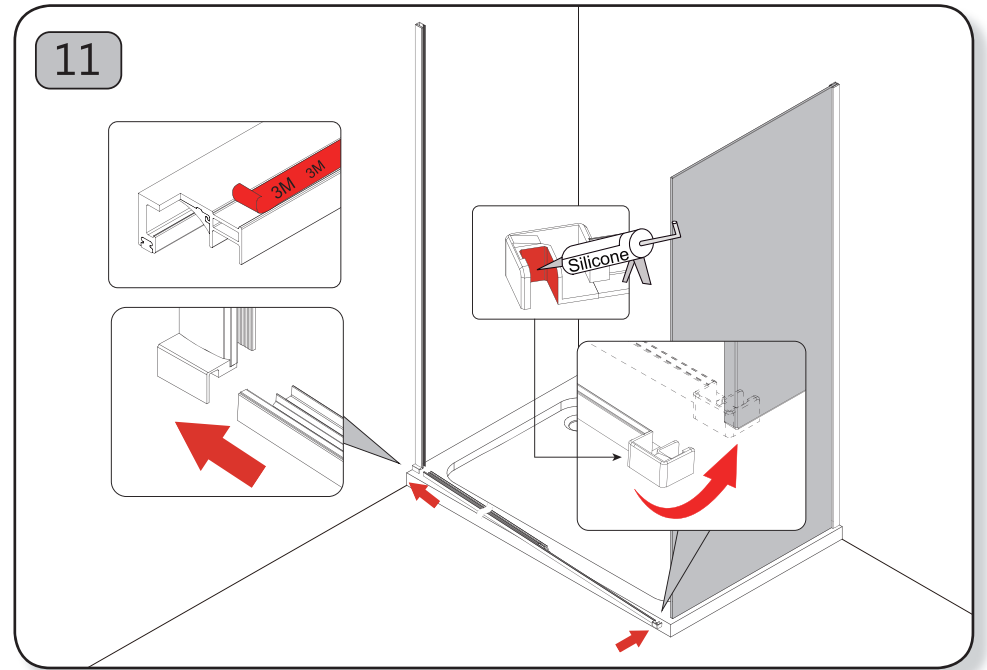
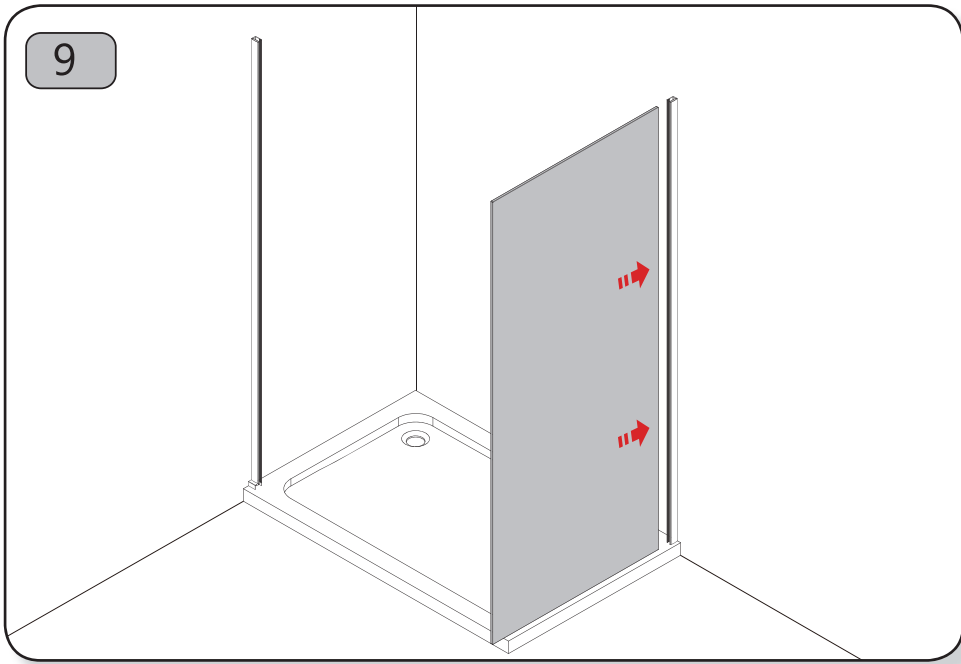
Size	X	Y
700	N/A	670-690
760	N/A	730-750
800	N/A	770-790
900	N/A	870-890
1000	965-985	970-990
1100	1065-1085	N/A
1200	1165-1185	N/A
1300	1265-1285	N/A
1400	1365-1385	N/A
1500	1465-1485	N/A
1600	1565-1585	N/A
1700	1665-1685	N/A
1700	1765-1785	N/A

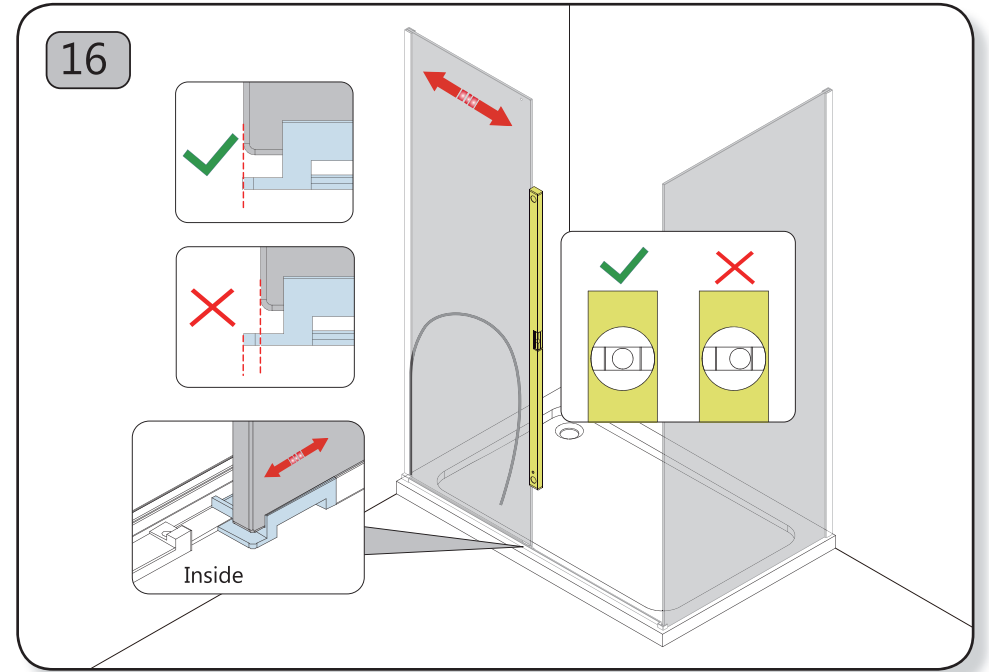
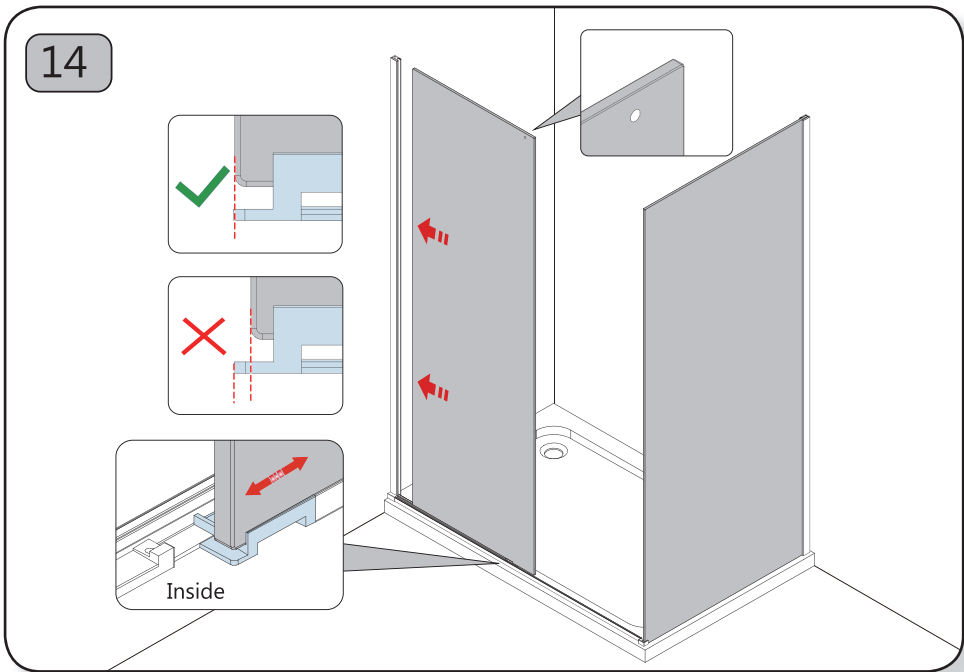
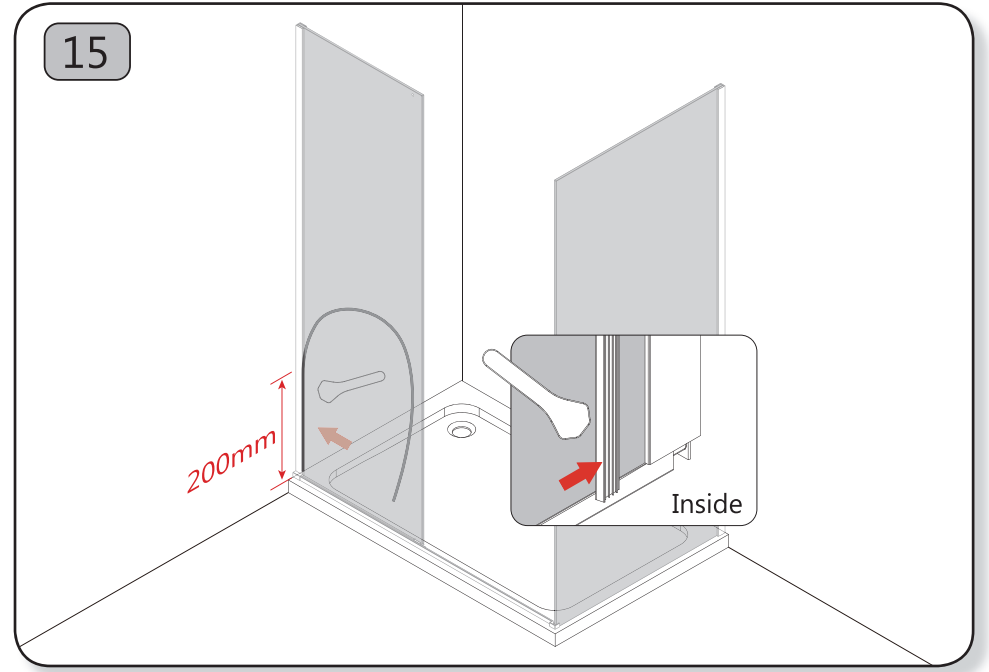
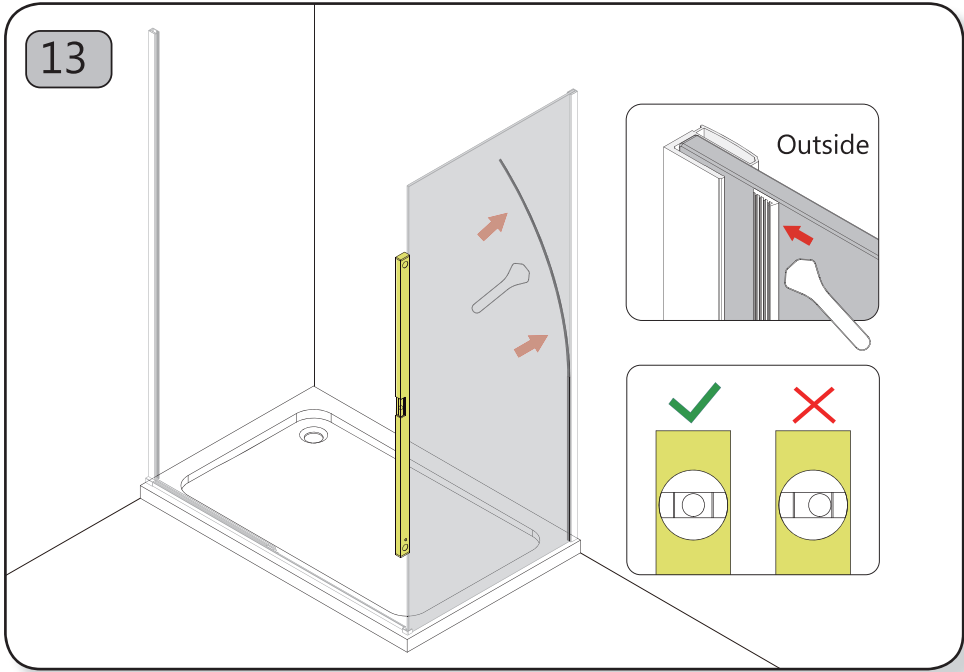
**4**

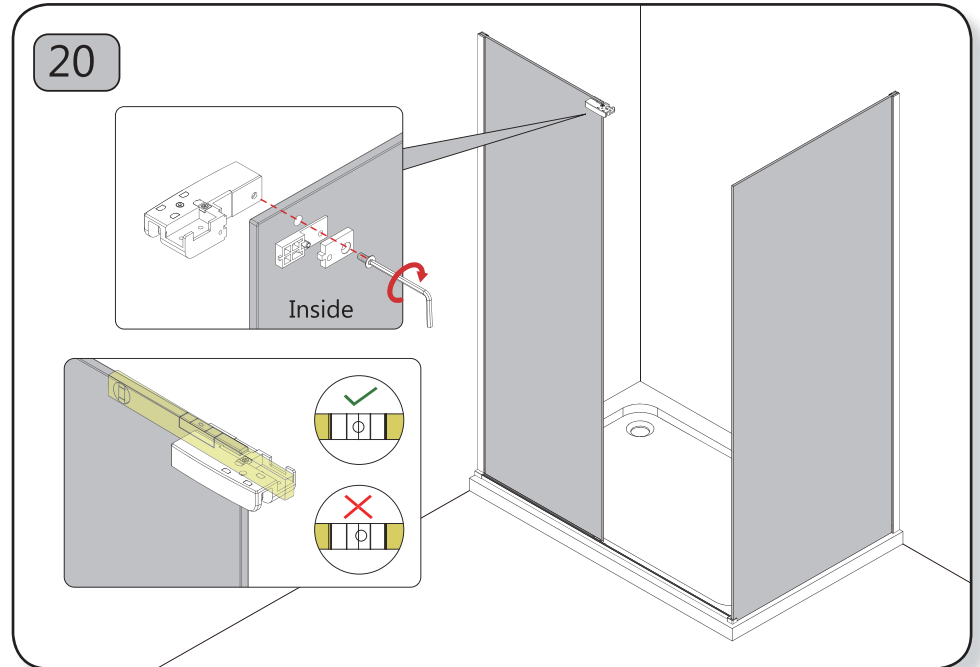
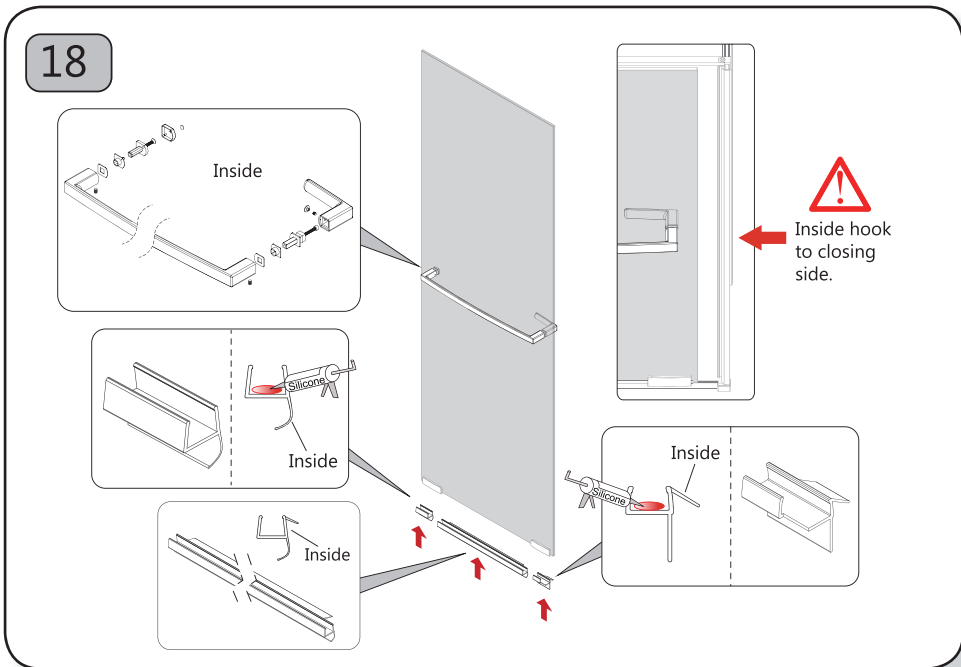
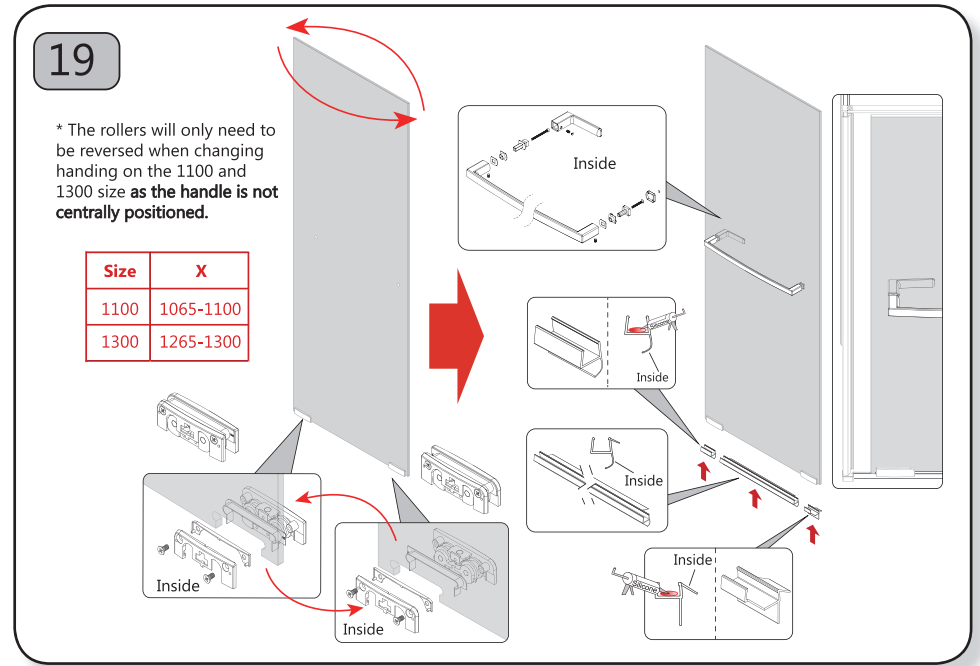
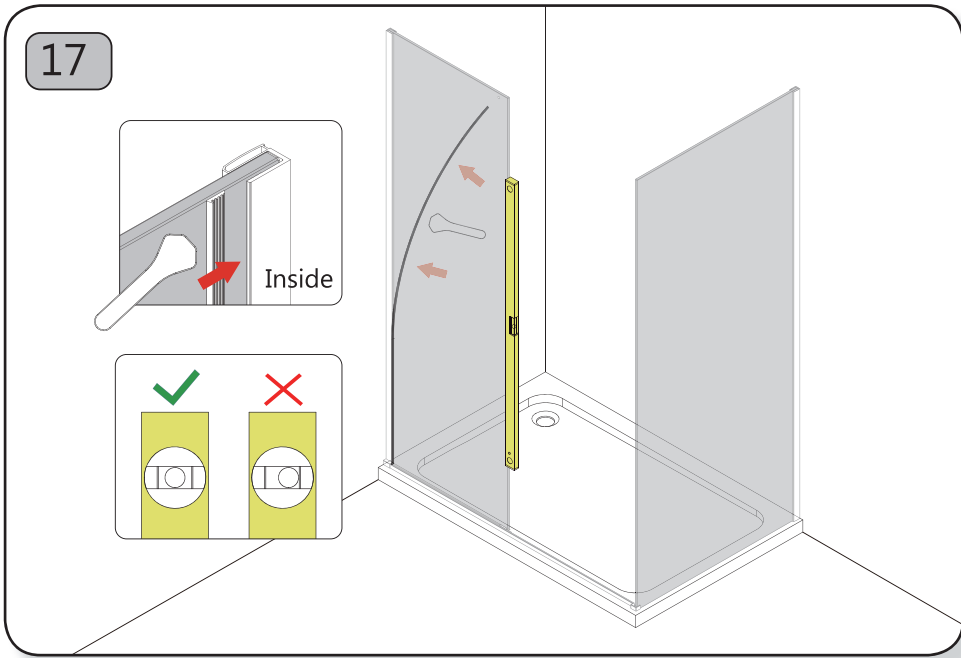


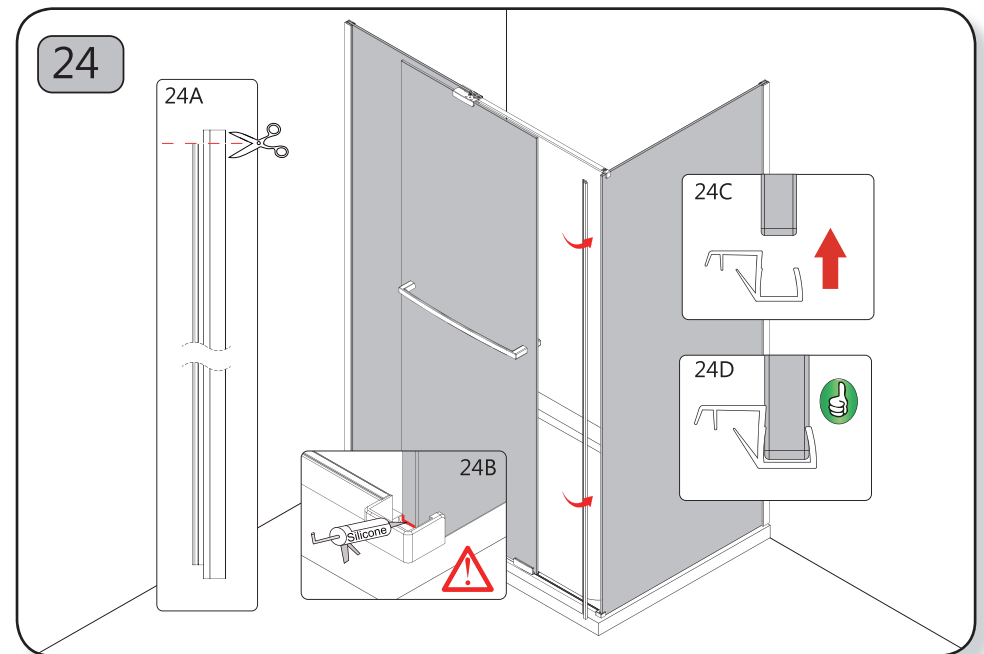
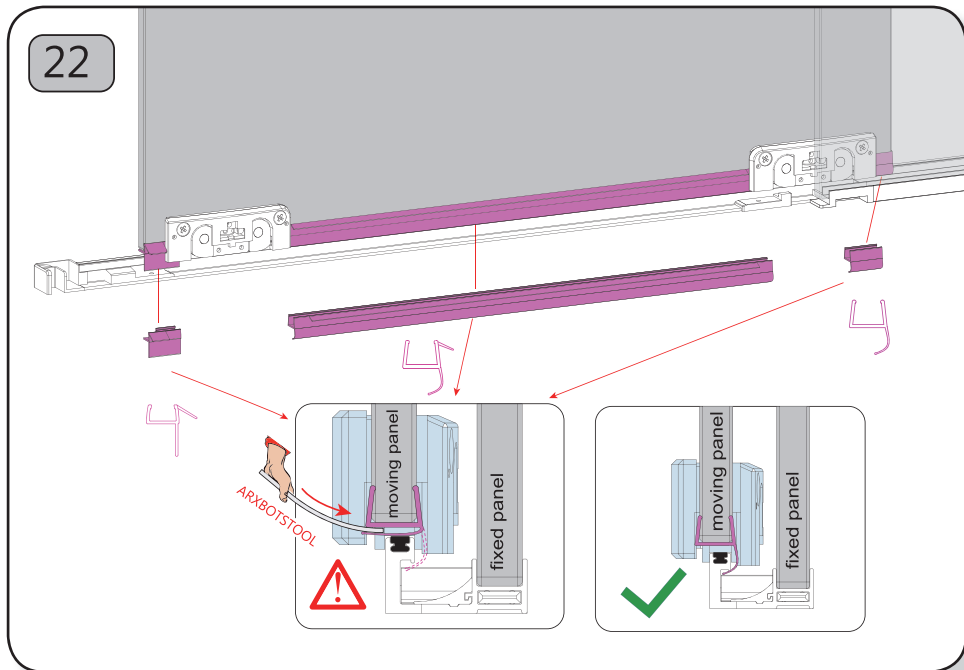
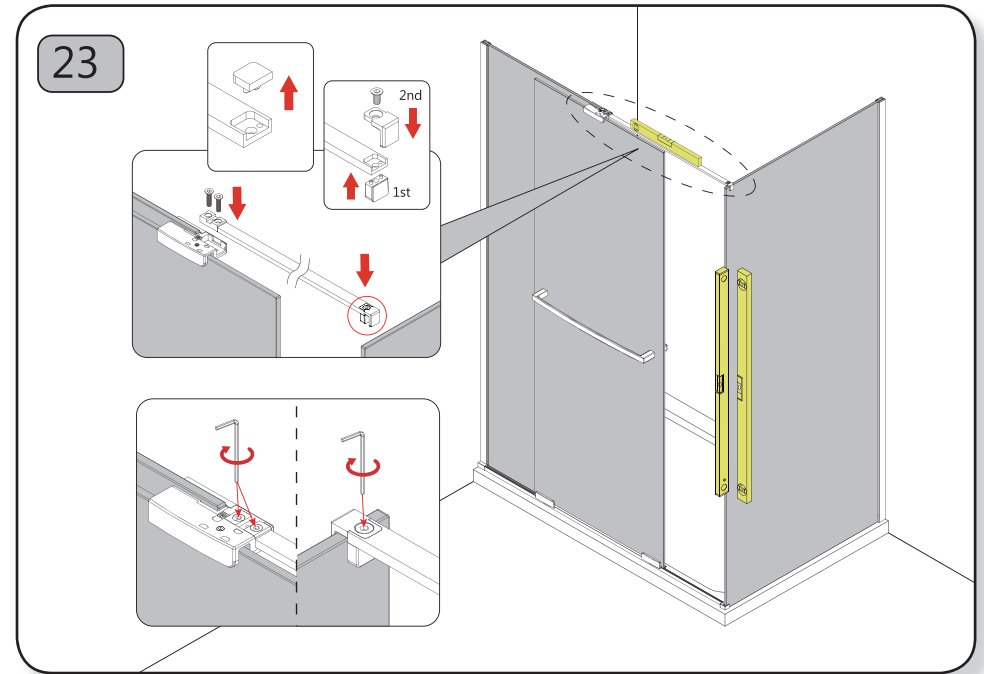
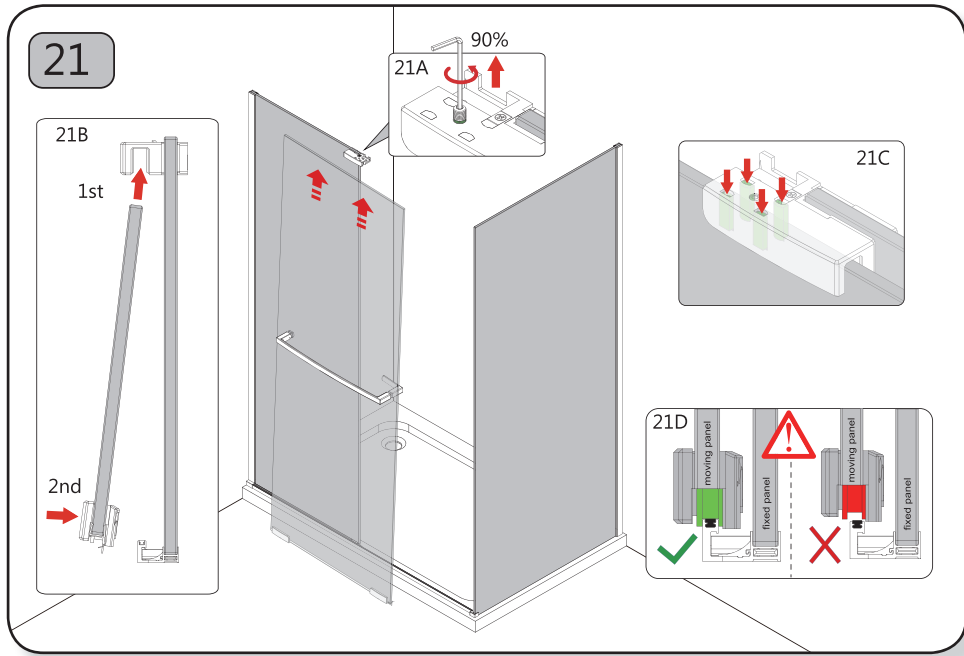
6.

7.

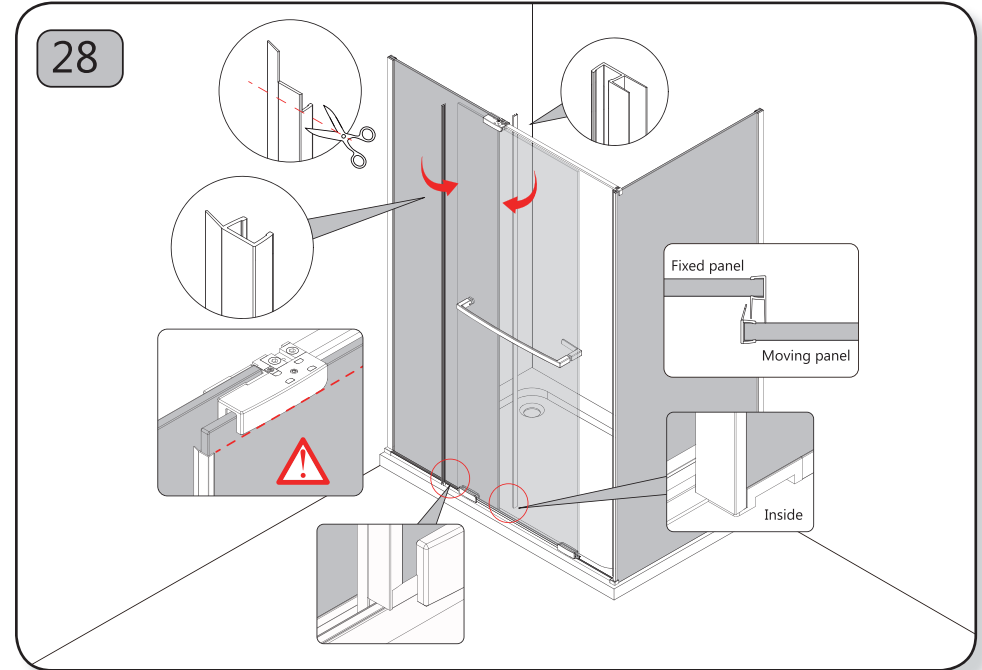
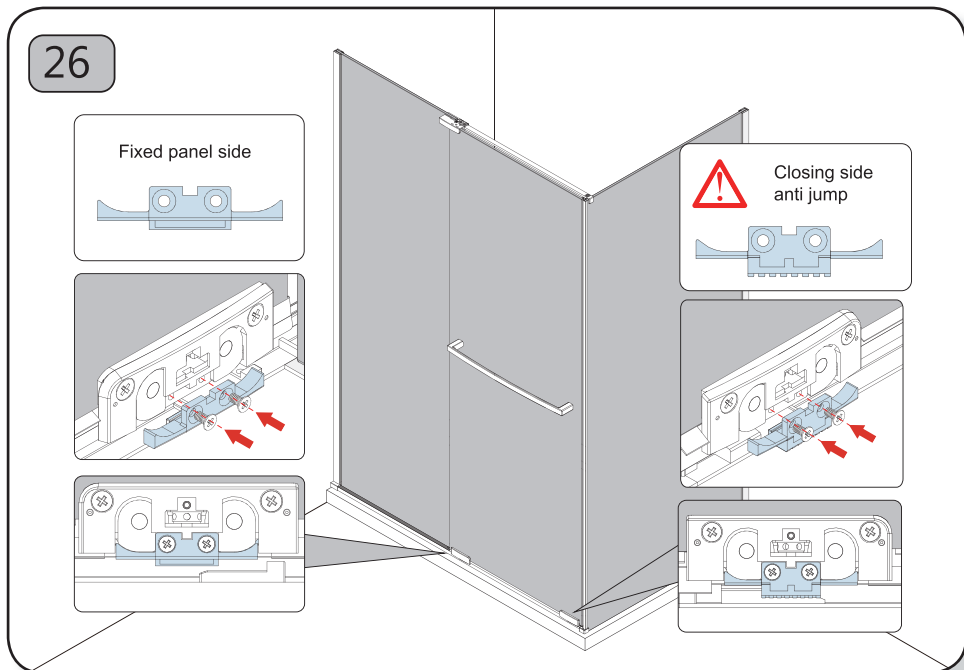
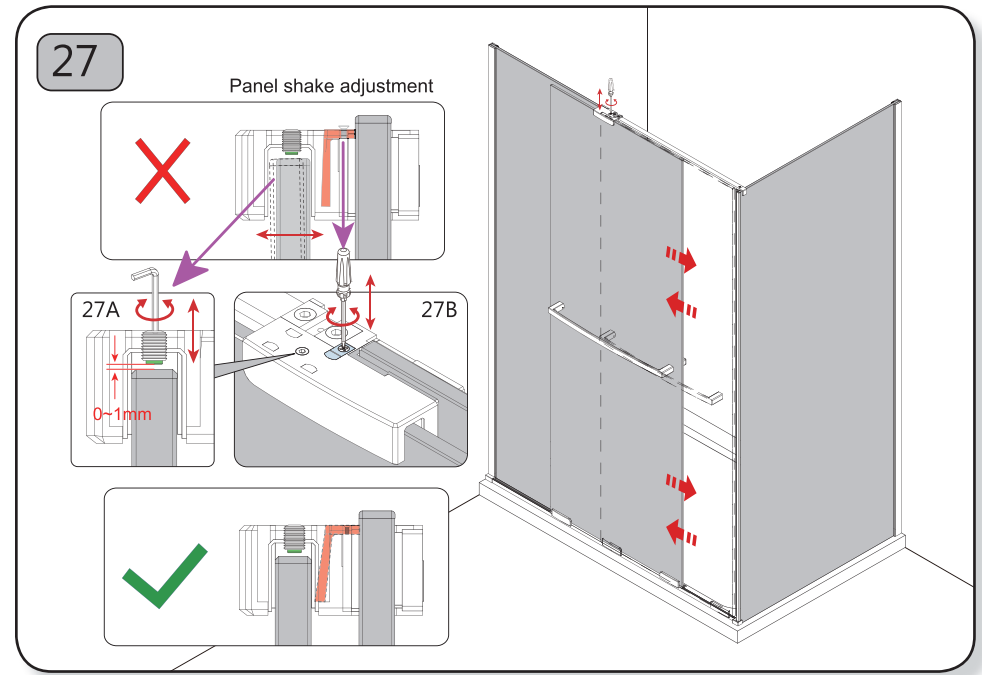
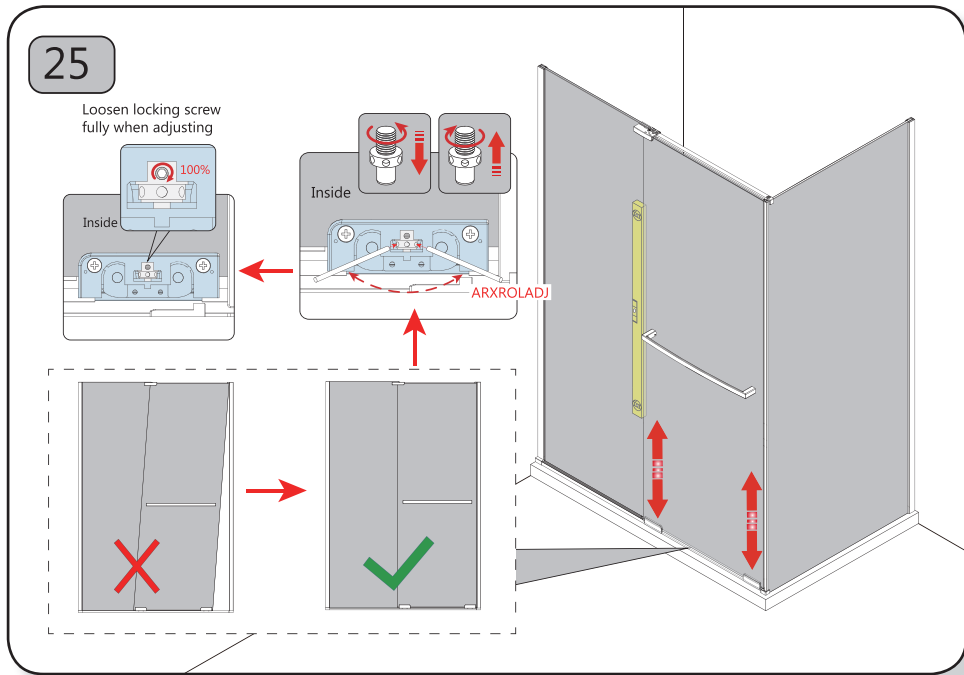




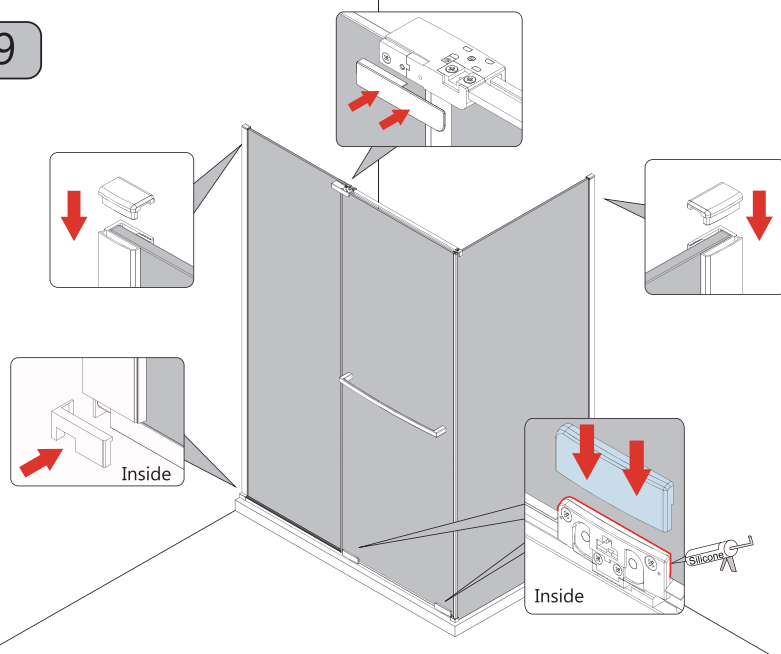








29

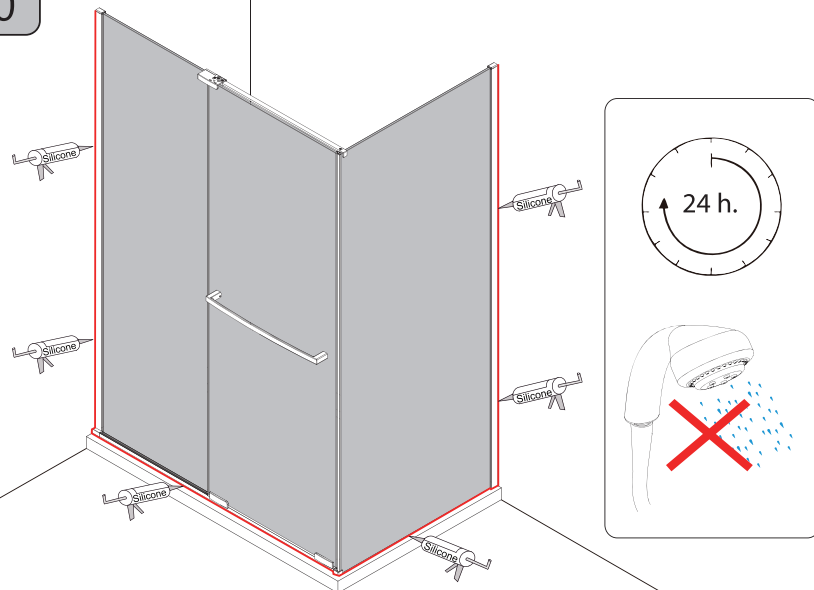
**TROUBLE SHOOTING****Door Not functioning properly**

1. Has the nylon grub screw in the top guide been over tightened? A 1mm gap between the grub screw and top of the moving panel should be left. (see step 27)
2. Has the adjustable guide in the top guide block been over tightened? The philips head screw should be loosened enough to allow the moving panel to pass through the guide easily but not so loose as to allow the panel to rattle back and forth.(see step 27)
3. Is the tray 100% level? (see step 1)
4. Ensure there is no large bows or dips on the installation surface greater than 3mm.
5. Are the wall profiles stepped in the noted min amount from the edge of the tray? (see step 2)
6. Do the finished tile measurements fall within the adjustment (X & Y) listed on step 2?
7. Are the edges of both fixed panels plumb? Check with a level and adjust if necessary. (see steps 12, 13, 16, 17, 23)
8. Are the edges of the moving panel plumb? (see step 25)
9. Are the rollers seated correctly on the track and the screws in the roller anti jump stops fully tightened? (see step 14)
10. Are the 4 guides fully installed into the top guide block? (see step 21)
11. Has the seal been pushed fully clear of the bottom track? (see step 22)
12. Have the walls been checked at different levels to ensure consistency? Bumps or hollows in the wall may push the frame out of alignment.
13. Door not closing fully? Wipe clean soft close metal component in the bottom track. If the door is still not closing fully, please contact Merlyn customer services on the contact number provided.
14. Door does not open correctly? Has the inline support bar been fitted parallel to the moving panel glass? The gap between both should be equal down its full length.( see step 23 )
15. Door cannot open? Are the anti-jump stops installed correctly? Note that 2 different anti jump stops have been provided. Please ensure they are in the right orientation.( see step 26 )

**Door Leaking**

1. If you have used the small fin fixed panel seal and are getting some small leakages, please use the larger fin seal. (see step 28)
2. Is water passing through your eyelet handle? It is the responsibility of your designer / installer to position the shower head so that this does not occur.
3. Is there water coming out over your bottom track? When cleaning the handheld shower should not be directed at the junction between the fixed and moving panel.
4. Is the bottom track and fixed panel within the Min. – Max. limit of adjustment? Slider with side panel Max. 20mm? Recess closing post Max. 15mm?
5. Is the wedge gasket pushed in fully between the fixed panel glass and the wall profile? (see steps 13 and 17)
6. Are the upright seals fitted correctly? (see steps 24, 28)
7. Door not closing fully? Wipe clean soft close metal component in the bottom track. If the door is still not closing fully, please contact Merlyn customer services on the contact number provided.
8. Is the door sealed correctly? Ensure a sufficient bead of silicone is applied around the wall profiles, bottom track and around the inside of the bottom rollers. Then remove excess silicone. (see steps 27, 28)
9. Is the overlap between the moving panel and the fixed panel consistent from top to bottom? ( see step 19)
10. Has the moving panel been installed plumb?( see step 25 )
11. Is the gap between the bottom roller and the small corner seal siliconed correctly? Ensure a small bead of silicone is applied around the inside of the bottom roller.( see step 29 )
12. Was the closing side bottom bracket siliconed before it was fit into the bottom track? ( see step 3 )

30



	
Merlyn Industries LTD (MER 11)	
DOP:CEARX1.0	
20	
<b>EN 14428</b>	
Shower enclosures with aluminium profiles and safety glass	
Cleanability	:Pass
Impact resistance/ shatter properties	:Pass
Durability	:Pass

To download the Declaration of Performance (DOP) for this product  
please use the link below.

<https://merlynshowering.com/aftersales-support/dop-certs/>

For further information please contact: IRL:0567791555 UK:08081011429