



WE ARE IB

Collection

## KUSASI

Article

## EKS310

Description

**Exposed parts for manual wall mixer with two ways diverter.**

**Built-in to be purchased separately INC310.**

Box Dimensions

**150x190x98 mm**

Weight

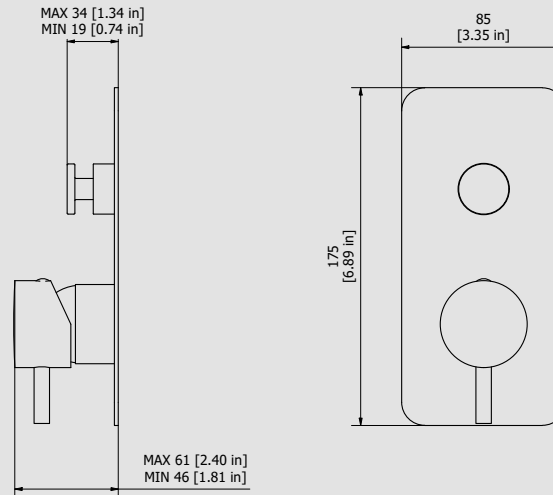
**1.2 kg**

Finishes

- CC** CHROME
- PL** PLATINUM
- SS** BRUSHED NICKEL
- ON** NATURAL BRASS
- BO** MATT WHITE
- NP** MATT BLACK
- CF** BLACK CHROME
- CS** BRUSHED BLACK CHROME
- II** PALE GOLD
- IS** BRUSHED PALE GOLD
- RS** ROSE GOLD
- SR** BRUSHED ROSE GOLD
- OO** GOLD
- OS** BRUSHED GOLD
- RR** ANTIQUE COPPER
- BB** ANTIQUE BRONZE



Dimensions



Cartridge

**Ø35 ceramic cartridge**

Threaded fitting

Aerator

Flow Rate (+/-10%)

**1 BAR**  
9.2 l/m

**2 BAR**  
12.5 l/m

**3 BAR**  
16 l/m

Production

**Main body is a machined from a solid pieces**

Material

**BRASS**  
According to CuZn42 (CW510L)  
Max Lead content: 0.2%

IB RUBINETTERIE s.p.a  
via dei Pianotti 3/5  
25068 Sarezzo (BS) - Italy -

T. +39 030 802101  
F. +39 030 803097  
info@weareib.it

P.IVA 01785230986  
capitale sociale  
€420.000,00 i.v.

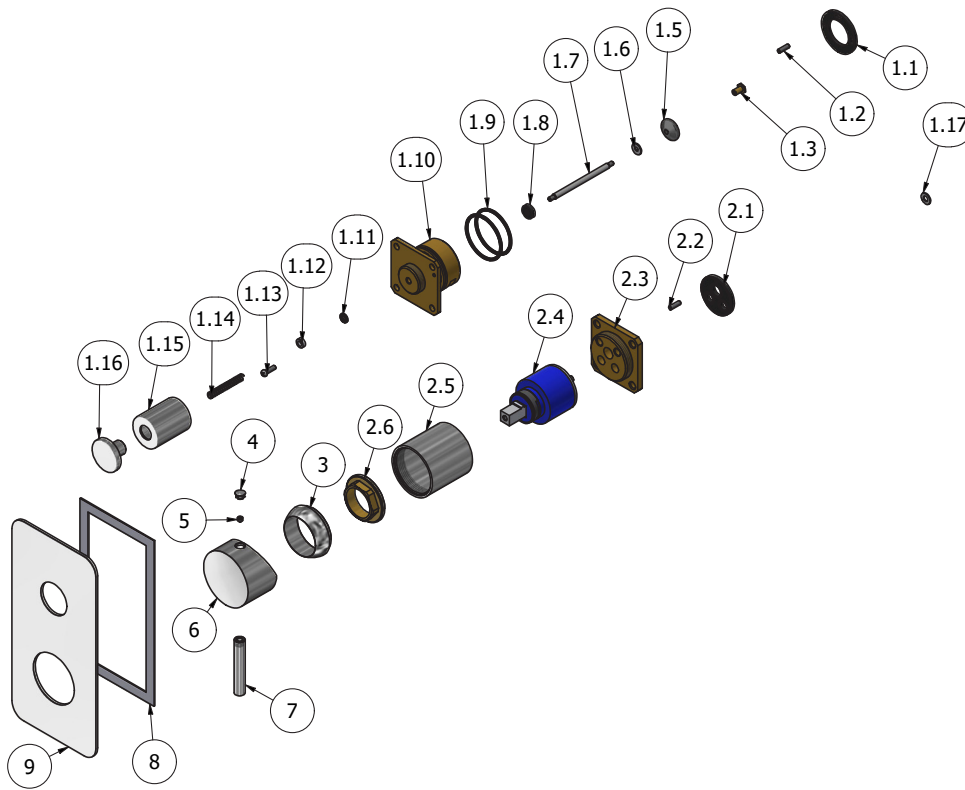
www.weareib.it





WE ARE IB

Parts list			
ELEM.	CODE	DESCRIPTION	QTÀ
1	CPDEV24CCXN_1	Diverter	1
1.1	AQ0015685_1	Rubber Ø33.8 Ø21 H2.5	1
1.2	AQ0015357	Grubscrew M3x10 flat point	1
1.3	AS0011816	Screw M3 L9	1
1.5	AQ0013871	Biconic rubber Ø17x3.75x8	1
1.6	AS0011839	Washer UNI 6593 M3	1
1.7	AL0011819	Diverter's rod Ø4 M3 L64.5	1
1.8	AQ0016708	Gaco Ø10.7 Ø3.4 H3 x asta Ø4	1
1.9	AQ0008026	OR 33.05x1.78 NBR 70 SH	2
1.10	AS0013043	Diverter body 47x47 H34.8	1
1.11	AQ0007122	OR 3.69x1.78 NBR 70 SH	1
1.12	AQ0009727	Antifriction ring Ø7 H2.5	1
1.13	AQ0012206	Inox screw M3x10	1
1.14	AQ0013884	Spring De5, Di4.2, Df0.4, St15, Lo38	1
1.15	AC0013054	Ring Ø26 M22x1 F H33	1
1.16	AC0013041	Knob Ø26 H17 M3 F	1
1.17	AS0011840	Washer UNI 6592 M4	1
2	CPIN206CC-19	Mixer 47x47 x recessed	1
2.1	AQ0015684	Gasket Ø31 H3.5 Ø7 Ø7.5	1
2.2	AQ0015357	Grubscrew M3x10 flat point	1
2.3	AS0013040	Insert 47x47 H11 M37x1.5	1
2.4	AQ0004095	Ceramic cartridge Ø35 9x9 (K35A)	1
2.5	AC0010445	Ring for recessed shower mixer	1
2.6	AQ0001040	Cartridge ring nut M37x1.5 H9	1
3	AQ0003630	Cartridge ring nut cover M37x1.5	1
4	AQ0006650	Plug cover Ø7	1
5	AQ0001082	Grubscrew M4x4 cone point	1
6	AC0009805	Handle Ø45 H29	1
7	AC0014230	Rod Ø8 H47 M8x1.25	1
8	AQ0012239	Rubber packing double-sided tape 145x75x8x1	1
9	AC0013101	Plate 175x85 x2 312-310	1





### WARRANTY

All IB Rubinetterie SpA products are warranted for 10 years from the date of purchase, for the following cases:

- Defects of casting, porosity and chrome plating.
- Operating defects caused by incorrect fabrication.

The warranty provides for repair or replacement of products with fabrication defects recognized by our technical office. There is no other type of compensation anche the merchandise must be returned FOB our warehouse. The warranty only cover surface defects (scatches, dings, etc.) on fitting that have not been installed and used, returned in its original packaging with all components. O-ring, gasket seals and components subject to wear proportional to use are warranted for 2 years.

#### The warranty is void in the following cases:

Error installing and putting the product into service.

Deterioration of finished surfaces due to use of cleaning products containing acids or abrasive substances. Deterioration of surface with finishes other than chrome plating. Their durability is, in fact, dependent on the user's care and gentleness of use.

Deterioration of the fitting due incorrect installation.

Improper repairs and maintenance performed without the company's prior authorization.

The warranty from IB Rubinetterie SpA is not renewable.

#### Cleaning

We recommended cleaning the finish surfaces with water and soap, using a soft cloth.

Do not use detergents that contain hydrochloric acid or abrasive substances.

