

## ALLIANCE - Floor standing storage unit

### MATERIALS

- **Front Panels (Thickness = 16mm):**
  - Gloss White, Gloss Grey, Gloss Taupe: Laminated particle board lacquered with UV High Gloss polyester paint.
  - Natural, Bay Pine, Sbiancato, Alsacia: Laminated particle board.
- **Side Panels (e=16mm):**
  - Gloss White, Gloss Grey, Gloss Taupe: Laminated particle board lacquered with UV High Gloss polyester paint.
  - Natural, Bay Pine, Sbiancato, Alsacia: Laminated particle board.
- **Internal Structure panels (Thickness = 16mm):** Laminated particle board on exclusive design Carbon TX

\* All panels used in the manufacture of this unit are classed as E-1 grade with low level of formaldehyde content.

\*Trim varies according to design: PVC, ABS. (edged with PUR glue)

### METAL FITTING

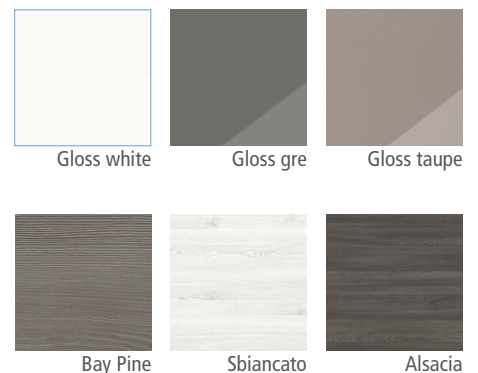
- **Legs:** 100 mm chrome legs.
- **Wooden shelf:** Height-adjustable  
height 800 - 2 units
- **Doors:** Opening of doors using the PUSH system.



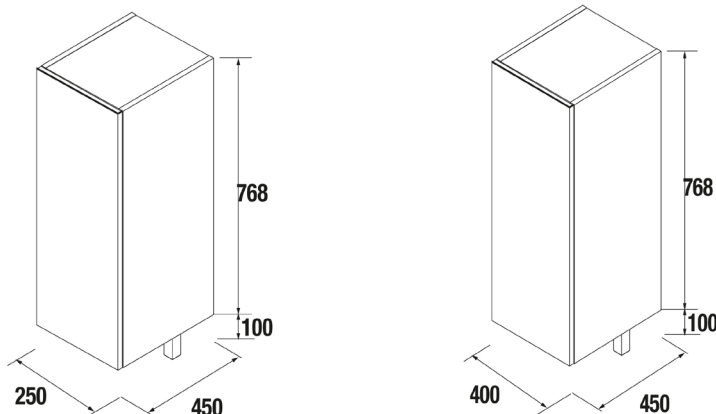
### Finishes

#### Packaging Dimensions and weight (mm).

	250	400
Lenght mm.	295	445
Depth mm.	500	
Height mm.	620	
Net weight Kg.	13,99	18,31
Gross weight Kg	15,41	20,37



### Dimensional sketch



### Interior finishes

carbon-TX  
by Salgar

