



DANIEL

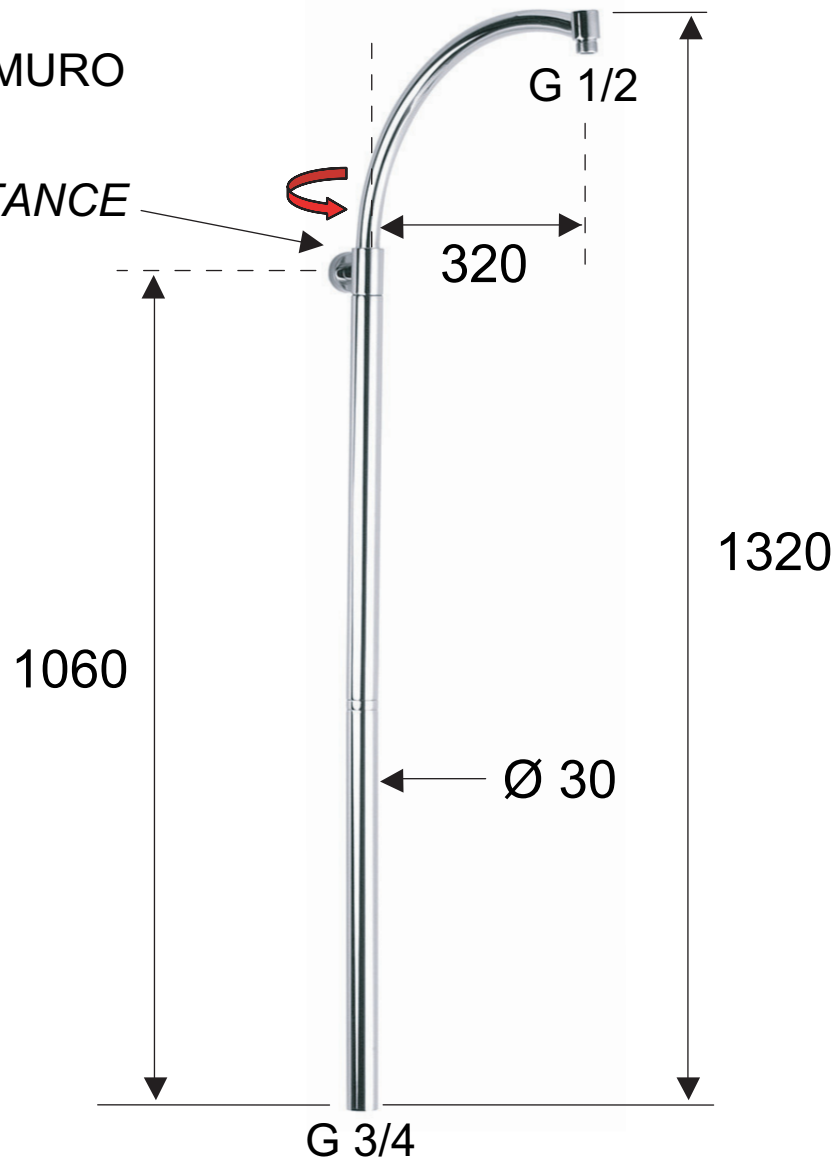
SCHEDA TECNICA TECHNICAL FEATURES

ART. COD.

A250

DISTANZA MURO
40 / 60 mm

WALL DISTANCE
40 / 60 mm



MATERIALI / MATERIALS

OTTONE CROMATO / CHROME PLATED BRASS

CROMATURA / CHROME PLATING

UNI EN 248