

Reverse 8000 118 - PVD Copper

Built-in socket

Code: 8000 118

Push socket-holder slot in Copper PVD stainless steel for built-in installation on work surfaces - 2 Schuko socket -1 USB socket for charging



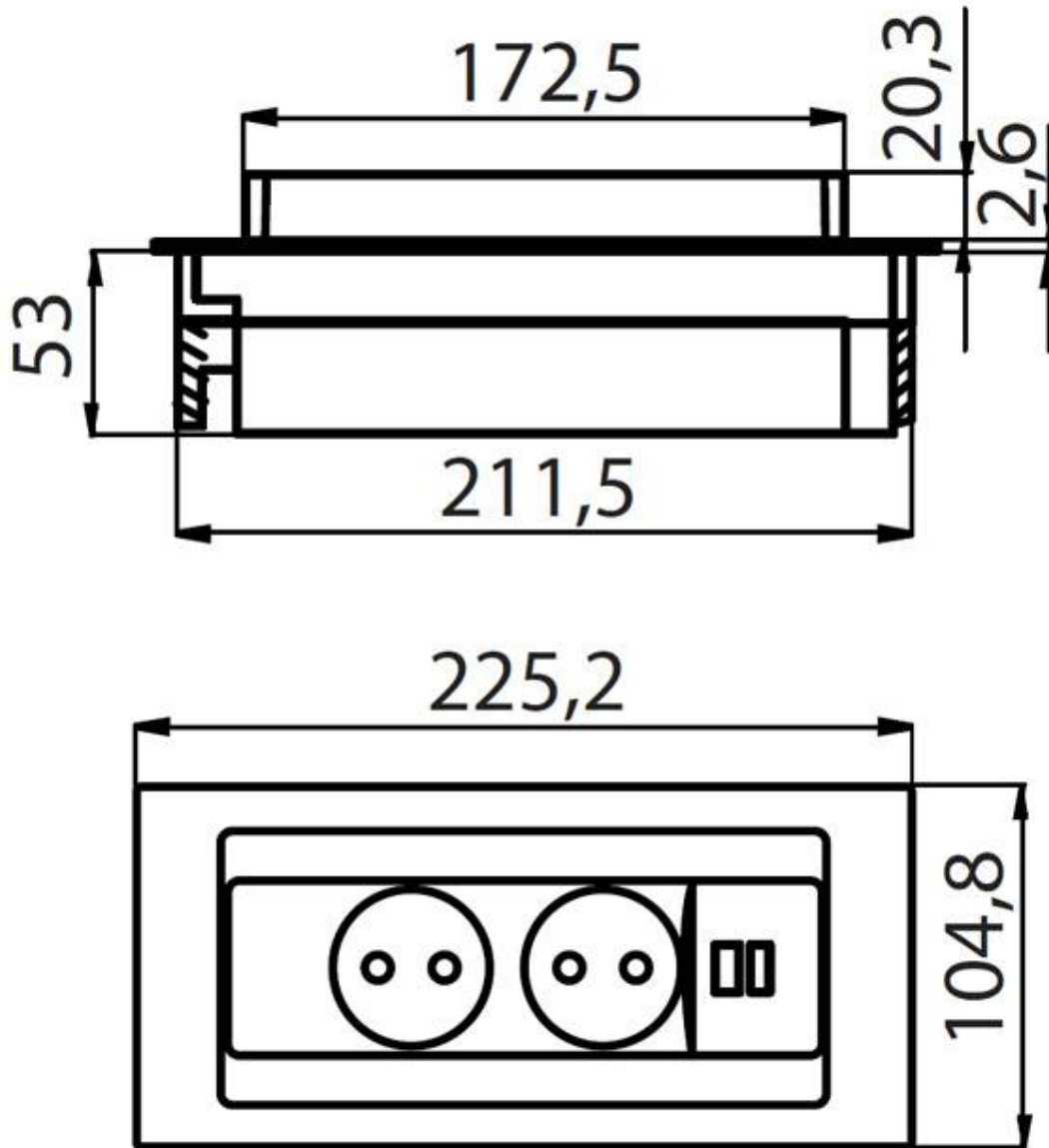
DETAILS

Coloring	Copper
Finish	PVD
Material	AISI 304 stainless steel
Texture	Foster brushed
Built-in hole	215x88 mm
Notes:	It's advisable to keep a distance of 40 cm from sinks or cooking hobs (protection index IP20)

FEATURES

Copper	The Copper finish is obtained by treating steel with a physical process called PVD (Physical Vacuum Deposition) which deposits particles of noble metals on the surface. The result is a unique and refined aesthetic effect, and an improvement of the mechanical properties of the steel which is more resistant to impact and scratches.
--------	---

TECHNICAL DATA



GALLERY

