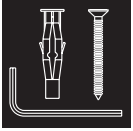
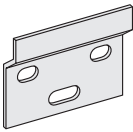
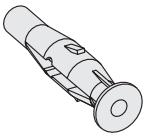
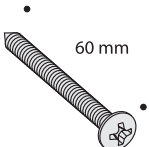


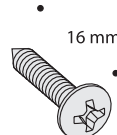
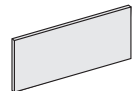
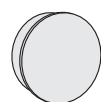


PRO / PRO S



A		x 2
B		x 5
C	 60 mm	x 5
D		x 4
H		x 1
I	 16 mm	x 1
Aq		x 3
Bb		x 4