

Cooker hob S4000 Domino 7278 032

Cooker hobs

Code: 7278 032



DETAILS

Finish Foster brushed

Material AISI 304 stainless steel

Texture Satin

Supply 220-240 V; 50.60 Hz

Edge/Installation Type Q4 (4 mm Edge)

Dimensions 450x520 mm

Base size 45cm

Heating element single burner

Built-in hole 430x480 mm

Grids Cast iron grids and enamelled burner covers

Total power 5.000 W

Dual 5.000 W

Safety Safety valve with quick-acting thermocouple

Ignition Electric ignition under knob

Gas type Tested for installation with natural gas, LPG nozzle set included.

Type Gas Hob

EQUIPMENT

1 x Cast iron wok support 9601
727
1 x Cast iron pot support 9601
742

FEATURES

Aeo burners The AEO burners guarantee up to 25% energy saving compared to standard burners. All models are designed with The Dual burner with 2 independent crowns, controlled by a single knob, delivers from 1 to 5KW, a power that can only be found in professional models.

Cast iron grids Cast-iron is the ideal material for an hob grid, this due to the manifold properties characterising it: high heat capacity that improves cooking performance; high weight and stability that improve safety; sturdiness that preserves the hob's original aspect over time; easy cleaning.

Safe cooking All Foster cooker hobs are equipped with safety valves. They shut off the gas supply very quickly if the flame accidentally goes out.

Special burners

Many Foster hobs are equipped with special burners, with two or three rings of fire that greatly increase the power delivered and the heated surface. In the DUAL models the two fire crowns also have independent ignition, making these burners perfect for both intensive and delicate cooking.

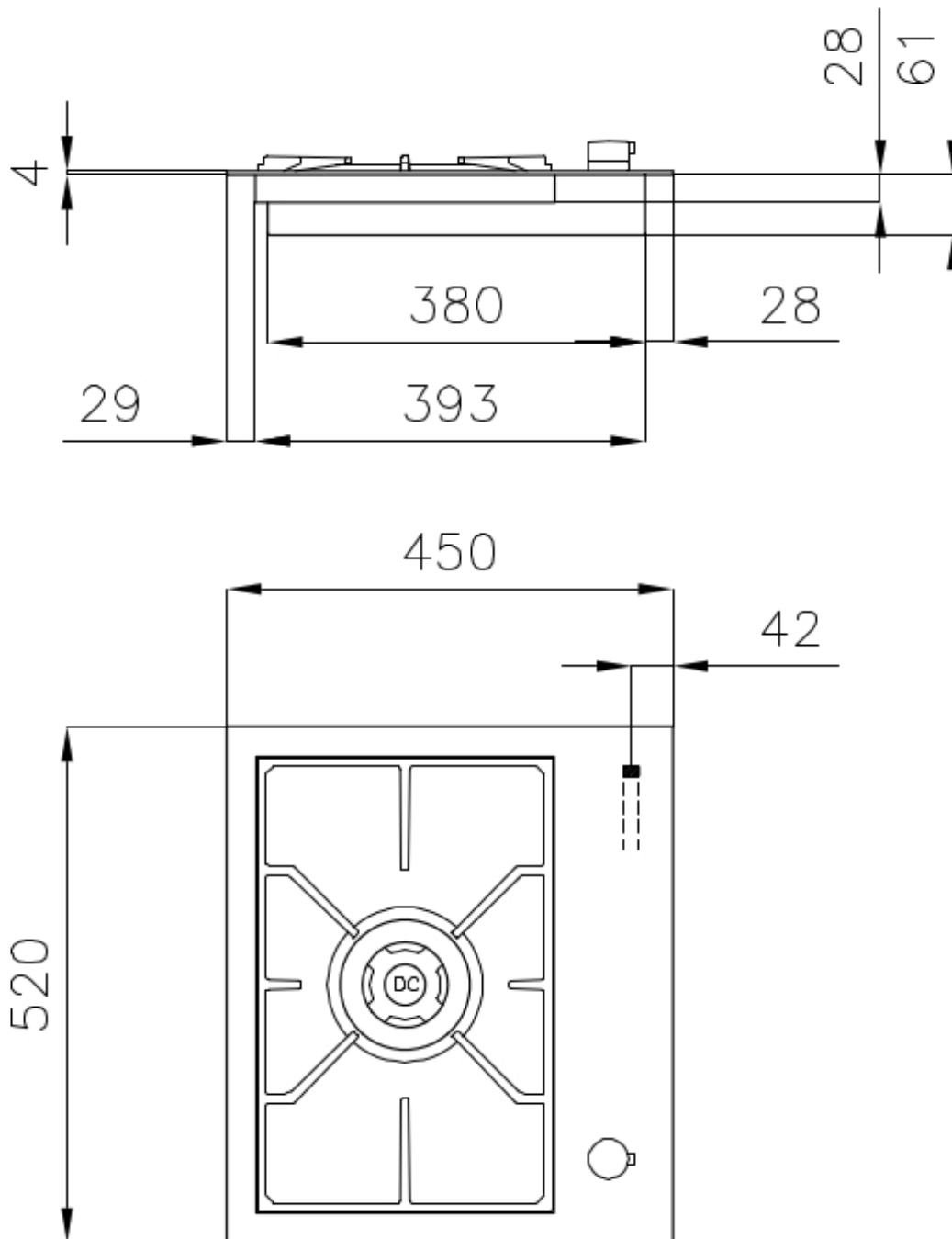
Ultra-flat hob

Design meets functionality in the the ultra-flat models. Elegant grids that form a generously sized overall surface.

Under-knob ignition

The utmost freedom of movement with electronic under-knob ignition, a common feature of all models that allows a one-hand ignition of the burner.

TECHNICAL DATA



GALLERY



EQUIPMENT

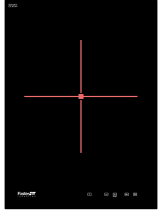


Cast iron wok support 9601 727

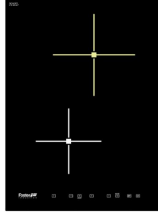


Cast iron pot support 9601 742

RECOMMENDED PAIRINGS



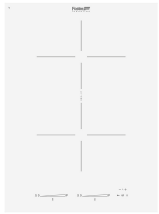
Cooker hob S4000 Domino
Induction 7321 240



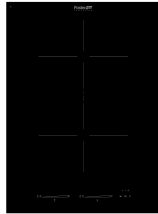
Cooker hob S4000 Domino
Induction 7322 240



Cooker hob S4000 Domino
Induction 7325 455



Cooker hob S4000 Domino
Induction 7341 255



Cooker hob S4000 Domino
Induction 7341 655



Hood S4000 Domino Ghost 2451
000



Sink KE Q4 2272 050



Spacer for Domino elements
8320 000