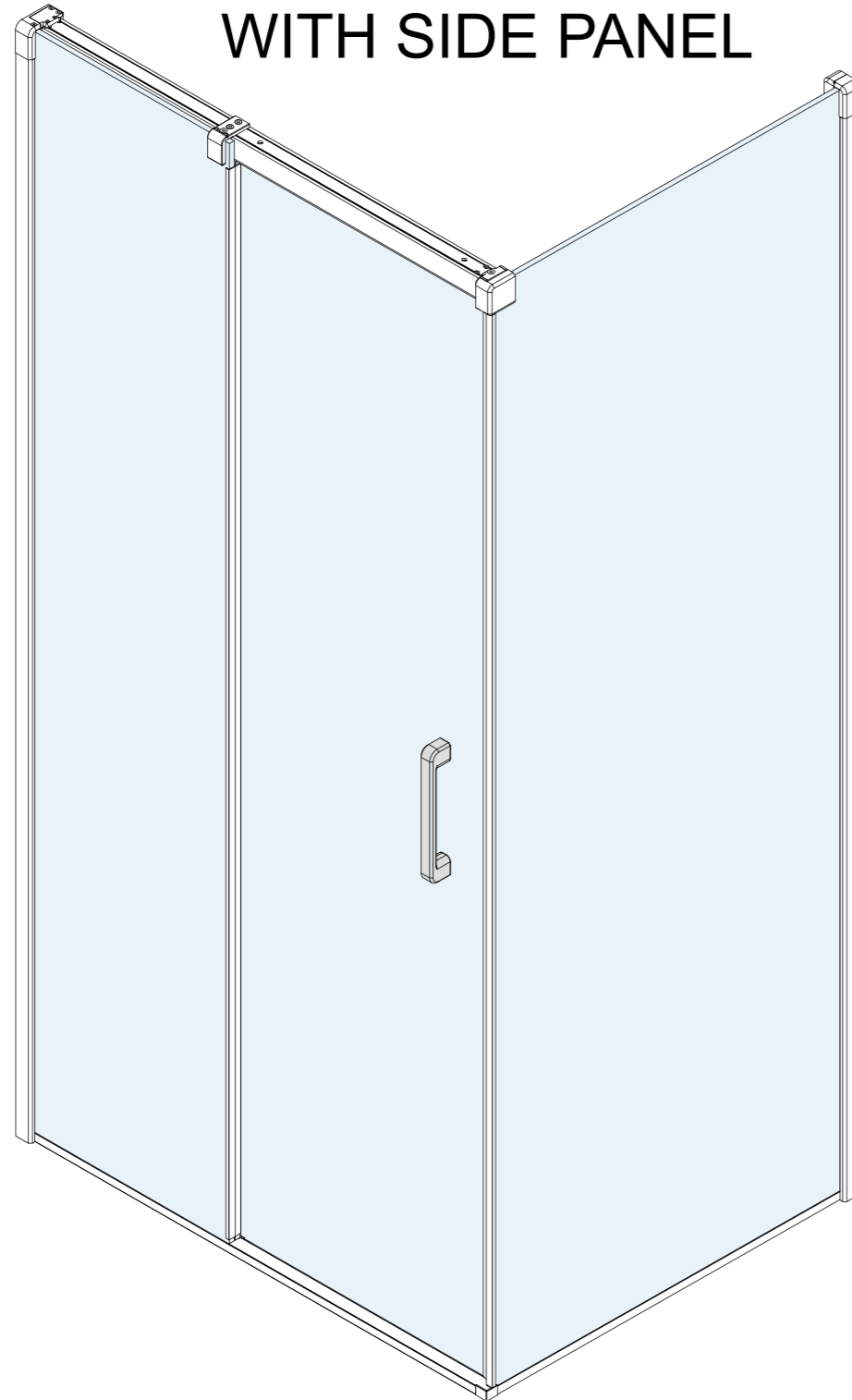


## 2 PANEL SLIDING DOOR WITH SIDE PANEL



## INSTALLATION GUIDE

**IMPORTANT:** Please read the complete instructions before commencing fitting.

Make sure the tray is 100% level in all directions.

Check that you have the tools required.

Check the installation site is compatible with the sizes of door supplied.

Check all the enclosure components are present.

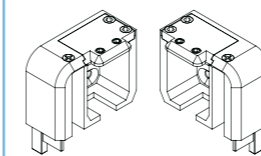
Check the installation kit is complete.

Do Not attempt to install the product unless you can tick all 4 boxes.

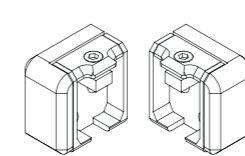
The wall plugs supplied with the installation kit are for use in solid walls. Hollow or 'stud partition' walls will require alternative fixings. Please consult a hardware supplier for the correct type. It may also be necessary to consult your tiling supplier about the correct method for drilling your tiles.

**ATTENTION:** TAKE EXTREME CARE WHEN HANDLING GLASS, WEAR PROTECTIVE EYEWEAR AND CLOTHING. DO NOT LEAVE THE GLASS ON HARD SURFACES AND AVOID CONTACT BETWEEN THE GLASS EDGES AND HARD SURFACES OR IMPACTS DURING THE INSTALLATION.

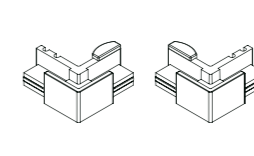
### Fixing kit components



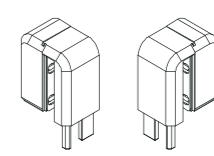
SP0GMS0711



SP0GMS0732

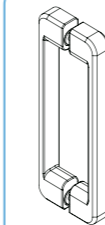


SP0GMS0773

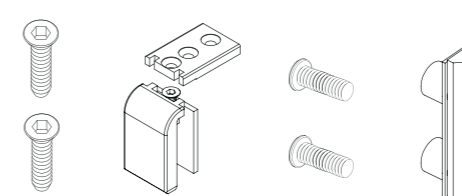


SP0GMS0762

Note: Only one of each supplied as product is handed left or right.



Handle

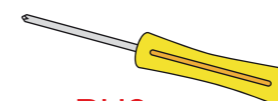
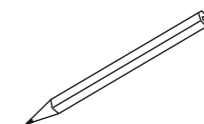


SP0GMS0745 SP0GMS0739 SP0GMS0769 SP0GMS0768

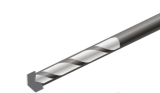
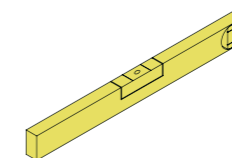


SP0GMS0847 SP0GMS0848 SP0GMS0849  
2.5mm 3mm  
SP0GMS0850 SP0GMS0852 SP0GMS0851

### Tools required

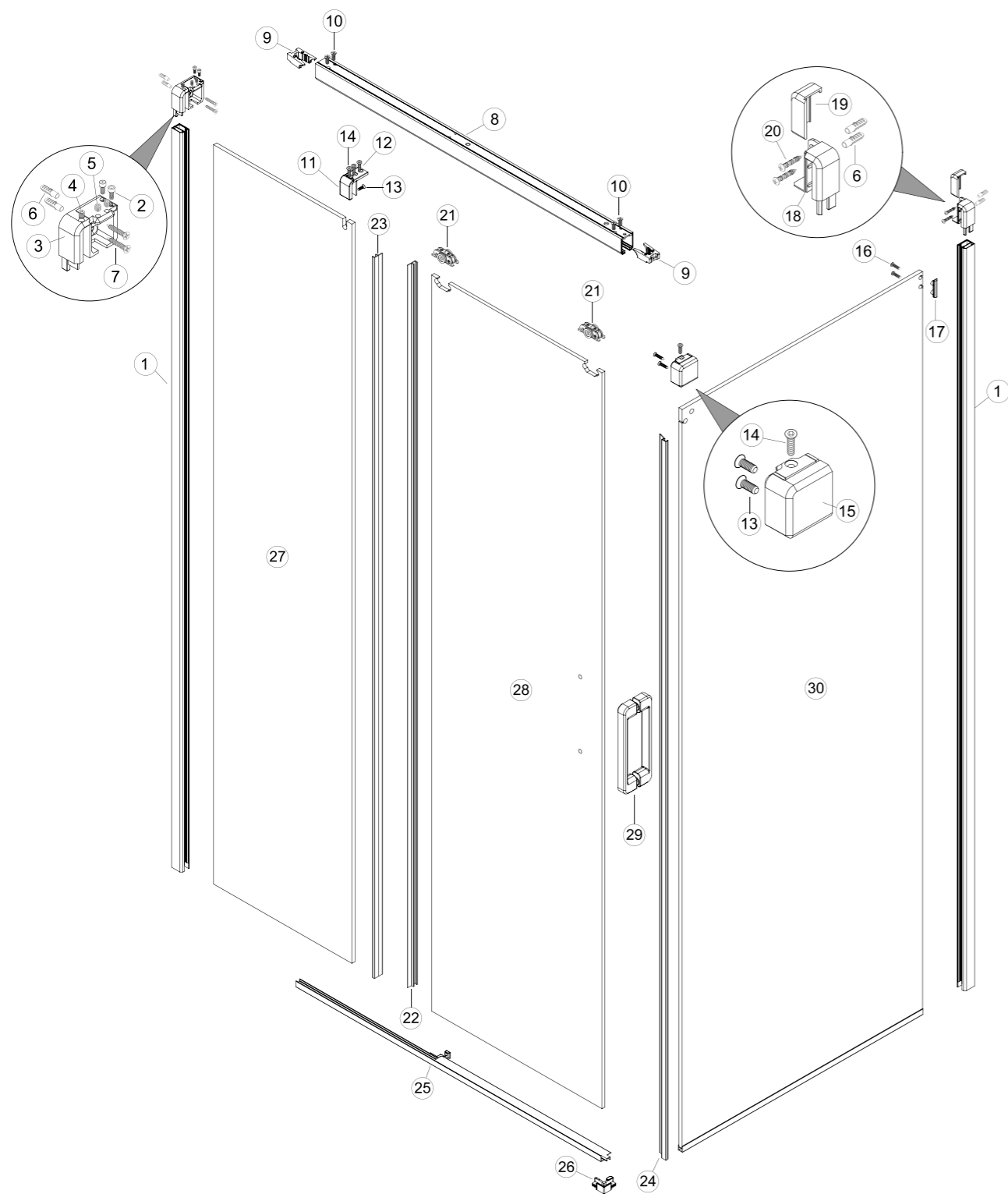


PH2

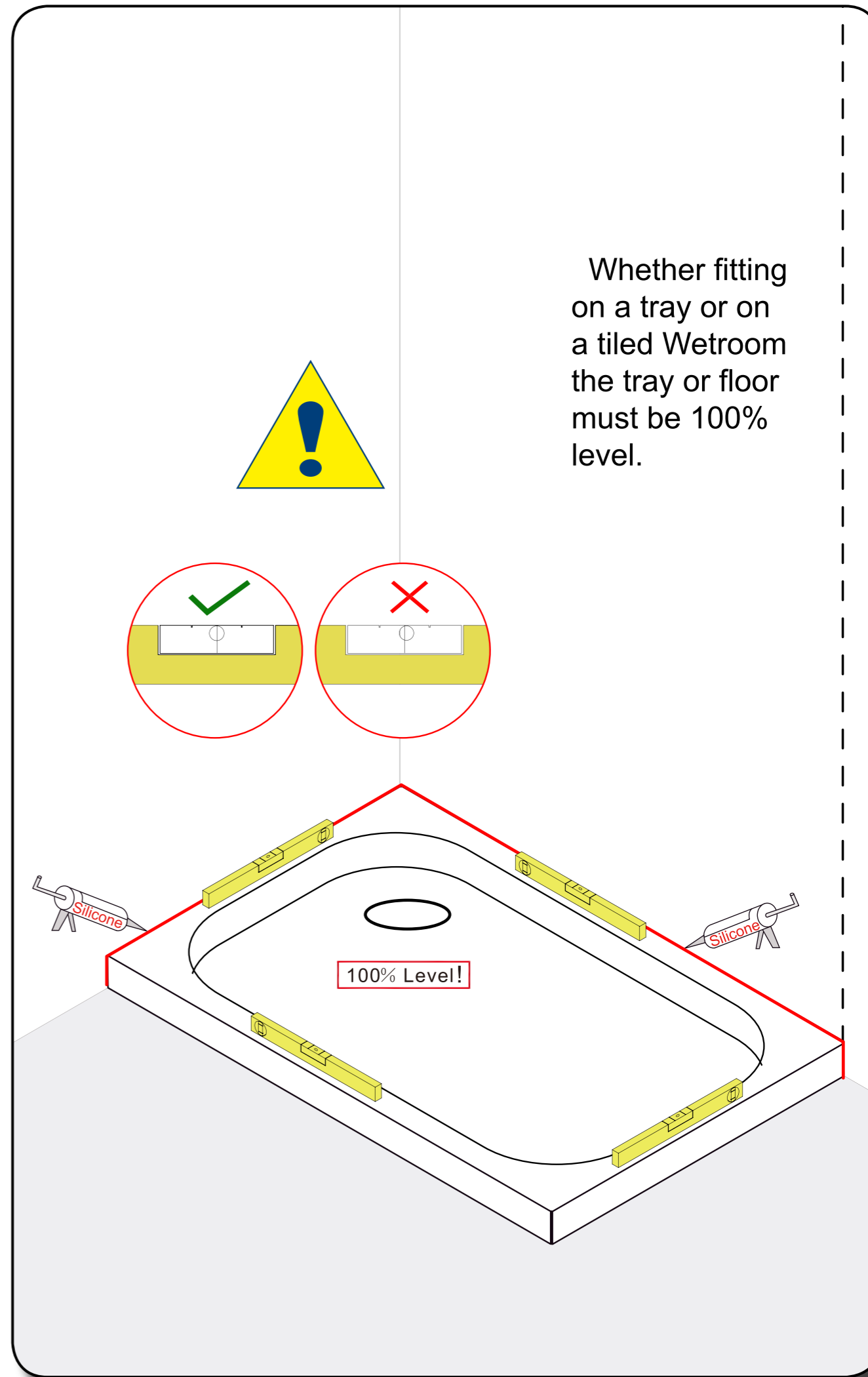


Ø8





No.	QTY	descriptions	Code	No.	QTY	descriptions	Code	No.	QTY	descriptions	Code
1	2	Wall profile	SP0GMS0680	11	1	Middle bracket	SP0GMS0739	21	2	Roller	SP0GMS0710
2	2	Bracket fixing screws M4x10	SP0GMS0719	12	2	M5x10 screw	SP0GMS0745	22	1	Moving panel upright seal	SP0GMS0699
3	1	Fixed panel wall bracket	SP0GMS0711	13	3	M5x12 screw	SP0GMS0846	23	1	fixed panel upright seal	SP0GMS0698
4	1	Plastic grub screw	SP0GMS0717	14	2	M5x14 screw	SP0GMS0738	24	1	side panel closing seal	SP0GMS0702
5	2	M6x6 grub screw	SP0GMS0718	15	1	corner bracket	SP0GMS0732	25	1	Threshold	C
6	4	Wall plug	SP0GMS0849	16	2	M4x12 screw	SP0GMS0769	26	1	Threshold corner bracket	SP0GMS0773
7	2	5x40 screw	SP0GMS0847	17	1	Side panel clamp	SP0GMS0768	27	1	Fixed panel	D
8	1	Top rail	A	18	1	side panel wall bracket	SP0GMS0762	28	1	Moving panel	E
9	2	Roller stop	B	19	1	side panel wall bracket cover cap	SP0GMS0770	29	1	Handle	F
10	4	Roller stop screws	SP0GMS0709	20	2	M5x40 Pan head screw	SP0GMS0848	30	1	Side panel	G



Whether fitting on a tray or on a tiled Wetroom the tray or floor must be 100% level.

**1**

**1A** Wall profiles are labeled Left and Right so make sure you have noted the handing. The seal should be flush on top and show a gap on the bottom.

**1B** Insert the bracket into the wall profile.

**1C WARNING** Make sure the bracket is seated correctly and there is no gap between the join of the bracket and profile.

**3**

**3A** Mark the centre of the slot.

**3B** Drill the centre of the slot. This is important to allow adjustment.

**3C** Insert the wall plugs.

**2**

**2A** Measure distance X and Y from the back wall to the front of the wall profile and ensure it is within the adjustment range of the size chosen.

**2B** Plumb the wall profiles.

**2C** Make sure the bracket is seat correctly showing no gap between the join of the wall profile. Make sure the top bracket is level. Mark the wall through the slots in the wall bracket.

**NOTE !** If fitting optional LED profile the fitting procedure is different and you must follow the steps in the LED installation Guide.

Size	X	Y
700	670-685	
760	730-745	
800	770-785	
900	870-885	
1000	970-985	983-998
1025		1008-1023
1050		1033-1048
1075		1058-1073
1100		1083-1098
1125		1108-1123
1150		1133-1148
1175		1158-1173
1200		1183-1198
1400		1383-1398

**4**

**4A** Fit the fixed panel into the threshold. Make sure the edge of the glass is tight against the end of the cover strip. Make sure the guide is facing inside.

**4B** Fit the assembled profile and bracket to the fixed panel. Ensure the wall profile is seated fully at the base.

**5**

**5A** Check assembly is plumb and fix to the wall through the bottom slot first making sure there is no gap between the join of the profile and the bracket (**5B**) and then secure with second screw.

**7**

**7A** 1. On the glass fixing bracket remove the protective film from the tape and keep end with X to the top. Then fit the fixing bracket to the outside of the glass.

**7B** Slide the bracket down over the glass fixing.

**7C** Loosely fix the the glass clamp to the wall bracket with Pan head screws to allow adjustment.

**6**

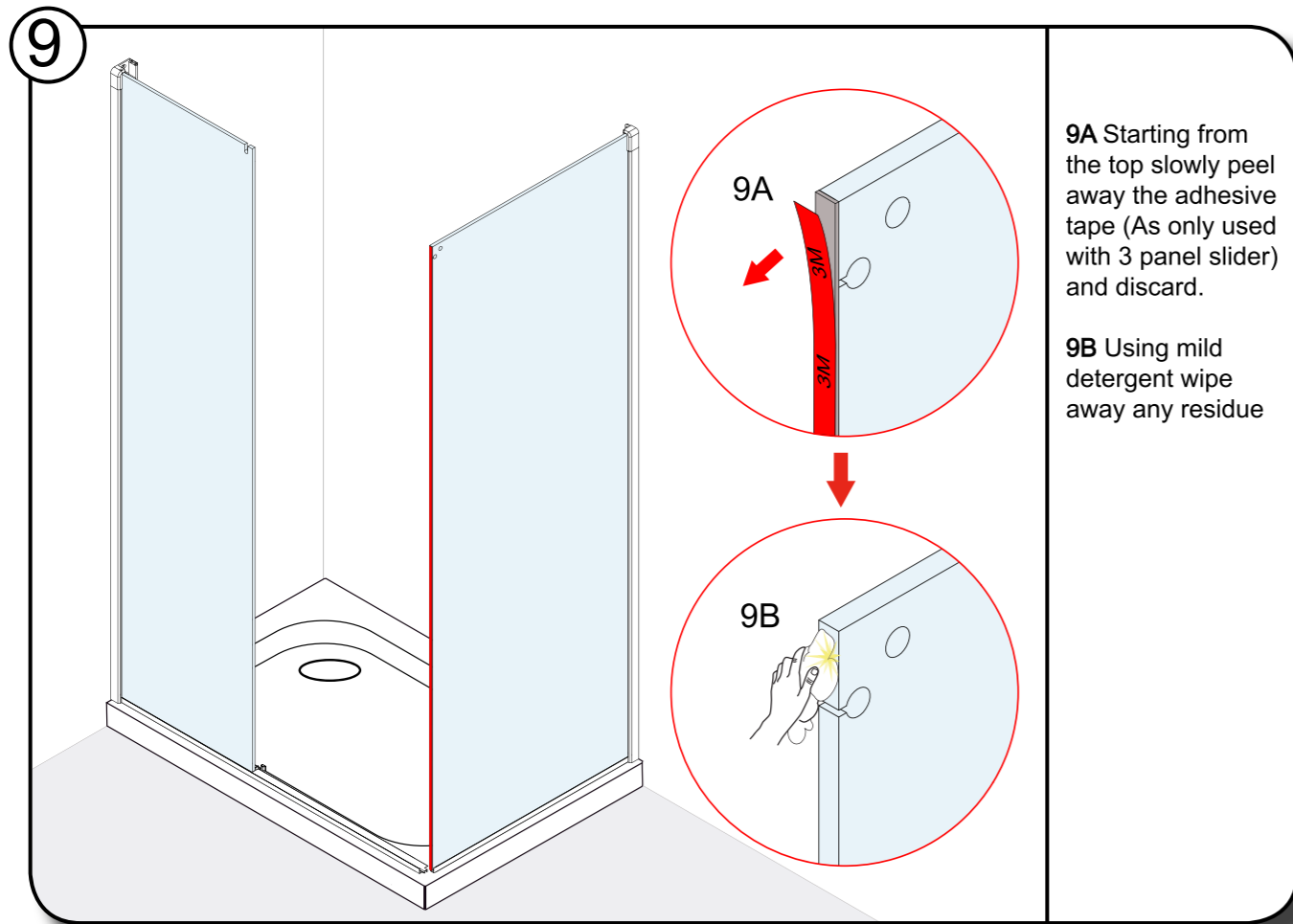
**6A** Note the correct orientation of the glass, arrow facing up.

**6B** Fit the wall profile fully onto the glass panel keeping the bottom of the profile flush with the bottom of the panel.

**8**

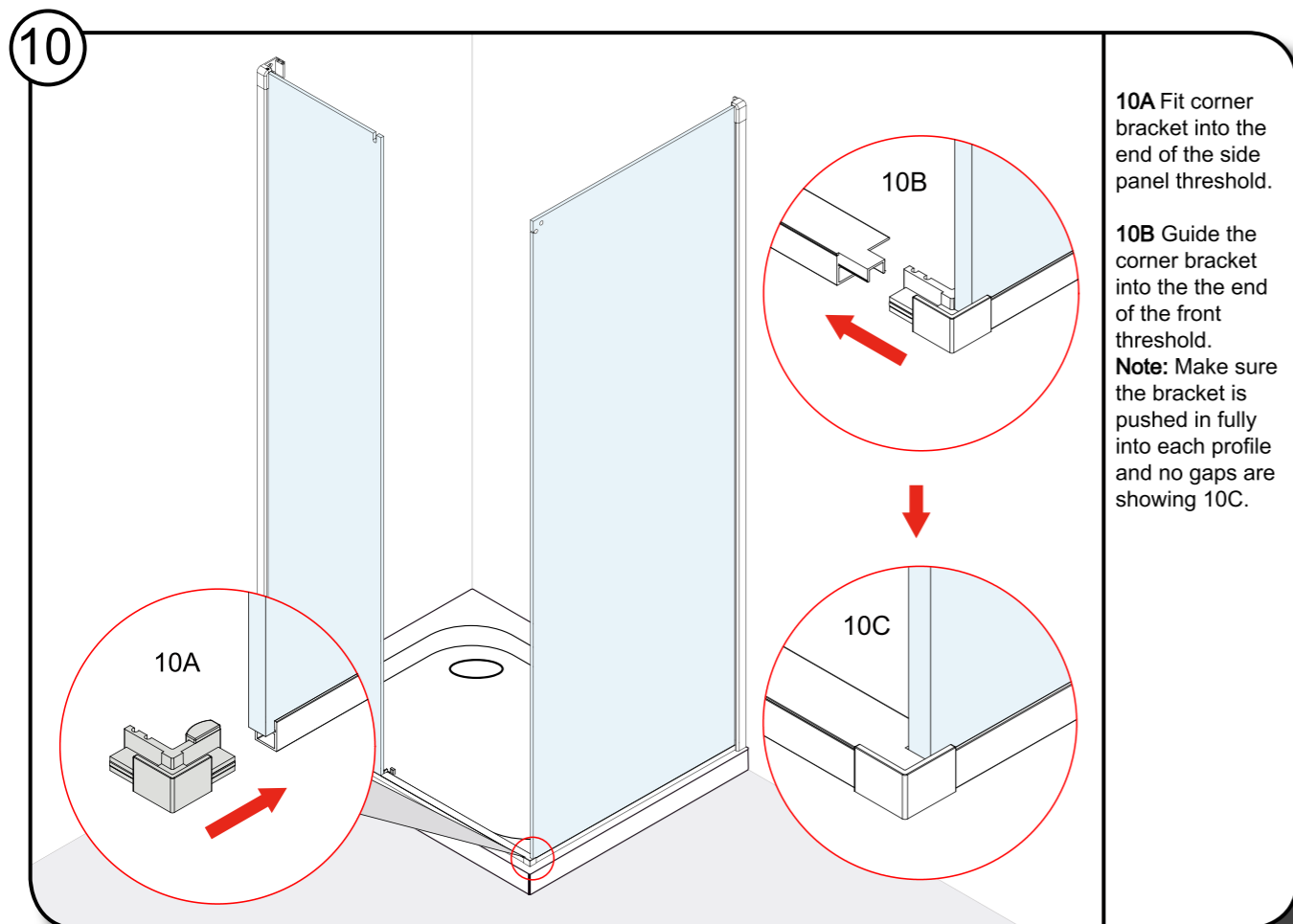
**8A** Check assembly is plumb and fix to the wall through the bottom slot first making sure there is no gap between the join of the profile and the bracket (**8B**) and then secure with second screw.

**Warning.** Note that the threshold is not to be connected at this stage.



**9A** Starting from the top slowly peel away the adhesive tape (As only used with 3 panel slider) and discard.

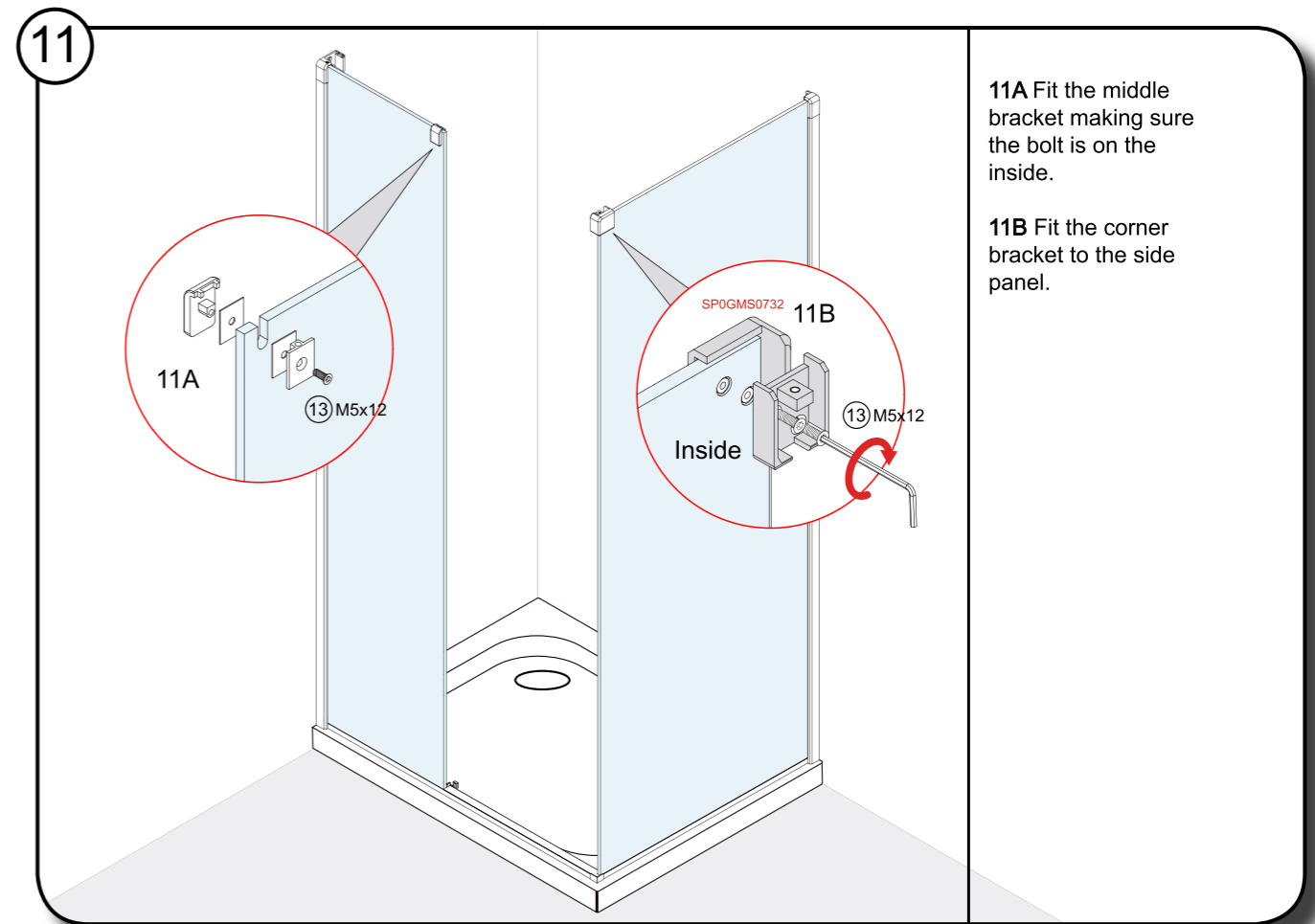
**9B** Using mild detergent wipe away any residue



**10A** Fit corner bracket into the end of the side panel threshold.

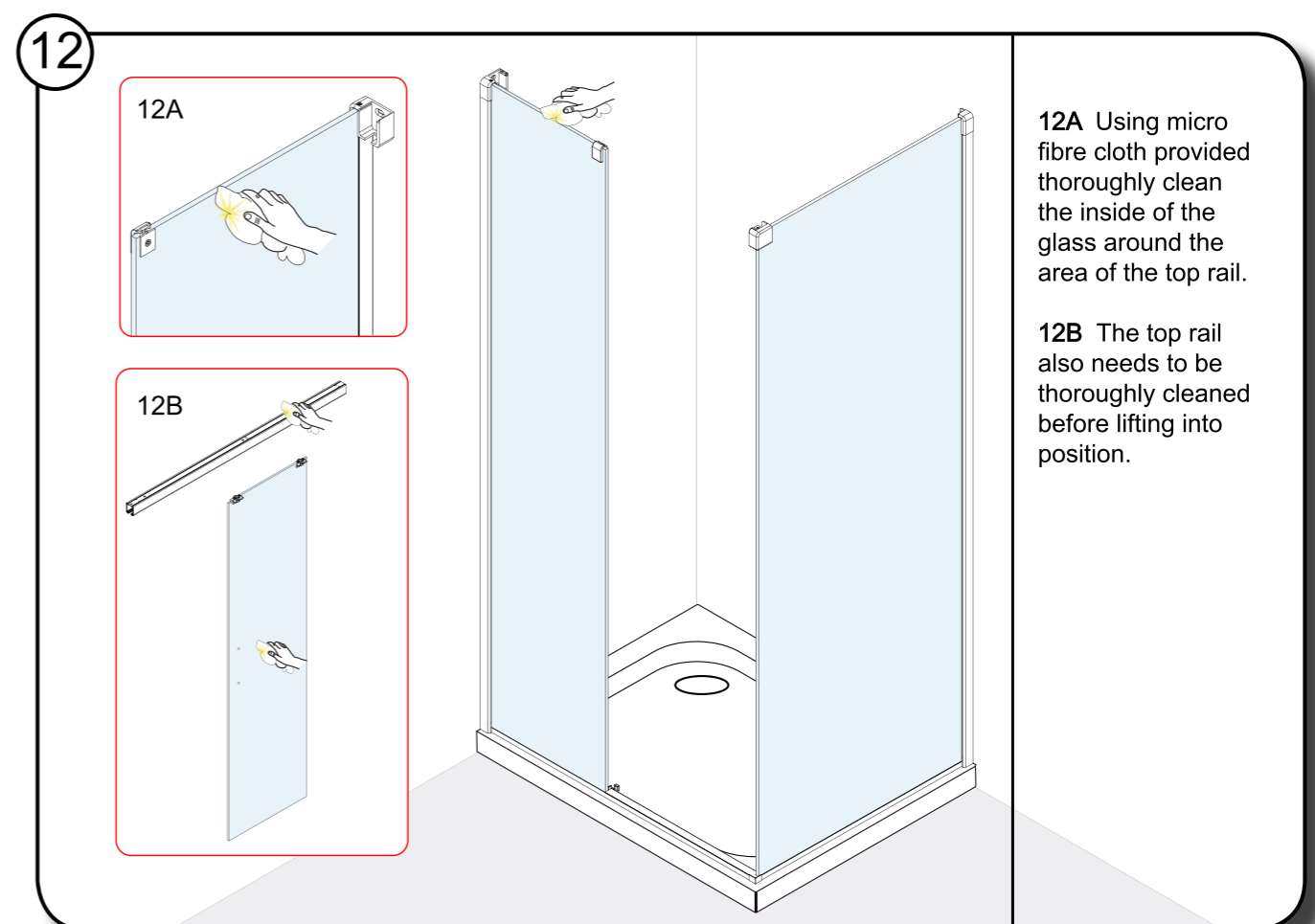
**10B** Guide the corner bracket into the the end of the front threshold.

**Note:** Make sure the bracket is pushed in fully into each profile and no gaps are showing 10C.



**11A** Fit the middle bracket making sure the bolt is on the inside.

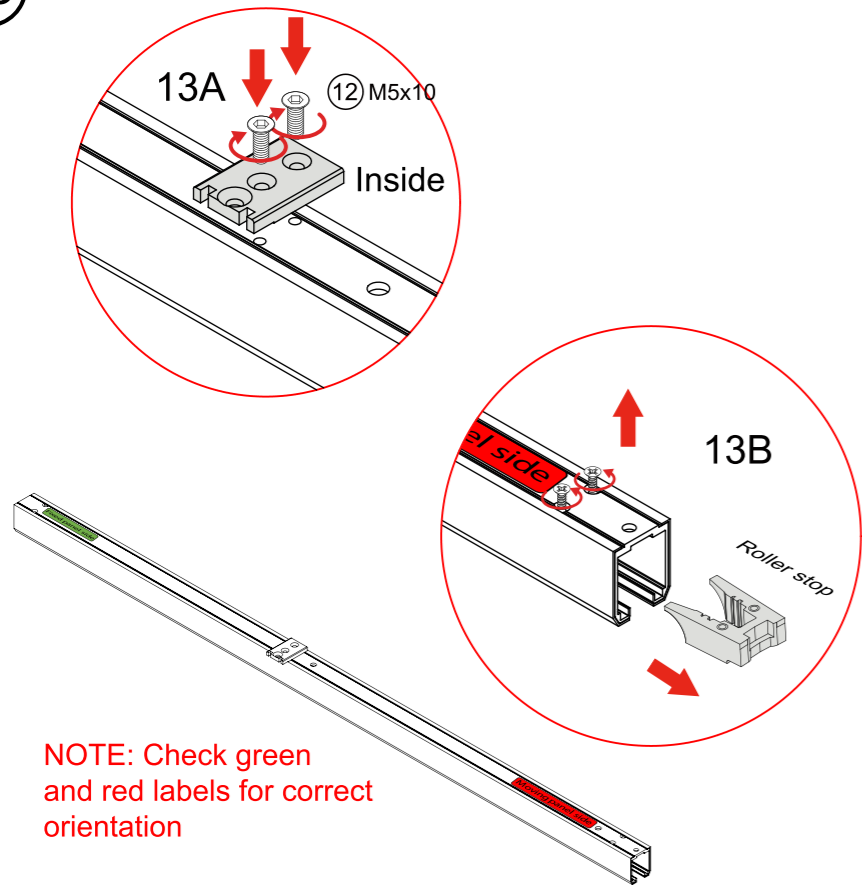
**11B** Fit the corner bracket to the side panel.



**12A** Using micro fibre cloth provided thoroughly clean the inside of the glass around the area of the top rail.

**12B** The top rail also needs to be thoroughly cleaned before lifting into position.

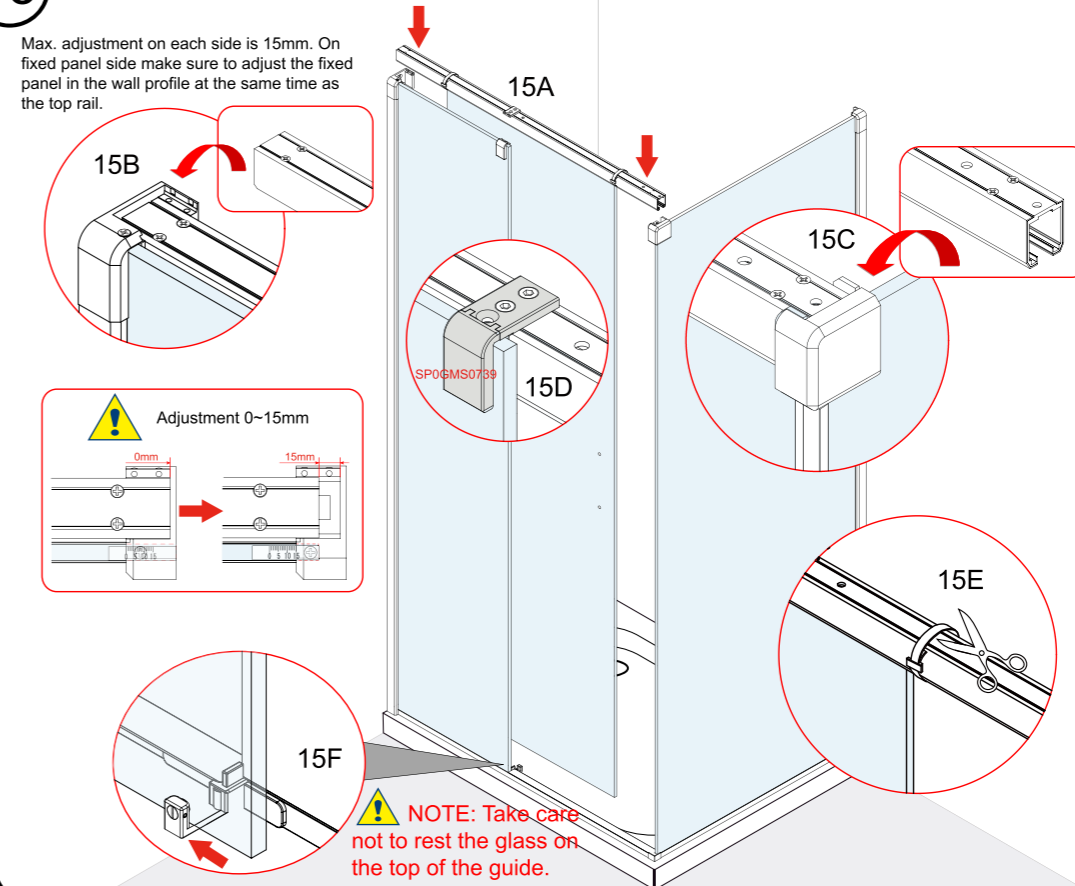
13



**13A** Note the labels on the ends of the rail.  
Fit plate to the top of the rail with notched side facing out.

**13B** Remove the roller stop from the moving panel side.

15



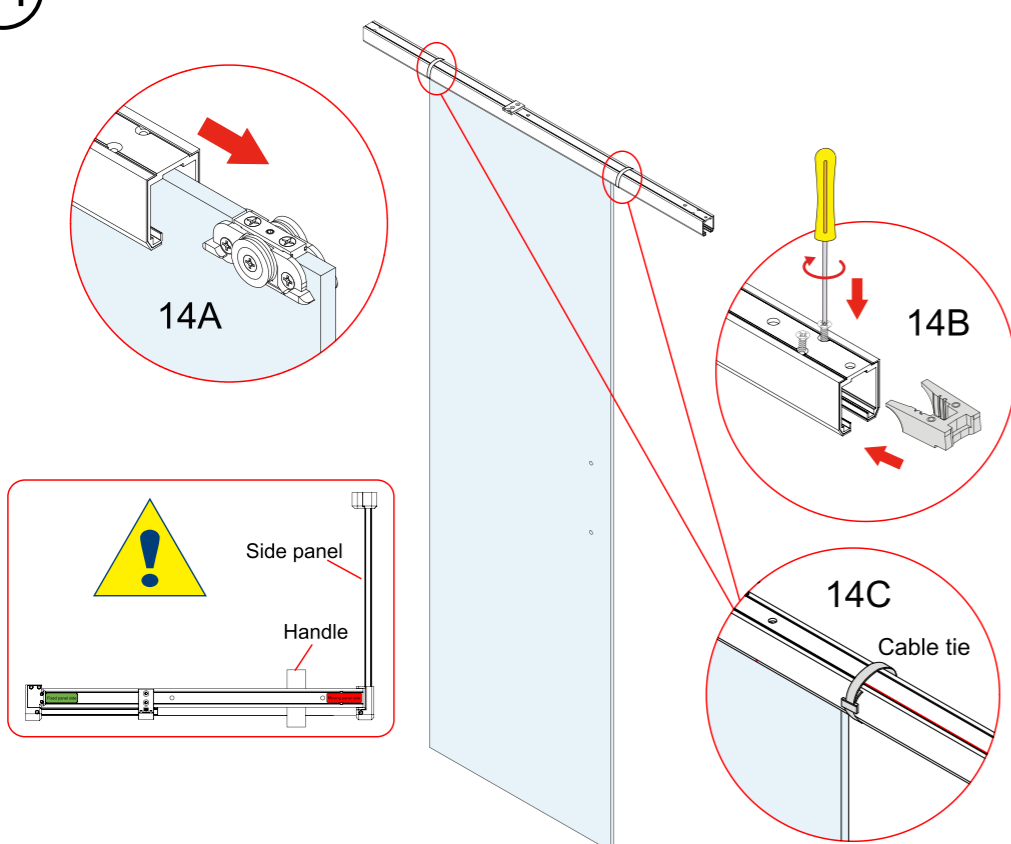
Max. adjustment on each side is 15mm. On fixed panel side make sure to adjust the fixed panel in the wall profile at the same time as the top rail.

**15A** Lift the moving panel and top rail into the brackets **15B & 15C**. Make sure both parts of the middle bracket **15D** are aligned to allow the rail to drop into position. Keep the bottom of the moving panel out from the guide.

**15E** Remove the cable ties.

**15F** When door is fitted move door to the closed position and slide guide over the back edge of the moving panel.

14



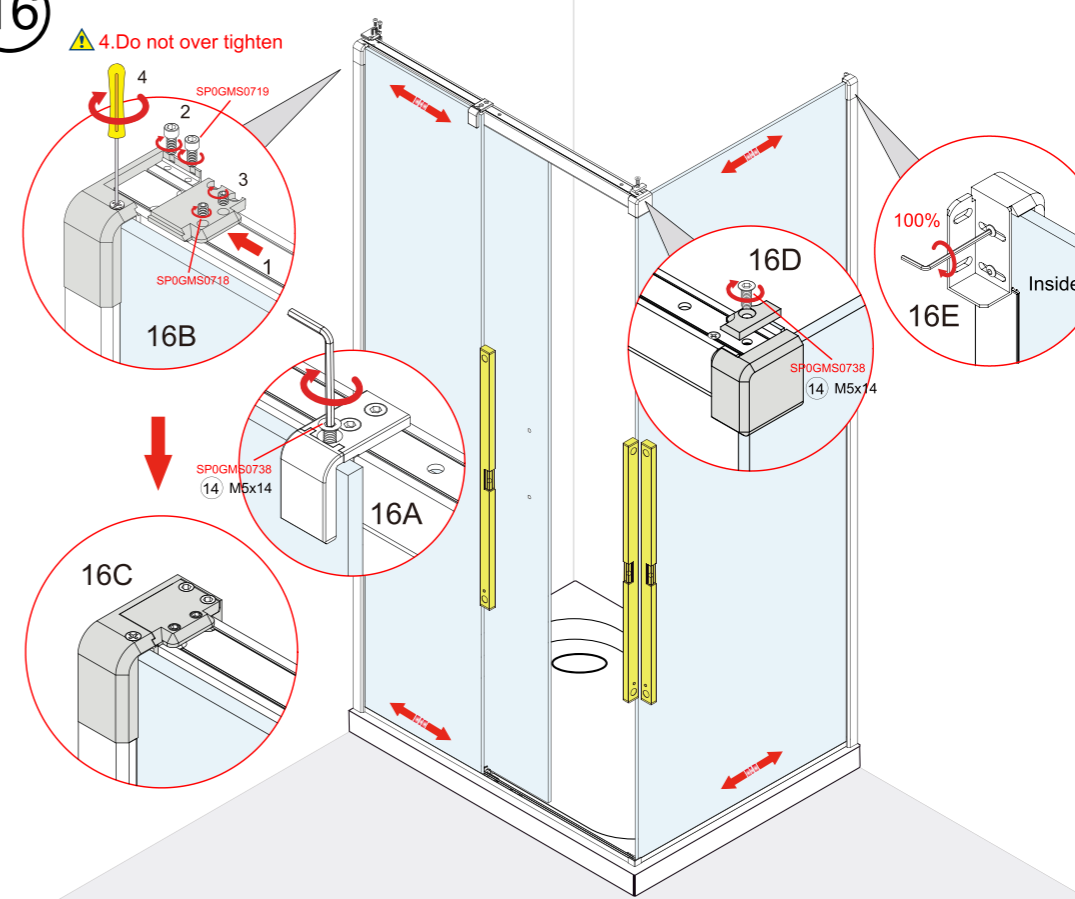
**14A** Slide the 'Moving panel' end of the top rail onto the moving panel.

**Note** : make sure the holes in the glass for the handle are on the 'Moving panel' side.

**14B** Fit the roller stop.

**14C** Slide the top track to the centre of the glass and secure the rail with the cable ties. This will prevent the rail moving when lifting into place.

16



**4. Do not over tighten**

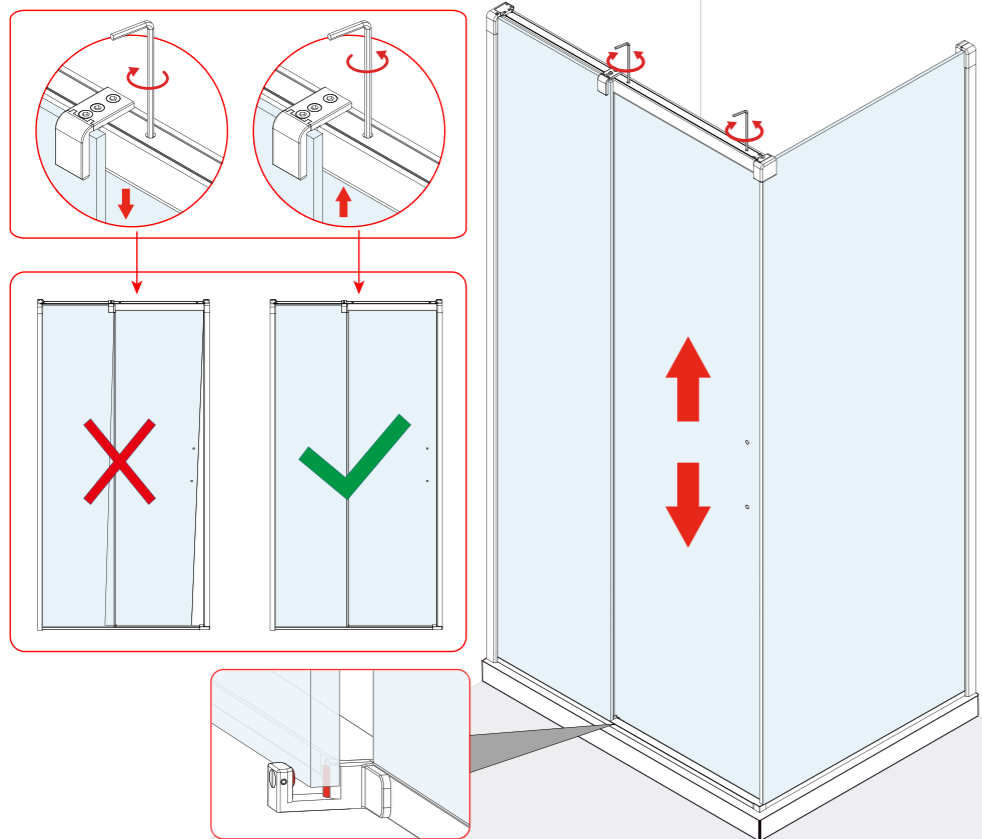
**16A** Squeeze the fixed panel and rail together to align the bracket and plate and fix with M5 x 14 screw.

**16B** 1) Slide the fixing plates into the wall bracket. 2) Secure to the bracket with M4 x 10 screws. 3) Lock the rail to the bracket by tightening the grub screws. 4) Loosely fix the plastic grub screw so it is flush with the top of the bracket.

**16D** Secure the rail in the corner bracket with M5x14 screw.

**16E** Fully tighten the glass clamping screws.

## 17 Aligning moving panel / adjusting rollers



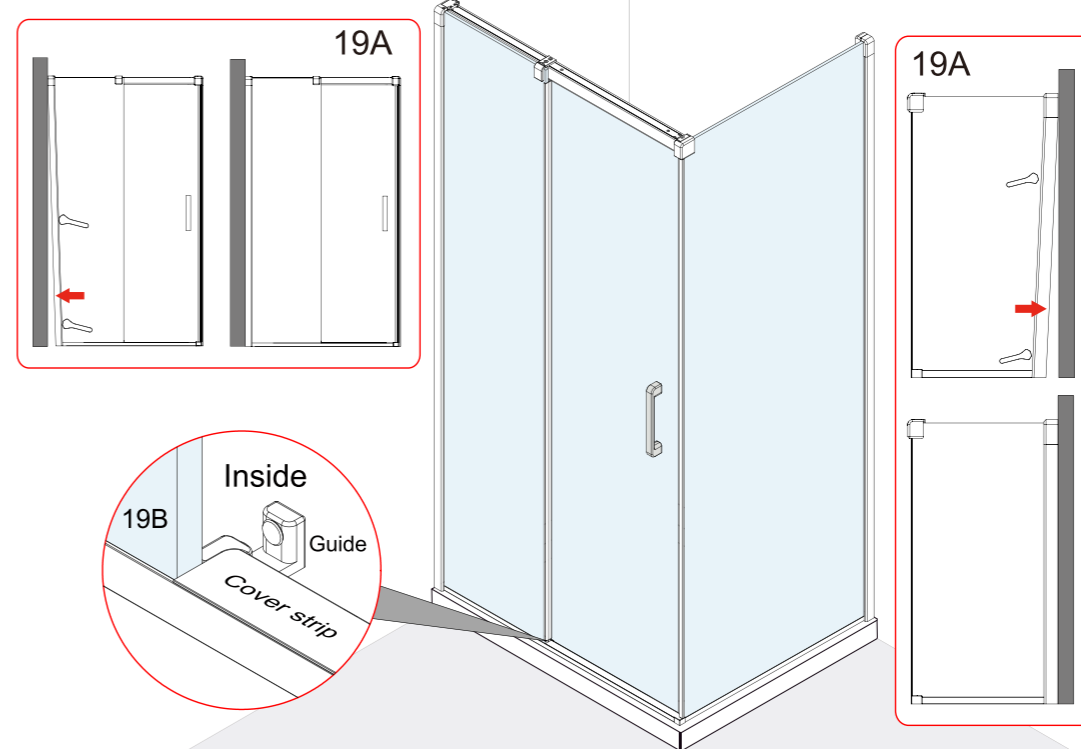
The height and alignment of the door can be adjusted using the hex key provided. The moving panel must be in the closed position to access the adjusting screw through the access ports on the top of the rail.

Turn clockwise to lower and anti-clockwise to raise.

The vertical alignment of the moving panel should be adjusted so there is adequate overlap with the fixed panel and the closing post.

Check the glass is touching the the plastic inserts of the guide at all times, lower the panel if necessary.

## 19

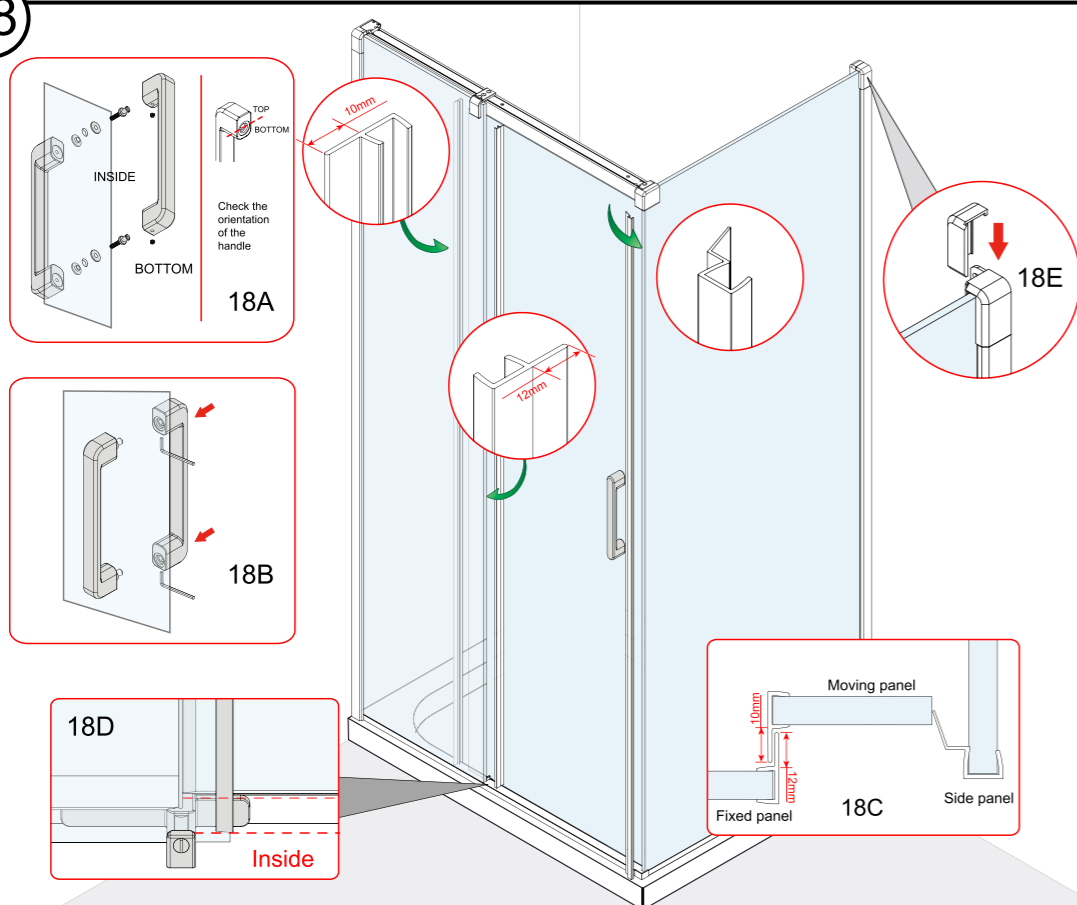


As the fixed glass panel is adjusted in the wall profile gaps will appear between the profile and the wall, especially near the bottom.

**19A** Use the plastic tool provided to push the profile tight to the wall.

**19B** Check the fixed panel does not move and remains tight to the threshold cover strip.

## 18



**18A** Note the top and bottom of the handle, disassemble and fit outer handle making sure to place washers on both side of the glass.

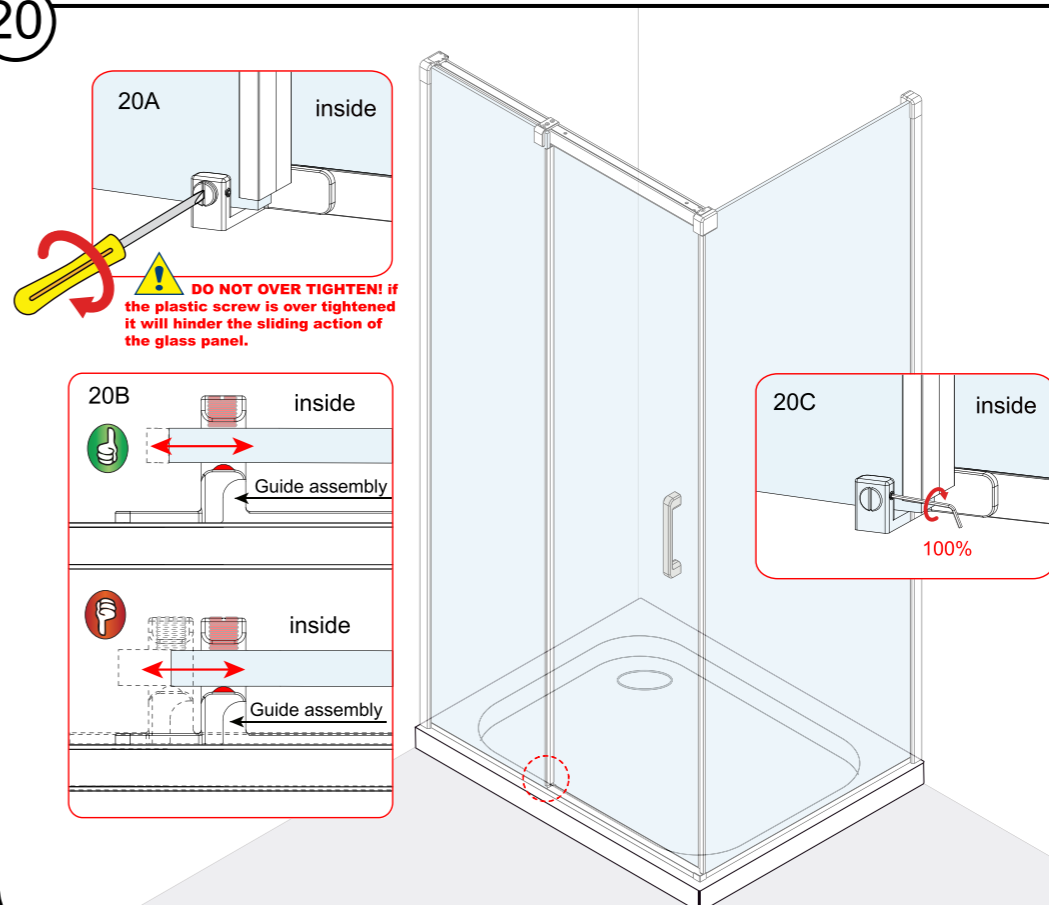
**18B** When fitting the inner handle make sure the grub screws are to the bottom.

**18C** Fit upright seals to the edge of the fixed panel and back edge of the moving panel.

**18D** Fixed panel seal should be tight to the threshold, moving panel seal needs to be above the bottom guide and not touching the top rail.

**18E** From the top slide the cover cap onto the wall bracket.

## 20



**20A** Adjust the plastic screw to gently rest against the glass panel.  
**NOTE:** This is to prevent rattling of the glass panel within the guide.

**20B** Open and close the moving glass panel to check that the door is sliding freely and movement within the guide is minimised.

**NOTE:** Ensure the entire guide assembly does not move with the sliding door as this is an indication that the plastic screw has been over tightened.

**20C** When satisfied with the plastic screw location, please ensure that the small grub screw is tightened to prevent any movement. This will keep the plastic screw in a fixed position.

**21**

Before sealing make sure all surfaces are clean, dry and free from any residue such as grout.

Use quality silicone sealant and applicator gun to finish the door.

**INSIDE**  
**21A** On the inside seal top to bottom between the wall profile and the wall.

**OUTSIDE**  
**21B** Seal along the bottom between the threshold and the tray. Seal 50mm vertically between the wall and the wall profile, and between the threshold and the wall profile.

**21C** Seal the all joints between the foot plates and threshold.

**21D** Seal between the bottom of the fixed panel seal and the cover strip.

Do not use the enclosure for 24 hours.

**22**

**Care And Maintenance Guide**

**22A**

Plastic card Dry cloth Wet cloth

Wet cloth

Dry cloth

**22B**

**22A** For cleaning the area between the top rail and the fixed glass panel use the micro fibre cloths and card provided. Using a mild detergent dampen one of the cloths and wrap it around the plastic card provided and push between the rail and the glass. Slide the cloth over and back until clean and repeat the process with the dry cloth to shine rail and glass.

**22B** The moving panel can be released from the bottom guide for ease of cleaning. From inside the enclosure slide the bottom guide away from the moving panel and pull the bottom of the panel towards you. Clean the area around the base of the shower. **Note:** make sure to put the moving panel back into the bottom guide when finished.

## MERLYN

Merlyn Showering  
 Unit 8, Purcellsinch Industrial Park,  
 Dublin Road, Kilkenny, Ireland.

Tel: 00353 56 779 1555

Fax: 00353 56 779 1576

[www.merlynshowering.com](http://www.merlynshowering.com)

To download the Declaration of Performance (DOP) for this product please use the link below.

<https://merlynshowering.com/aftersales-support/dop-certs/>