



IN2ITION[®]

- 2-In-1 Shower
- 4-Spray Setting Hand Shower

FEATURES:

- Touch-Clean[®] Nozzles

STANDARD SPECIFICATIONS

- Integrated hand shower docks securely into shower head when not in use
- Max flow rate 2.5 gpm @ 80 psi, 9.5 L/min @ 550 kPa (75490▲)
- Max flow rate 1.75 gpm @ 80 psi, 6.6 L/min @ 550 kPa (75491▲)
- Diverter allows for single or shared operation of shower head and hand shower
- Fixed shower head and hand shower all in one
- 60" (1524 mm) Stainless steel hose
- Hand shower with four spray settings - pause is a non-positive shut-off
- Ball connector swivel angle is 35° (17.5° per side)

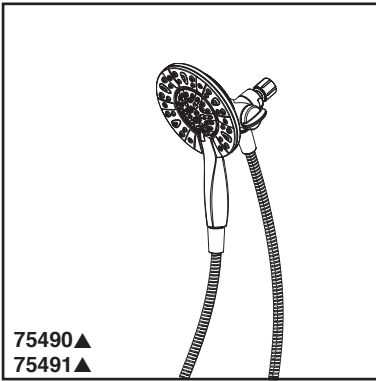
WARRANTY

- Parts and Finish - Lifetime limited warranty; or for commercial purchasers, 10 years for multi-family residential (apartments and condominiums) and 5 years for all other commercial uses, in each case from the date of purchase.
- Electronic Parts and Batteries (if applicable) - 5 years from the date of purchase; or for commercial purchasers, 1 year from the date of purchase. No warranty is provided on batteries.



COMPLIES WITH:

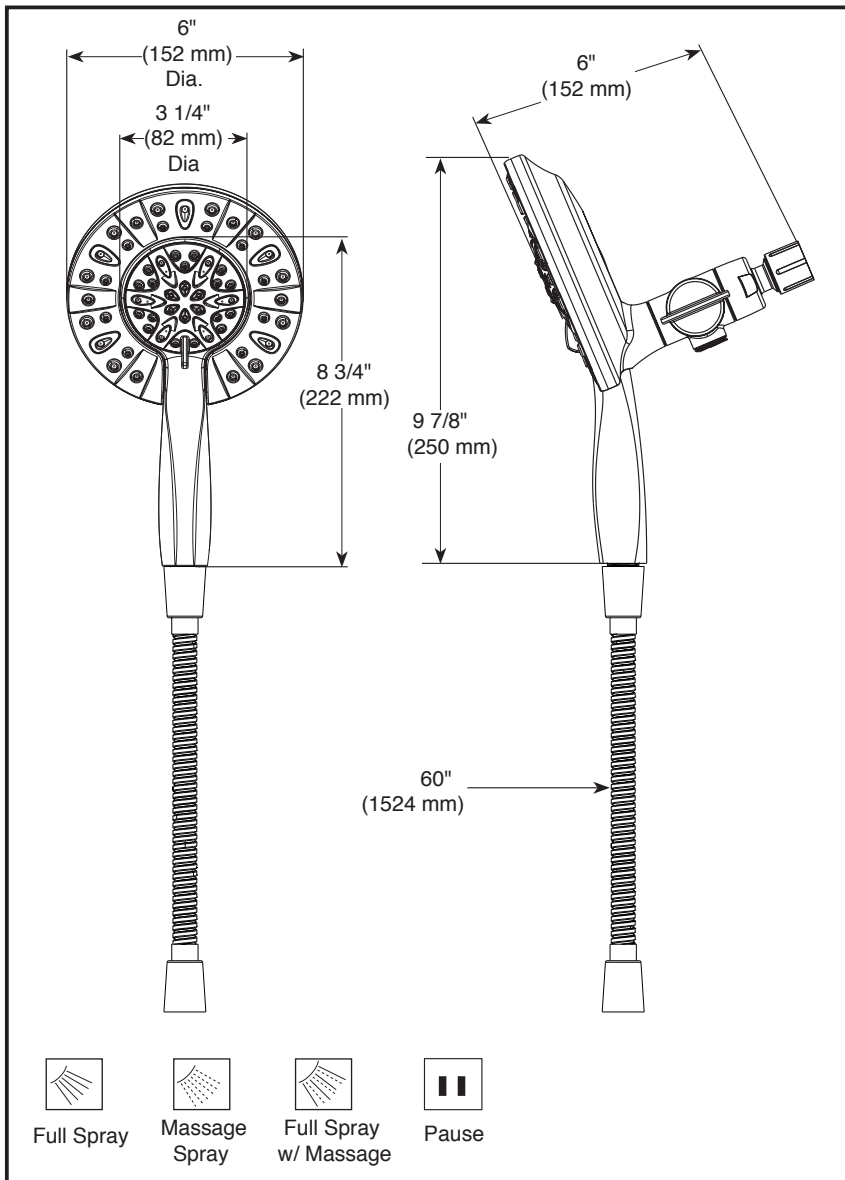
- ASME A112.18.1 / CSA B125.1
- EPA WaterSense[®] - applies to 75491 only



75490▲
75491▲

Submitted Model No.: _____

Specific Features: _____



▲ Designate proper finish suffix

Delta reserves the right (1) to make changes in specifications and materials, and (2) to change or discontinue models, both without notice or obligation. Dimensions are for reference only. See current full-line price book or www.deltafaucet.com for finish options and product availability.