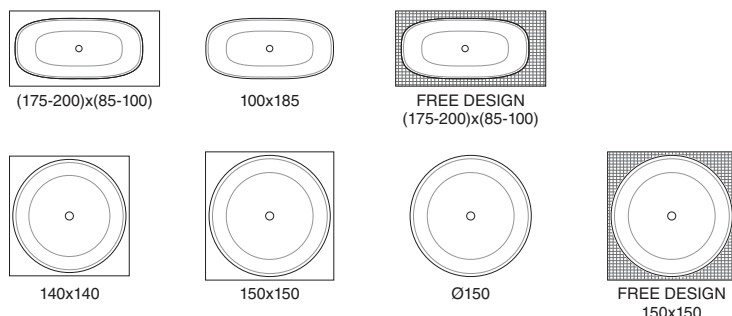


Description

Beta Fusion is a built-in Bathtub, manufactured using Scene[®]. The geometry is defined by soft curves and a round or ovate body. The different versions and free design variant provide the right character in terms of every interior design requirement, converting the Bathtub into the undisputed protagonist within the bathroom.

Formats



Material

- Scene[®]. A solid, homogeneous material with a renewable surface

Surface finish

- Smooth texture
- Matt finish

Colour



Standard

- Click-clack system waste valve Ø52 mm, Chrome

Optional

- Integrated slot overflow
- Equipment:
 - Cromotherapy
 - Air System
 - Cromotherapy + Air System
- Bathtub prepared for faucetry
- C12 Headrest in white or graphite

Installation

- Requires space beneath Bathtub to house valve (see pre-installation)
- Versions supplied with Hydromassage require underlying space to house electrical installation (see pre-installation)
- Versions with faucetry require necessary space for plumbing connection (see pre-installation)
- Built-in Hydromassage versions must have an access panel for both system ventilation and access to components that require maintenance

Features

- Suitable for private or public use
- Interior use
- Highly resistant to moisture
- Highly resistant to chemical agents
- Very hard surface, resistant to impact, abrasion and scratching

Norm compliant

- EN14516:2017 Baths for domestic purposes
- EN 12764:2016 Sanitary appliances. Specification for whirlpool baths

Information available

- General catalogue
- Pre-installation specifications
- Installation, use and maintenance manual
- CE Mark
- Declaration of performance
- Scene[®] characteristics sheet
- CAD, 2D and 3D Files



Presentation

- The bathtubs are supplied in a palletized crate