

E14322



Collection: ECO

Finish\*:



CP - Chrome

Main features:

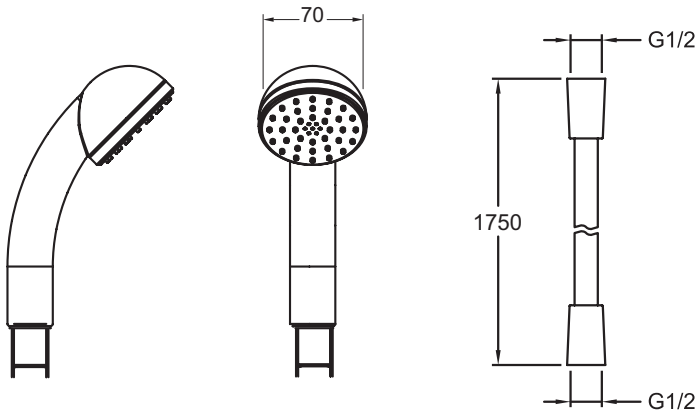


### Features

- WEIGHT: 1 kg
- Shower set double-interlock metallic hose 1.75 m and single-spray anti-scale hand-shower

- MATERIAL: Metal

### Technical drawing



Product Specification: Shower set. E14322. Collection: ECO. WEIGHT: 1 kg. MATERIAL: Metal. Shower set double-interlock metallic hose 1.75 m and single-spray anti-scale handshower.

\*Due to possible variations in computer and printer calibrations, technical factors and certain finish characteristics, the colors you see may not accurately portray the actual colors and are provided as a guide only.