

**EXAQ112**



**Collection:** NOUVELLE VAGUE

**Finish\*:**



00 - White

**Features**

- DIMENSIONS: 101 x 51 cm
- MATERIAL: Ceramic
- TAP DRILLING: 1 tap hole
- OVERFLOW: With
- RECOMMENDED BRASSWARE: Nouvelle Vague
- WEIGHT: 24 kg
- INSTALLATION TYPE: Self-supporting
- GROUND/UNGROUND: Without ground underside
- NUMBER OF VANITY BASINS FOR VANITY TOPS: Single basin

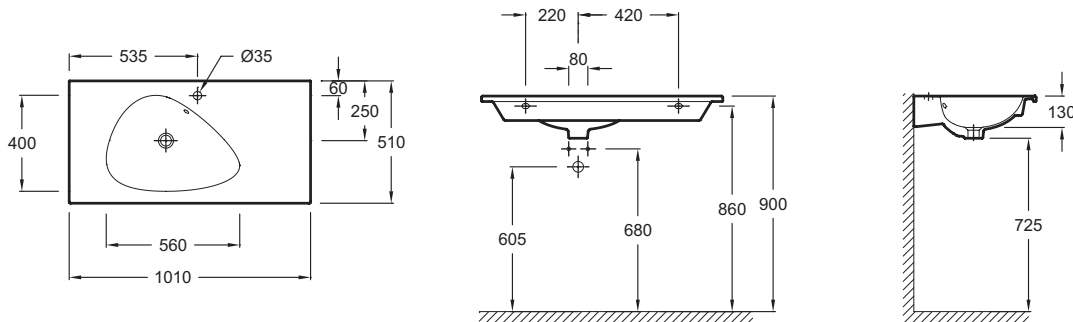
**Consumer benefits**

- DESIGN: Iconic 50s style à la française with modern functionalities and soft-cornered basin
- PRACTICAL: Wide side and rear ledge for daily comfort
- FUNCTIONALITY: Soft slopes for easy cleaning, deep basin reduces splashes

**Installation benefits**

- CLEAN, NEAT INSTALLATION: Bowl depth does not exceed total basin height, reduced cutout for top (trap, overflow channel and tap fittings)

**Technical drawing**



Product Specification: Vanity top 101 cm. EXAQ112. Collection: NOUVELLE VAGUE. DIMENSIONS: 101 x 51 cm. WEIGHT: 24 kg. MATERIAL: Ceramic. INSTALLATION TYPE: Self-supporting. TAP DRILLING: 1 tap hole. GROUND/UNGROUND: Without ground underside. OVERFLOW: With. NUMBER OF VANITY BASINS FOR VANITY TOPS: Single basin. RECOMMENDED BRASSWARE: Nouvelle Vague.

\*Due to possible variations in computer and printer calibrations, technical factors and certain finish characteristics, the colors you see may not accurately portray the actual colors and are provided as a guide only.