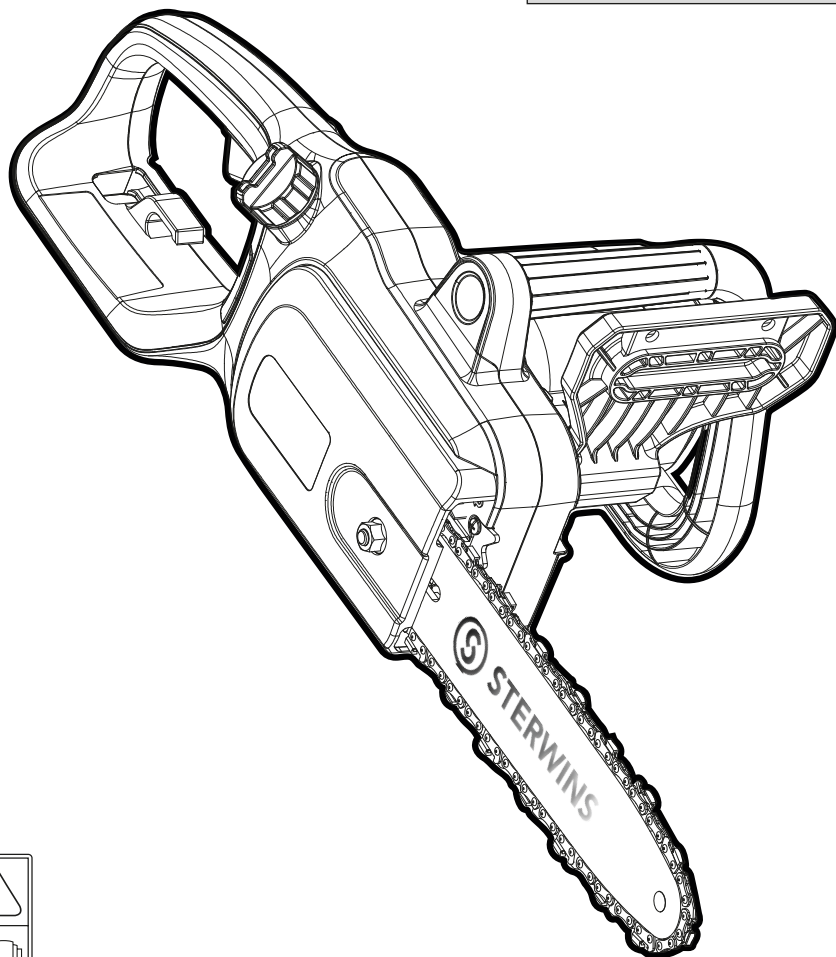


RU XXX
KZ XXX
EN Electrical Chainsaw



EAN : 3276007088533



Руководство По Технике Безопасности и Правовым нормам / Техникасы бойынша нұсқаулығы қауіпсіздік және құқықтық қамтамасыз ету / Legal & Safety Instructions



XXX → XXX



Сборка / Монтаждау / Assembly



XXX



Подготовка / Дайындау / Preparation



XXX



Использование / Пайдалану / Use



XXX → XXX



Уход / Қызмет көрсету / Maintenance



XXX → XXX



Зимний период / Қысқы мерзімде сақтау / Winter storage



XXX



Introduction

Thank you for choosing this product. Upon designing and manufacturing our products, we place all of our efforts into ensuring an excellent quality that meets the needs of the users. Following these instructions allow to optimize the lifetime

IMPORTANT! IN ORDER TO OBTAIN THE UTMOST SATISFACTION FROM THIS PRODUCT UPON SETTING IT UP, USING IT, AND MAINTAINING IT, WE RECOMMEND THAT YOU CAREFULLY READ THIS USER MANUAL BEFORE USING THE PRODUCT. PLEASE PAY ATTENTION TO BASIC WARNINGS RELATING TO SAFETY WITHIN THIS MANUAL, AND KEEP THE MANUAL FOR LATER REFERENCE.



**IMPORTANT, KEEP THE MANUAL FOR LATER REFERENCE :
READ CAREFULLY**

Contents

- | | |
|---|----------------|
| 1. Intended use of Electric Chainsaw 40cm | 6. Wintering |
| 2. Safety Instructions | 7. Storage |
| 3. Technical data | 8. Maintenance |
| 4. Assembly | 9. End of life |
| 5. Transportation | 10. Warranty |

1. INTENDED USE OF ELECTRIC CHAINSAW 40CM

This product is intended for outdoor use only, and must not be used inside a building under any circumstances. The Electric Chainsaw is only intended for use in dry and well-illuminated conditions.

This chain saw is only intended to be used for basic limbing, woodcutting, and remove buttress roots. All of the wooden objects intended to be cut with this chain saw should be no thicker than the guide bar's maximum cutting capabilities. It must not be used for cutting other materials, such as plastic, stone, metal or wood that contains foreign objects. Do not use it for others purposes. The maximum cutting capacity must be observed. Do not cut branches exceeding the stated maximum capacity. Do not use it for others purposes.

The product is not intended to be used by children or persons with reduced physical, mental or sensory capabilities.

After unwrapping the packing, make sure that the product is complete with its accessories (if any). If the product is damaged or has any defect, please do not use it and bring back it to your dealer.

If you give this tool to another people, please give him also this instruction manual.

Please note that our equipment has not been designed for use in commercial, trade or industrial applications. Our warranty will be voided if the machine is used in commercial, trade or industrial businesses or for equivalent purposes. This product has been designed to be used over a period of 3 years (Expected lifetime).

2. SAFETY INSTRUCTIONS



WARNING : Read all safety warnings and all instructions. Failure to follow the warnings and instructions may result in electric shock, fire and/or serious injury. Save all warnings and instructions for future reference.

2.1 GENERAL SAFETY WARNINGS

- Do not operate the product near glass enclosures, automobiles, trucks, window wells, drop-offs, etc. without properly adjusting the aim of the discharge.
- Do not force or overload the product. It will perform better and safer when it is used at the rate that it was designed to work at.
- If the product is already assembled, please make sure that all screws are tightly fixed before using it. If the product requires that you assemble it, please make sure upon opening the package that all the elements needed for setting up the product have been provided. If the product is damaged or has defects, do not use it and take it back to the nearest store.
- The term «power tool» in the warnings refers to your mains-operated (corded) power tool or battery-operated (cordless) power tool.

2.2 SYMBOLS ON THE PRODUCT



Single mark of circulation of products on the market of the Member States of the Customs Union.



Electrical products should not be discarded with household products. Used electrical products must be collected separately and disposed of at collection points provided for this purpose. Talk with your local authorities or dealer for advice on recycling.



Read and understand all instructions before operating the product, follow all warning and safety instructions.



Guaranteed sound power level (tested according to Directive 2000/14/EC as amended by 2005/88/EC).



Do not expose the product to rain or wet conditions.



Wear head protection.



Wear ear protection.



Wear safety glasses.



Wear protective gloves.



Wear safety boots.



Wear respiratory protection.



Remove power plug before carrying out maintenance or cleaning work.



Keep bystanders away.



This product is of protection class II. That means it is equipped with enhanced or double insulation.



Kick-back! Tip contact may cause the guide bar to move suddenly upward and backwards which may cause serious injury to the user.



Do not cut the trunk from the bottom.



Always use the product with two hands.



Do not use one hand when operating the product.

2.3 SYMBOLS IN THIS MANUAL



Type and source of the danger : Failure to observe this warning may result in physical injury or death.



Type and source of the danger: This symbol indicates that damage to the appliance, the environment or other property may occur as a result of non-observance of this warning.



Note : This symbol indicates important information for better understanding of the product.



Read the manual: This symbol indicates that you need to read the user manual carefully.



Please refer to the corresponding illustration at the end of the booklet.



Green point : Packaging recycling.



This product is recyclable. If it cannot be used anymore, please take it to waste recycling center.



Recycling code of paper.

2.4 WORK AREA SAFETY

- Keep work area clean and well lit. Cluttered or dark areas invite accidents.
- Do not operate power tools in explosive atmospheres, such as in the presence of flammable liquids, gases or dust. Power tools create sparks which may ignite the dust or fumes.
- Keep children and bystanders away while operating a power tool. Distractions can cause you to lose control.

2.5 ELECTRICAL SAFETY



WARNING ! This product produces an electromagnetic field during operation! This field may under some circumstances interfere with active or passive medical implants! To reduce the risk of serious or fatal injury, we recommend persons with medical implants to consult their doctor and the medical implant manufacturer before operating this product !

- Do not expose power tools to rain or wet conditions. Water entering a power tool will increase the risk of electric shock.
- Power tool plugs must match the outlet. Never modify the plug in any way. Do not use any adapter plugs with earthed (grounded) power tools. Unmodified plugs and matching outlets will reduce risk of electric shock.
- Avoid body contact with earthed or grounded surfaces, such as pipes, radiators, ranges and refrigerators. There is an increased risk of electric shock if your body is earthed or grounded.
- Do not expose power tools to rain or wet conditions. Water entering a power tool will increase the risk of electric shock.
- Do not abuse the cord. Never use the cord for carrying, pulling or unplugging the power tool. Keep cord away from heat, oil, sharp edges or moving parts. Damaged or entangled cords increase the risk of electric shock.
- When operating a power tool outdoors, use an extension cord suitable for outdoor use. Use of a cord suitable for outdoor use reduces the risk of electric shock.
- If operating a power tool in a damp location is unavoidable, use a residual current.

2.6 PERSONAL SAFETY

- Stay alert, watch what you are doing and use common sense when operating a power tool. Do not use a power tool while you are tired or under the influence of drugs, alcohol or medication. A moment of inattention while operating power tools may result in serious personal injury.
- Use personal protective equipment. Always wear eye protection. Protective equipment such as dust mask, non-skid safety shoes, hard hat, or hearing protection used for appropriate conditions will reduce personal injuries.
- Prevent unintentional starting. Ensure the switch is in the off-position before connecting to power source and/or battery pack, picking up or carrying the tool. Carrying power tools with your finger on the switch or energising power tools that have the switch on invites accidents.
- Adjusting key or wrench before turning the power tool on. A wrench or a key left attached to a rotating part of the power tool may result in personal injury.
- Do not overreach. Keep proper footing and balance at all times. This enables better control of the power tool in unexpected situations.
- Dress properly. Do not wear loose clothing or jewellery. Keep your hair, clothing and gloves away from moving parts. Loose clothes, jewellery or long hair can be caught in moving parts.
- If devices are provided for the connection of dust extraction and collection facilities, ensure these are connected any a

2.7 POWER TOOL USE AND CARE

- Some regions have regulations that restrict the use of the product in some operations. Check with your local authority for advice.
- Do not allow children, persons with reduced physical, sensory or mental capabilities or lack of experience and knowledge, or people unfamiliar with these instructions to use the product. Local regulations may restrict the age of the operator.
- Keep in mind that the operator or user is responsible for accidents or hazards occurring to other people or their property.
- While operating the product, always wear substantial footwear and long trousers. Do not operate the machine when barefoot or when wearing open sandals. Avoid wearing clothing that is loose fitting or that has hanging cords or ties; they can be caught in moving parts.
- Secure long hair so it is above shoulder level to prevent entanglement in moving parts.
- Before each use, ensure that all controls and safety devices function correctly. Do not use the tool if the off switch does not stop the product.
- Before each use, always inspect the housing for damage. Ensure that guards and handles are in place and properly secured.
- Always inspect the tool before use, and after any impact, check for sign of wear or damage and repair as necessary, especially the parts of the cutting head.
- Never use the product standing on steps or a ladder. Do not work over should height.
- Never operate the product with defective guards or shields, or without safety devices, such as debris collector, in place.
- Clear the work area before each use.
- Wear a face filter mask in dusty conditions to reduce the risk of injury associated with the inhalation of dust.
- Do not point the product in the direction of people or pets.
- Do not operate the product near open windows, etc.
- Do not use the power tool if the switch does not turn it on and off. Any power tool that cannot be controlled with switch is dangerous and must be repaired.
- Always inspect the tool before use, and after any impact, check for sign of wear or damage and repair as necessary, especially the parts of the cutting head.
- Never use the product standing on steps or a ladder. Do not work over should height.
- Disconnect the plug from the power source and/or the battery pack from the power tool before making any adjustments, changing accessories, transporting or storing power tools. Such preventive safety measures reduce the risk of starting the power tool accidentally.

- Store idle power tools out of the reach of children and do not allow persons unfamiliar with the power tool or these instructions to operate the power tool. Power tools are dangerous in the hands of untrained users.
- Maintain power tools. Check for misalignment or binding of moving parts, breakage of parts and any other condition that may affect the power tool's operation. If damaged, have the power tool repaired before use. Many accidents are caused by poorly maintained power tools.
- Keep cutting tools sharp and clean. Properly maintained cutting tools with sharp cutting edges are less likely to bind and are easier to control.
- Use the power tool, accessories and tool bits etc. in accordance with these instructions, taking into account the working conditions and the work to be performed. Use of the power tool for operations different from those intended could result in a hazardous situation.
- Have your power tool serviced by a qualified repair person using only identical replacement parts. This will ensure that the safety of the power tool is maintained.

2.8 ELECTRIC CHAINSAW SAFETY WARNINGS

- Use this chain saw only for the purposes it was designed, do not aim the chain saw at any people or animals.
- Store chain saw indoors – when not in use, chain saw should be stored indoors in dry, locked-up place – out of reach of children.
- Keep all parts of the body away from the saw chain when the chainsaw is operating. Before you start the chainsaw, make sure the saw chain is not contacting anything. A moment of inattention while operating chainsaws may cause entanglement of your clothing or body with the saw chain.
- Always hold the chainsaw with your right hand on the rear handle and your left hand on the front handle. Holding the chainsaw with a reversed hand configuration increases the risk of personal injury and should never be done.
- Hold the power tool by insulated gripping surfaces only, because the saw chain may contact hidden wiring or its own cord. Saw chains contacting a "live" wire may make exposed metal parts of the power tool "live" and could give the operator an electric shock.
- Wear safety glasses and hearing protection. Further protective equipment for head, hands, legs and feet is recommended. Adequate protective clothing will reduce personal injury by flying debris or accidental contact with the saw chain.
- Do not operate a chainsaw in a tree. Operation of a chainsaw while up in a tree may result in personal injury.

- Always keep proper footing and operate the chainsaw only when standing on a fixed, secure and level surface. Slippery or unstable surfaces such as ladders may cause a loss of balance or control of the chain saw.
- When cutting a branch that is under tension be alert for spring back. When the tension in the wood fibers is released the spring loaded limb may strike the operator and/or throw the chainsaw out of control.
- Use extreme caution when cutting bush and saplings. The slender material may catch the saw chain and be whipped toward you or pull you off balance.
- Carry the chain saw by the front handle with the chainsaw switched off and away from your body. When transporting or storing the chainsaw always fit the guide bar cover. Proper handling of the chainsaw will reduce the likelihood of accidental contact with the moving saw chain.
- Follow instructions for lubricating, chain tensioning and changing accessories. Improperly tensioned or lubricated chain may either break or increase the chance for kick-back.
- Keep handles dry, clean and free from oil and grease. Greasy, oily handles are slippery causing loss of control.
- Cut wood only. Do not use chainsaw for purposes not intended. For example: do not use chainsaw for cutting plastic, masonry or non-wood building materials. Use of the chainsaw for operations different than intended could result in a hazardous situation.
- It is recommended that first-time users should, as a minimum practice, cut logs on a saw-horse or cradle.

2.9 RESIDUAL RISKS

- Familiarize yourself with the use of this product by means of this instruction manual. Memorize the safety directions and follow them to the letter. This will help to prevent risks and hazards. Always be alert when using this product, so that you can recognize and handle risks early. Fast intervention can prevent serious injury and damage to property. Switch off if there are malfunctions.
- Even if all instructions are strictly followed, there are still some factors that could lead to hazards, such as :
 - Thrown out pieces of the work piece.
 - Vibration injuries : use designated handles and try to reduce working time and exposure.
 - Injuries caused by noise : wear ear protection and reduce working time and exposure.
 - Inhalation of dust and particles.
 - Wear eye protection at all times.

If you experience any of these factors while using the machine, stop the machine consult your doctor immediately

- Injuries may be caused or aggravated by prolonged use of a tool. When using any tool for prolonged periods, ensure you take regular breaks.
- Prolonged use of the product exposes the user to vibrations that can cause a range of conditions collectively known as hand-arm vibration syndrome (HAVS) e.g. fingers going white; as well as specific diseases such as carpal tunnel syndrome.
- To reduce this risk when using the product, always wear protective gloves and keep your hands warm.

3. TECHNICAL DATA

Model	40ECS1-2000.1
Power level	2000W
Voltage	220V
Frequency	50Hz
Machine weigh	3.6kg
Chain reference	
Chain gauge	
Chain pitch	
Guide bar model	YS16-56-507P
Guide bar length	40cm
Cutting capacity	37cm
Guide bar width	1.3mm
Oil type	Anti-wear hydraulic oil
Oil control	Automatic
Oil tank capacity (cm^3)	120 cm ³
Chain speed (m/s)	No load : 14 m/s
No-load speed (min-1)	7500
Guaranteed sound power level (dB(A))	
Measured sound power level (dB(A))	
No load current	5A
Maximum current	
IP Degree	IP2X
Max Vibration level (K=1.5m/s2)	
Max Sound Pressure Level	

The declared vibration total value has been measured in accordance with a standard test method and may be used for comparing one tool with another. The declared vibration total value may also be used in a preliminary exposure assessment. The vibration emission during actual use of the power tool can differ from the declared total value depending on the ways in which the tool is used; and it may be necessary to identify safety measures to protect the operator that are based on an estimation of exposure in the

actual conditions of use (taking into account all parts of the operating cycle such as the times when the tool is switched off and when it is running idle in addition to the trigger time).

RU

KZ

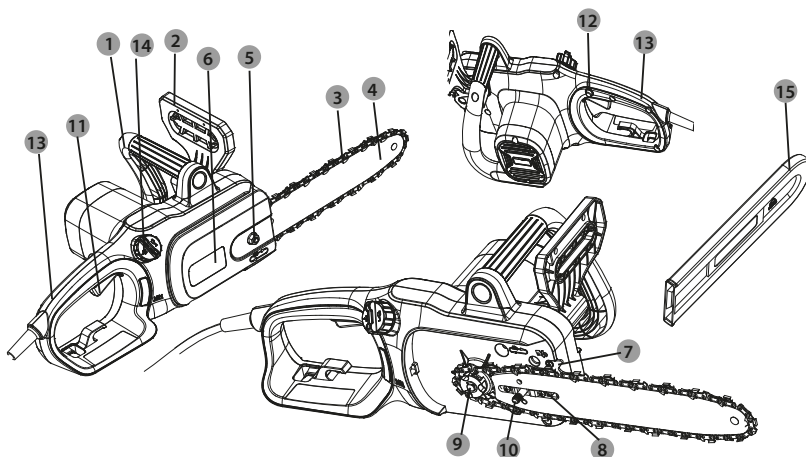
EN

4. ASSEMBLY



WARNING! The product must be fully assembled before operation! Do not use a product that is only partly assembled or assembled with damaged parts!

4.1 UNBOXING



- | | |
|-----------------------------|----------------------------|
| 1. Front handle | 9. Sprocket |
| 2. Safety chain brake lever | 10. Chain tension screw |
| 3. Chain | 11. Main switch |
| 4. Guide bar | 12. Safety lock-off button |
| 5. Clamp nut | 13. Rear handle |
| 6. Chain cover | 14. Chain oil cap |
| 7. Metal bump spikes | 15. Guide bar cover |
| 8. Locking pin | 16. Tensioning bolt |

- Wear gloves when unboxing.

- Do not use cutter, knife, saw or any other similar tool for unboxing.
- Carry the tool only by the handle.
- Risk of fire in case of dry vegetation in the neighborhood.
- The engine shall always be OFF when the machine is left on the ground.
- Keep the box for further reuse (transport and storage).
- Keep the instruction manual in a dry area for further consultation.

4.2 **INSTALLATION**

Assemble the guide bar and the saw chain : illustration (2.1) to (2.9)

1. Place the saw body on a firm and level surface.
2. Rotate the clamp nut to remove the cover from the saw's body.
3. Rotate the locking pin, let the tensioning bolt at the proposal position.
4. With the help of protective gloves, wrap the saw chain around the guide bar, making sure that the teeth are aimed in the direction of rotation. The chain should be properly set in the slot running along the entire outside edge of the guide bar.
5. Place the saw chain around the sprocket while lining up the slot in the guide bar with the internal bolt at the base of the saw and the tensioning bolt in the guide bar's pin hole. The chain tensioning pin may need adjustment to properly align with the hole in the guide bar. Use the chain tensioning wheel to adjust its location until it fits in the guide bar.
6. Turn the chain tensioning wheel to preliminarily tighten the guide bar enough that it stays in place. While holding the bar still, place the cover back onto the saw. Make sure the tab properly lines up with the slot on the body of the saw. Lock the cover in place with the lock screw by turning it clockwise until it engages.

Tensioning the chain : illustration (2.5) and (2.9)

Rotating the tension screw upwards increases the tension while rotating it downwards decreases tension. A properly tensioned chain should have no sag and should only be able to be pulled 2-3 mm away from the chain bar of the saw.



Note: The saw chain must be tensioned properly in order to ensure safe operation.

The chain tension is optimal if the saw chain can be lifted 3 mm from the center of the guide bar. Since the saw chain heats up during operation, its length can therefore fluctuate. Check the chain tension every 10 minutes of operation and adjust as necessary, particularly for new saw chains. Slacken the saw chain after the work is completed since it shortens when cooling down. In doing so, you can elongate the chain's life and prevent damage.

4.3 **PREPARATION**

Before each use, check the following items to ensure safe working conditions.

Chain saw:

Before beginning work, inspect the chain saw for damage to the housing, the saw chain, the guide bar and the power cord. Never use an obviously damaged machine.

Chain oil:

Check the fill level of the oil tank. Also check whether there is sufficient oil available while working. Never operate the saw if there is no oil or the oil level has dropped below the minimum oil level mark, in order to prevent damage to the chain saw. On average, an oil filling is sufficient for approximately 10 minutes of cutting operation (depending the duration of pauses and the density of the work piece).

Saw chain:

Check the tension of the saw and the condition of the saw. The sharper the saw chain is, the easier and more manageable operations will be. The same applies to chain tension. Check the tension every 10 minutes of operation to maximise safety. New saw chains in particular are subject to changes due to the heat created by operation.

Safety equipment and protective clothing:

Make absolutely sure to wear the appropriate close-fitting protective clothing such as protective pants, gloves and safety shoes. Wear a safety helmet with integrated hearing protection and a face guard to provide protection against falling and recoiling branches. Do secure long hair so that it is above shoulder level. Use the following safety clothing and protective equipment when operating the product:

- Helmet with visor and neck guard
- Hearing protectors
- Breathing mask
- Gloves with approved saw protection
- Protective leggings with approved saw protection
- Steel toe cap boots with approved saw protection
- First aid kit in case of injury.

Filling the auto oil system : illustrations 3.3 and 3.4

CAUTION! The chain saw is NOT supplied filled with oil. It is essential to fill with oil before use. Never operate the chain saw without chain oil or at an empty oil tank level, as this will result in extensive damage to the product. Chain life and cutting capacity depends on optimum lubrication. Therefore, the chain is automatically oiled during operation via the oil outlet. This chain saw features an auto-oiling system to keep the chain and guide bar properly lubricated. The oil level indicator shows the remaining oil in the chainsaw. If the oil level decreases to below one quarter capacity, refill it with the proper bar and chain oil. To fill the oil reservoir:

1. Remove the oil cap. Fill the reservoir with bar and chain oil until the oil level has reached full capacity.
2. Put the oil cap back on. Make sure to check the oil level after every 10 minutes of use. Unplug the chain saw before checking oil levels or filling the oil reservoir.



CAUTION ! To prevent oil leakage, ensure machine is left in a horizontal position (oil filler cap upright) when not in use. Use only the recommended oil to avoid damage to the chain saw. Never use recycled/old oil.

4.4 FIRST USE

WARNING ! Read the « SAFETY INSTRUCTION » section at the beginning of this manual including all text under subheading therein before using this product.



We strongly recommend that before use of this product, you attend a chainsaw training course to familiarise yourself with the maintenance and usage of these products! Thoroughly read this manual and adhere to all safety instructions at all times. The manufacturer will not be held liable for any accidents/injuries caused due to misuse or incorrect maintenance of t is product!

1. To become proficient, attend a recognised chainsaw training course to learn how to operate chainsaws safely and effectively. Familiarise yourself with all the controls and switches. Practice all movements with the product switched off .

2. Always hold the product firmly with both hands; front handle with the left hand and rear handle with the right hand. Fully grip both handles at all times during operation. Never operate the product using only one hand.

3. Only use the product with a secure stance. Hold the product at the right-hand side of your body.

NOTE : Any other cutting positions should not be used with this product except the chainsaw.

Pay particular attention using the machine for the first time : focus and dedicate all your attention to this first use. Make the first trial on a free space with no obstacle and no surrounding element

4.5 OPERATION

Switching on/off : illustration (4.1)

To turn the tool ON, push and hold the safety lock-off button with your thumb, while squeezing the ON/OFF trigger switch. Once the trigger switch engages, you can release the safety lock-off button and proceed with operation. The safety lock-off button reduces the risk of accidental starting. To turn the tool OFF, release the ON/OFF trigger switch.

Operation safety warnings :

- Check the product as well as accessories for damage before each use. Do not use the product if it is damaged or shows wear.
- Double check that the accessories and attachments are properly fixed.
- Always hold the product on its handle. Keep the handle dry to ensure safe support.
- Ensure that the air vents are always unobstructed and clear. Clean them if necessary with a soft brush. Blocked air vents may lead to overheating and damage the product.
- Switch the product off immediately if you are disturbed while working by other people entering the working area. Always let the product come to complete stop before putting it down.
- Do not overwork yourself. Take regular breaks to ensure you can concentrate on the work and have full control over the product.
- Before switching the product on, check whether it has been assembled correctly and all the moving parts are running smoothly.
- We recommend slightly dampening surfaces in dusty conditions or using a mister attachment.

- Operate the product only at reasonable hours – not early in the morning or late at night when people might be disturbed.
- Avoid using the product in bad weather conditions, especially when there is a risk of lightning. Do not operate the product in poor lighting. The operator requires a clear view of the work area to identify potential hazards.
- Operating similar tools nearby increases both the risk of hearing injury and the potential for other persons to enter your work area.
- Keep firm footing and balance.
- Do not overreach. Overreaching can result in loss of balance. Always be sure of the footing on slopes.
- Walk, never run. Keep all parts of your body away from any moving part.
- Never run the product without the proper equipment attached.
- Do not modify the product in any way or use parts and accessories that are not recommended by the manufacturer.



If the product is dropped, suffers heavy impact or begins to vibrate abnormally, immediately stop the product and inspect for damage or identify the cause of the vibration. Any damage should be properly repaired or replaced by an authorized service center.

- To reduce the risk of injury associated with contacting rotating parts, always stop the machine and make sure all moving parts have stopped:
 - before cleaning or clearing a blockage
 - when leaving the product unattended
 - before installing or removing attachments
 - before checking, maintaining or working on the product
 - if the machine starts to vibrate abnormally (inspect immediately)

4.6 CUTTING TIPS

Kickback: Illustration (4.2)

Reactive forces may occur any time the chain is rotating. Reactive forces can cause serious personal injury. The powerful force used to cut wood can be reversed and work against the operator. If the rotating saw chain is suddenly and significantly slowed or stopped by contact with any solid object such as a log or branch or is pinched, the reactive forces may occur instantly. These reactive forces may result in loss of control, which, in turn, may cause serious or fatal injury. An understanding of the causes of these reactive forces may help you avoid the element of surprise and loss of control. Surprise contributes to accidents.

Rotational kickback can happen when the upper tip of the guide bar contacts an object while the chain is moving. This can cause the chain to dig into the object and momentarily stop moving. The guide bar is then kicked up and back toward the operator in a lightning-fast reverse reaction.

Linear kickback can happen when the wood on either side of a cut closes in and pinches the moving saw

chain a long the top of the guide bar. This can cause the chain to instantly stop. The chain force is then reversed, causing the saw to move in the opposite direction, sending the saw straight back toward the operator.

Either of these reactions may cause you to lose control of the saw which could result in serious personal injury. Do not rely exclusively upon the safety devices built into your saw. Many factors influence the occurrence and force of the kickback reaction. These include saw chain speed, the speed at which the bar and saw chain contact the object, the angle of contact, the condition of the saw chain and other factors.

How to avoid kickback

- 1) Hold the chain saw firmly with both hands and maintain a secure grip. Don't let go of the chain saw.
- 2) Be aware of the location of the guide bar nose at all times. Never let the nose of the guide bar contact any object. Do not cut limbs with the nose of the guide bar. Be especially careful near wire fences and when cutting small, tough limbs, small size brush and saplings which may easily catch the saw chain.
- 3) Don't overreach. Don't cut above shoulder height. Do not attempt to plunge cut if you are not experienced with these cutting techniques.
- 4) Begin cutting and continue at full throttle. Cut only one log at a time.
- 5) Use extreme caution when reentering a previous cut.
- 6) Be alert for shifting of the log or other forces that may cause the cut to close and pinch the saw chain.
- 7) Maintain saw chain properly. Cut with a correctly sharpened, properly tensioned saw chain at all times. Only use replacement bars and chains specified by the manufacturer. Incorrect replacement bars and chains may cause chain breakage and/or kickback.

Limbing and bucking illustration (4.3) to (4.5)

Limbing is removing the branches from a fallen tree. Start limbing by leaving the lower limbs to support the log off the ground. When under-bucking freely hanging limbs, a pinch may result or the limb may fall, causing loss of control. If a pinch occurs, stop the engine and remove the saw by lifting the limb. Remove the small limbs in one cut. Branches under tension should be cut from the bottom up to avoid binding the product. Bucking is cutting a log into lengths. It is important to make sure your footing is firm and your weight is evenly distributed on both feet. When possible, the log should be raised and supported by the use of limbs, logs or chocks. Do not stand on the log. Make sure the log will not roll downhill. If on a slope, stand on the uphill side of the log. Watch out for rolling logs. Shattered wood should be cut very carefully. Sharp splinters of wood may be caught and flung in the direction of the operator of the saw. Don't let the chain contact the ground. Logs under strain: Risk of pinching! Always start relieving cut at compression side. Then make bucking cut at tension side. If the saw pinches, stop the engine and remove it from the log. Only properly trained professionals should work in an area where the logs, limbs and roots are tangled. Drag the logs into a clear area before cutting. Pull out exposed and cleared logs first.

When the log is supported on one end, cut 1/3 the diameter from the underside (under buck). Then make the finished cut by over bucking to meet the first cut. When the log is supported on both ends, cut 1/3 the diameter from the top (over buck). Then make the finished cut by under bucking the lower 2/3 to meet the first cut. When "cutting through", to maintain complete control release the cutting pressure near the end of the cut without relaxing your grip on the product handles. Always stop the engine before moving from tree to tree. If the wood diameter is large enough for you to insert a soft bucking wedge without touching the chain, you should use the wedge to hold the cut open to prevent pinching.

Always support small logs on a sawing stand or another log while bucking.

Pull in

Pull-in occurs when the saw chain on the bottom of the bar is suddenly stopped when it is pinched, caught or encounters a foreign object in the wood. The reaction of the saw chain pulls the chain saw

forward and may cause the operator to lose control. Pull-in frequently occurs when the bumper spike of the chain saw is not held securely against the tree or limb and when the saw chain is not rotating at full speed before it contacts the wood.

Use extreme caution when cutting small size brush and saplings which may easily catch the saw chain, be whipped towards you or pull you off balance.

How to avoid pull in :

- 1) Always start a cut with the saw chain rotating at full speed and the bumper spike in contact with the wood.
- 2) The risk of pull-in may also be reduced by using wedges to open the kerf or cut.

Push-back

Push-back occurs when the saw chain on the top of the bar is suddenly stopped when it is pinched, caught or encounters a foreign object in the wood. The reaction of the saw chain may drive the chain saw rapidly straight back toward the operator and may cause loss of chain saw control, which, in turn, may cause serious or fatal injury. Push-back frequently occurs when the top of the bar is used for cutting.

How to avoid push-back :

- 1) Be alert to forces or situations that may cause material to pinch the top of the saw chain. Do not cut more than one log at a time.
- 2) Do not twist the chain saw when withdrawing the bar from a plunge cut or under-buck cut because the saw chain can pinch.

4.7 AFTER USE

Switch the product off and let it cool down. Check, clean and store the product as described below.

5. TRANSPORTATION

Transporting the machine may require that you meet certain requirements specific to your country. Please make sure to respect them by contacting the authorities of your country, in order to respect them all. Ensure temperature during transportation will never be out of temperature range given on chapter storage. Switch the product off.

Protect the product from any heavy impact or strong vibrations which may occur during transportation in vehicles. Secure the product to prevent it from slipping or falling over.

6. WINTERING

Follow all instructions given on chapter storage below. We recommend using the original package for storage or covering the product with a suitable cloth or enclosure to protect it against dust.

7. STORAGE

Store the machine : Illustration (6.1)

Shutdown the power tool. Examine the unit thoroughly for worn, loose or damaged parts. Clean the unit before storing and remove the oil from the tank. Remove the chain and the chain bar.

Only store the machine in a clean, dry, ventilated place with a temperature range of 4°C to 24°C. Cover it in order to provide added protection. We recommend using the original package for storage or covering the product with a suitable cloth or enclosure to protect it against dust. Be sure to secure the unit while transporting

Do not expose the product to sunlight. Make sure the product is always protected from cold and humidity.

8. MAINTENANCE

8.1 CLEANING AND SERVICING

 **DANGER! Risk of injury due to electric shock.**
Shutdown the power tool before adjusting, inspecting, cleaning or storing the product.

 **WARNING ! Do not handle cutting parts without gloves as they are sharp and can become hot after use, potentially causing personal injury.**

Cleaning the product : Illustration (5.1)

Keep all safety devices, air vents, and motor housing free of debris and dirt. Wipe down the equipment with a cloth. It is highly suggested that you clean the device after every use. Do not use cleaning agents, as these can attack the plastic and weaken the structural integrity of the product.

Remove and brush clean the cover plate, chain and chain bar after 1 to 3 hours of use. Clean the area under the cover plate, the drive sprocket and chain bar assembly using a soft brush. Clean oil outlet with a clean cloth. Do not place other objects on the chain saw.

8.2 REPLACEMENT

Part	Action	Before/After each usage	Every 10H
CHAIN	CHECK		
	CLEAN		
	CHANGE	WHEN IT'S NECESSARY / REFER TO TROUBLE SHOOTING	
	GREASE		
	SHARP		
CHAIN BAR	CHECK		
	CLEAN		
	CHANGE	WHEN IT'S NECESSARY / REFER TO TROUBLE SHOOTING	
	GREASE		
RIM DRIVE SPROCKET	CHECK		
	CLEAN		
POWER CABLE	Check		

If the replacement of the supply cord is necessary, this has to be done by the manufacturer or his agent in order to avoid a safety hazard.



WARNING! When handling saw chains, always wear protective gloves.

Checking the automatic chain lubrication

Regularly check the functionality of the automatic chain lubrication in order to prevent overheating and the subsequent damage to the chain bar and saw chain associated with it. For this purpose, align the chain bar tip against a smooth surface (board, cut-in of a tree) and allow the chain saw to run. If an increasing amount of oil appears, the automatic chain lubrication functions properly.

Lubricate sprocket

NOTE: It is not necessary to remove the chain or bar when lubricating the sprocket.

1. Clean the bar and sprocket.
2. Using a grease gun, insert the tip of the gun into the lubrication hole and inject grease until it appears at the outside edge of the sprocket tip.
3. To rotate the sprocket release the chain stop and pull the chain by hand until the ungreased side of the sprocket is in line with the grease hole. Repeat the lubrication procedure.

Sharpening the saw chain

Keep chain sharp. Your saw will cut faster and more safely. A dull chain will cause undue sprocket, guide bar, chain, and motor wear. If you must force chain into wood and cutting creates only sawdust with a few large chips, then chain is dull. Purchase a new chain, have your chain sharpened professionally at a qualified service center, or sharpen the chain yourself using a proper sharpening kit. The height difference between the cutting tip and the ridge is the depth gauge setting. When you sharpen the cutting tip, the depth gauge setting between the tip and the side plate ridge will decrease. To maintain optimal cutting performance, the ridge has to be filed down to achieve the recommended depth gauge setting.

To sharpen the chain :

1. Using protective gloves, ensure the chain is correctly tensioned on the guide bar.
 2. Use a round file with a diameter 1.1 times the cutting tooth depth. Make sure 20% of the file diameter is above the cutter's top plate.
- NOTE:** A file guide is available from most chainsaw retailers and is the easiest way to hold the file at the correct position.
3. File at an angle perpendicular to the bar, and at an angle of 25° to the direction of travel.
 4. File each tooth from the inside towards outside only. File one side of the chain first then turn the saw around and repeat the process.

- Sharpen each tooth equally by using the same number of strokes.
- Keep all cutter lengths equal. Each time the cutting tip is sharpened the cutting length is reduced. When the cutter length is reduced to 0.16 inch (4 mm), the chain is worn out and should be replaced.
- The depth gauge setting is also reduced with each sharpening. Every 5 sharpenings use a depth gauge measuring tool to check the height between the cutting tip and the ridge. When necessary, use a flat file to file down the ridge to achieve the .025 inch depth gauge setting. Depth gauge measuring tools are available from most chainsaws retailers.
- If the saw is not functioning properly, take it to a qualified chainsaw service center to have the saw inspected. Use only identical parts as listed in this manual.

Replacing the saw chain and chain bar

Approved saw bar/saw chain

Replace chain when cutters are too worn to sharpen or when chain breaks. Only use replacement chain noted in this manual. Always include new drive sprocket when replacing chain. This will maintain proper driving of chain.

1. Place the saw body on a firm and level surface.

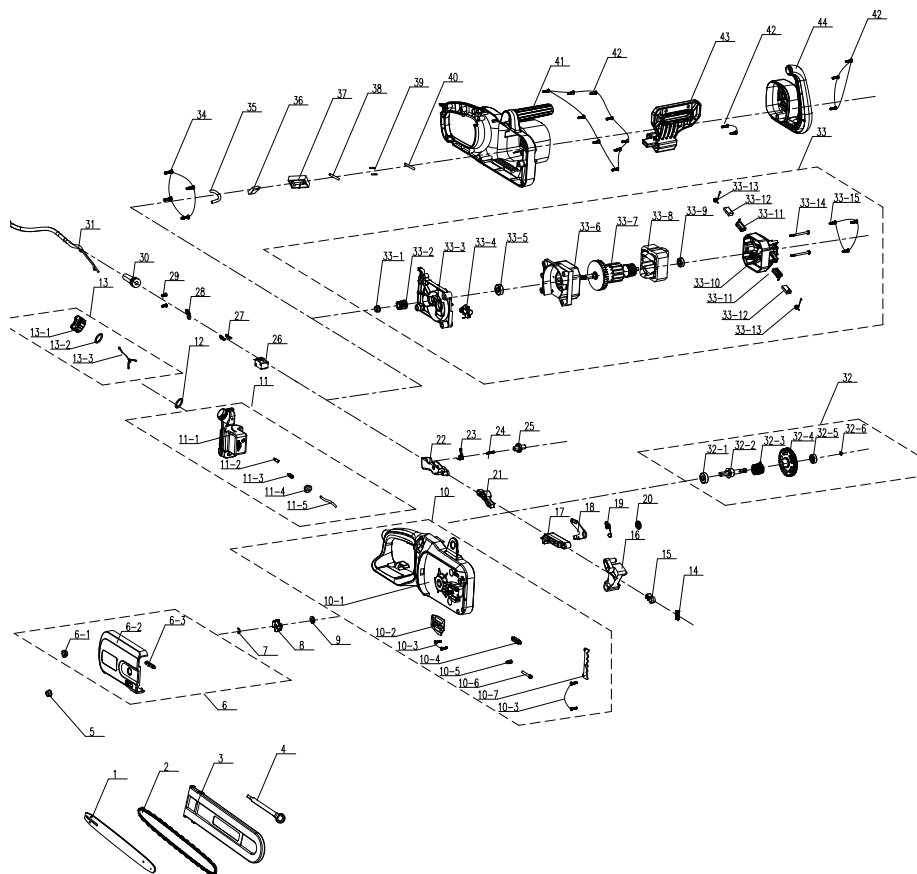
2. Rotate the bar adjust locking knob anticlockwise to remove the cover from the saw's body.

3. Wearing protective gloves, wrap the saw chain around the chain bar, making sure that the teeth are aimed in the direction of rotation. The chain should be properly set in the slot running along the entire outside edge of the chain bar.

4. Place the saw chain around the sprocket) while lining up the slot in the chain bar with the internal bolt at the base of the saw and the chain tensioning pin in the chain bar's pin hole. The chain tensioning pin may need adjustment to properly align with the hole in the chain bar. Use the chain tensioning wheel to adjust its location until it fits in the chain bar.

5. Turn the chain tensioning wheel to preliminarily tighten the chain bar enough that it stays in place. While holding the bar still, place the cover back onto the saw. Make sure the tab properly lines up with the slot on the body of the saw. Lock the cover in place with the cover locking knob by turning it clockwise until it engages. Adjust the chain tension.

8.3 EXPLODED VIEW



POS	DESCRIPTION	NB
1	Guide Bar	1
2	Chain Saw	1
3	Knife cover	1
4	Wrenches	1
5	Hex Flange Nut	1
6	End cap assembly	1
6-1	Shaft Sleeve	1
6-2	Cover	1
6-3	End Cover Seal Ring	1

7	Open Ring	1
8	Chain Wheel	1
9	Shaft Sleeve	1
10	Case assembly	1
10-1	cabinet	1
10-2	Thermal Insulation Gasket	1
10-3	Self-Tapping Screw	4
10-4	Seal ring	1
10-5	Tightening Nut	1

POS	DESCRIPTION	NB
10-6	Slack Adjuster	1
10-7	Metal bump spikes	1
11	Fuel tank assembly	1
11-1	Tank	1
11-2	Valve	1
11-3	Conical Compression Spring	1
11-4	Oil Box Seal Ring	1
11-5	Transparent Oil Tube	
12	Rubber Blanket	1
13	Fuel tank cap assembly	1
13-1	Oil Box Cap	1
13-2	Seal ring	1
13-3	Hanger	1
14	Compression Spring	1
15	Guard Locating Block	1
16	Connecting Rod	1
17	Connecting Rod	1
18	Brake Pads	1
19	Brake tension spring	1
20	Flange Shaft Sleeve	1
21	Intermediate Connecting Rod	1
22	Trigger	1
23	Switch Torsional Spring	1
24	Push The Button On The Spring	1
25	Lock Off Button	1
26	Double Micro Switch	1
27	Female terminal	2
28	Cable press plate	1
29	Self-Tapping Screw	2
30	Cable jacket	1

31	Power cable	1
32	Output Shaft Assembly	1
32-1	Bearing	1
32-2	Output shaft	1
32-3	Torsional Spring	1
32-4	Wheel Gear	1
32-5	Bearing	1
32-6	Open Ring	1
33	Motor assembly	1
33-1	Hex Flange Nut	1
33-2	Wheel Gear	1
33-3	Facing Bar	1
33-4	Oil pump assembly	1
33-5	Bearing	1
33-6	Wind Scooper	1
33-7	Rotor Assembly	1
33-8	Stator Assembly	1
33-9	Bearing	1
33-10	Holder	1
33-11	Brush Holder	2
33-12	Carbon Brush	2
33-13	Twisted Spring	2
33-14	Pan Head Screw	2
33-15	Compound groove pan head tapping screw	3
34	Self-Tapping Screw	4
35	Transparent Oil Tube	
36	Capacitance Component	1
37	Electronic component	1
38	Heat shrinkable tube	
39	Cabinet	1
40	Self-Tapping Screw	14
41	Preventer Plate	1
42	Cover	1

8.4 TROUBLESHOOTING



DANGER ! Risk of injury due to electric shock.

Warning ! Before any trouble shooting, switch off the product.

Problems	Probable causes	Solutions	Qualification required
No engine stop	The OFF switch is defective	Test it and change it by a new one	After sales service
	The brake system is defective	Test it and change it by a new one	
	The trigger system is defective	Test it and change it by a new one	
No engine start	The power cable is defective	Check the integration of the power cable	-
	The power cable is defective	Change the power cable	After sales service
	The trigger is defective	Change the trigger	After sales service
	The motor protection has blocked the machine because of overload	Wait a few minutes for the engine to cool down	-
	Power supply is defective	Check your electrical network	
Vibration	The chain is dull / damaged	Sharpen it or change it by a new one	-
	Nuts / screws are not well tight	Screw the nut(s) / screw(s)	

Problems	Probable causes	Solutions	Qualification required
Excessive noise	Nuts / screws are not well tight	Screw the nut(s) / screw(s)	-
	The blade is not enough set	Screw the nut(s) / screw(s)	
Over-consumption	There is a leak of oil due to a defective assembling (drilled pip/bad connection)	Find the leak location and replace the part by a new one	After sales service
Oil leak	The lubricant oil continues to flow by capillarity	"Check with the after sales service if the oil pump is not damaged. Otherwise it's normal, let the chainsaw cool while protecting the ground (cardboard, towel ...)"	-
Chain breakage	The chain is too tight	Unscrew the chain tightening screw	-
	The chain is not lubricated enough	Check if the oil tank is not empty and fill it	
	The chain is not lubricated enough	The oil pump is defective, change it	After sales service
	The chain is not lubricated enough	Check the setting of the oil consumption and adjust it	-
	The chain is wasted	Remove it and change it by a new one	
Chain guide breakage	The blade cover is not well put	Remove the cover and pay attention to put on the good position and tight it enough	-
Chain does not stop on released trigger	The trigger is blocked on ON position	Remove the trigger cover and replace it by a new one	After sales service
	The guide has been stuck on a branch	Pay attention to initiate the cup by 3-4 cm blow the branch and then cut it from above	

Problems	Probable causes	Solutions	Qualification required
Wood splatter projection	The chain is blunt	Sharpen it or change it by a new one	-
	The chain is wasted	Remove it and change it by a new one	
Chain untight during use	The chain is wasted	Remove it and change it by a new one	-
	The tightening system is wasted	Remove it and change it by a new one	After sales service
	The chain/guide is not well placed	Remove it and adjust it	-
The engine lacks of power	The carbon brushes are about to be consume	Change carbon brushes/ spring/support	After sales service
	The carbon brushes spring is not enough strong	Change carbon brushes/ spring/support	
Cutting performance is insufficient	The chain is not tense enough	Tense it correctly	-
	The chain is dull / damaged	Sharpen it or change it by a new one	
	Lubricant oil tank is empty	Fill it or adjust the oil consumption when it's possible	
Loss of the chain	The blade is not the good one in terms of dimension	The customer needs to check the instruction manual to identify the good chain / guide	-
	The chain is not tight enough	Tight it thanks to the chain tightening screw	
	The blade cover is not well put	Remove the cover and pay attention to put on the good position and tight it enough	
Motor runs but the cutting device doesn't run	The cutting devise can be to screwed	Check if you can remove it easily, try again to start no load and check if it works	-

9. END OF LIFE



Electrical products should not be discarded with household products. Used electrical products must be collected separately and disposed of at collection points provided for this purpose. Talk with your local authorities or dealer for advice on recycling.

10. WARRANTY

10.1 OUR WARRANTY

STERWINS products are designed according to the highest quality standards for products intended for the consumer market. This sale warranty covers a period of 3 years as of the date of purchase of the product. This warranty covers all defects in materials and workmanship: missing parts and elements, and damage occurring under normal use circumstances. Repair and replacement of parts do not lead to an extension of the initial warranty period. You must be able to provide proof of the purchase for this product and the date of purchase. Warranty coverage is limited to the value of this product.

10.2 WARRANTY EXCLUSIONS

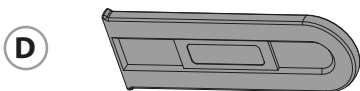
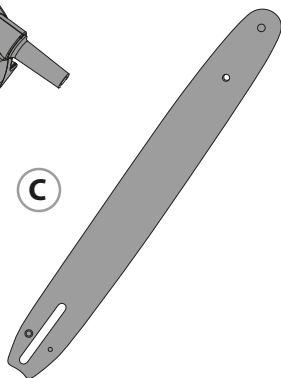
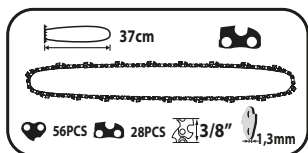
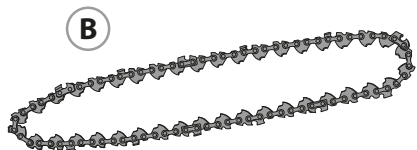
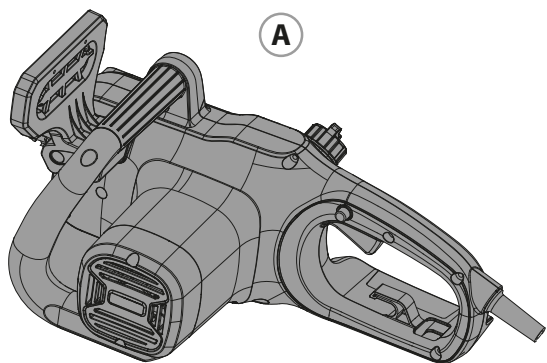
This warranty does not cover problems nor incidents resulting from incorrect use of the product.

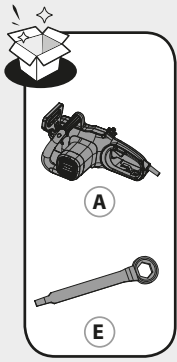
The following items are not covered by warranty :

- The tool have been used incorrectly; or
- Damage occurring upon transporting or setting up this product; or
- Repairs and/or change of parts carried out by a third party; or
- Damage caused by external factors or foreign objects such as sand or stones; or
- Damage resulting from non-compliance with the safety and usage instructions; or
- The tool have been disassembled or opened; or
- The tool have been in a wet environment (dew, rain, submerged in water...); or
- The tool has been used for professional purpose; or
- The tool has been exposed to a temperature out of the range specified in chapter "storage"

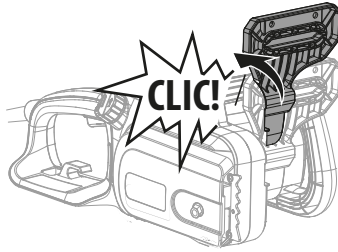
The product must be used under normal usage circumstances, and for non-professional purposes. Therefore, excluded from this warranty are products used by gardening companies, local authorities, as well as companies offering paid rentals or free loaning of equipment.

In the event of a problem or defect, you should first always consult your Sterwins dealer. In most cases, the Sterwins dealer will be able to solve the problem or correct the defect. Keep your invoice or your receipt: these documents will be requested upon processing any claims.

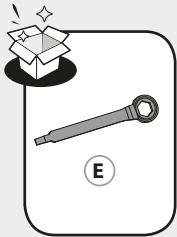
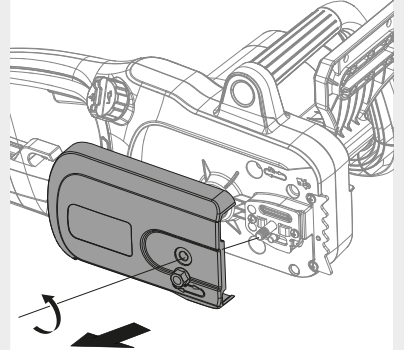




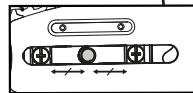
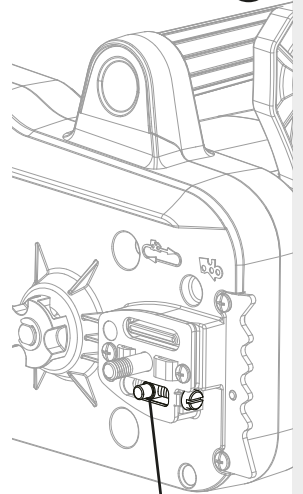
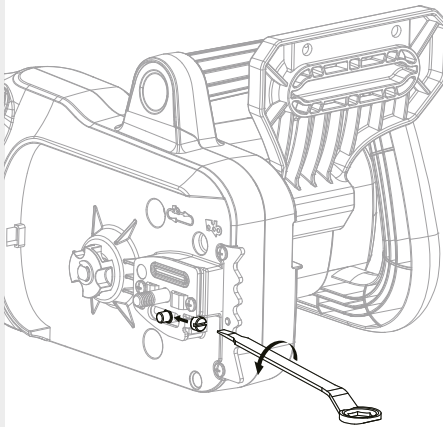
2.1

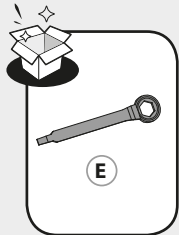
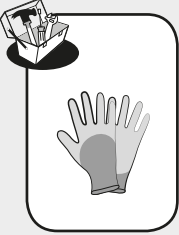
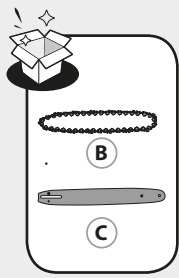


2.2

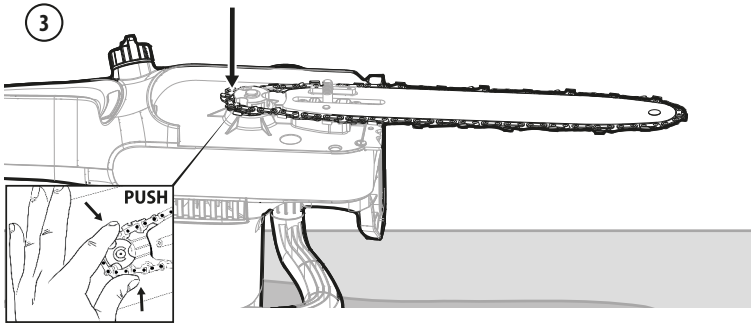
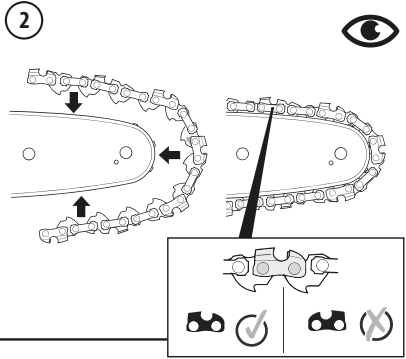
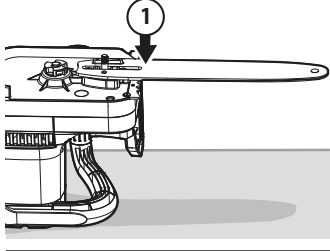
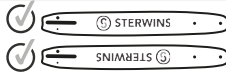


2.3

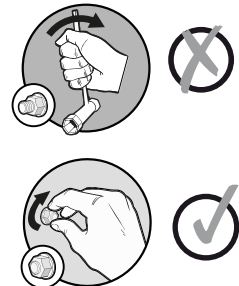
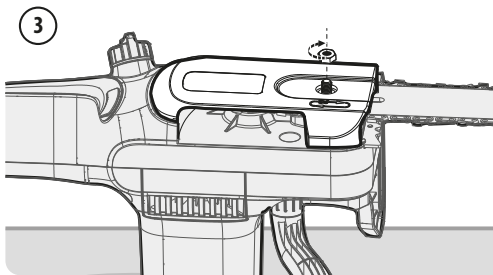
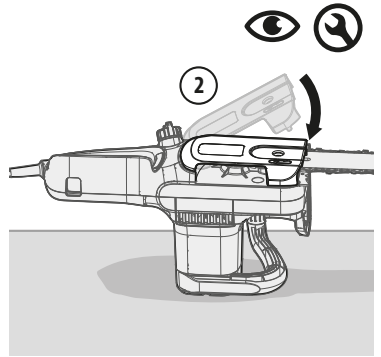
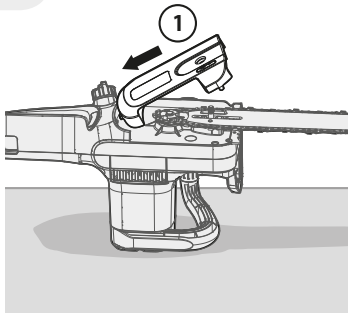


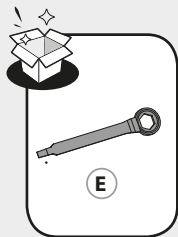


2.4

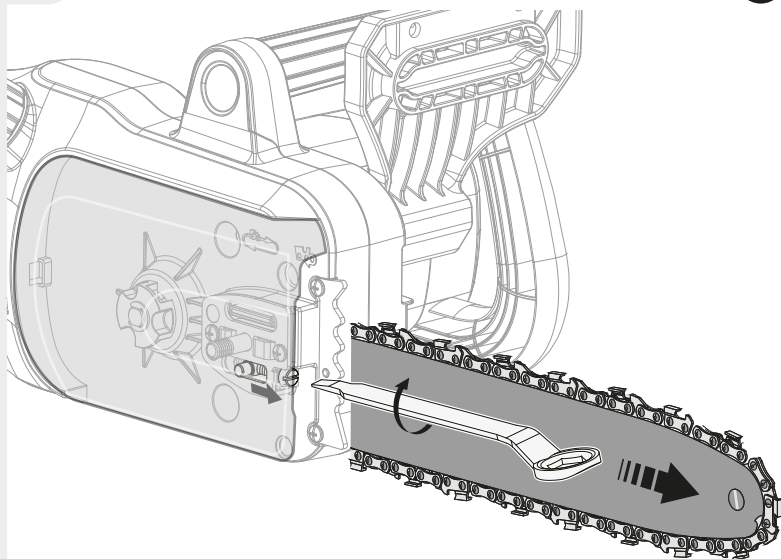


2.5

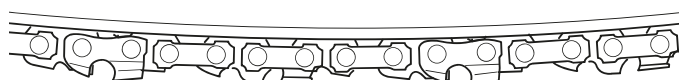
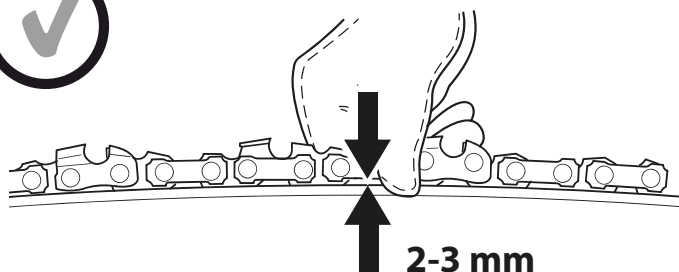


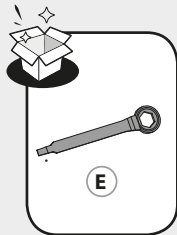


2.6

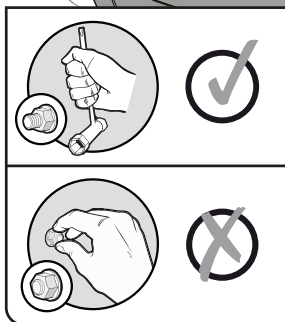
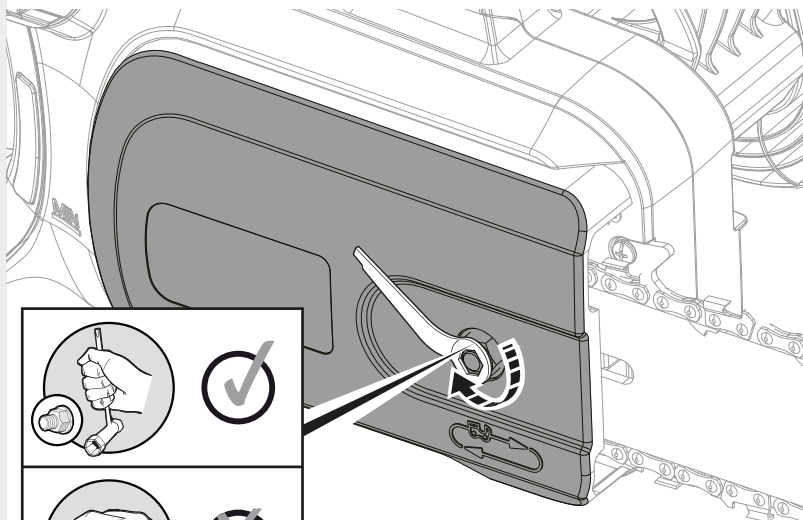


2.7

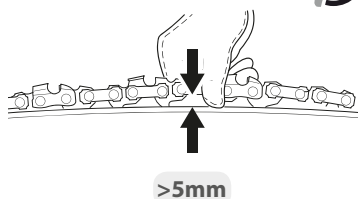
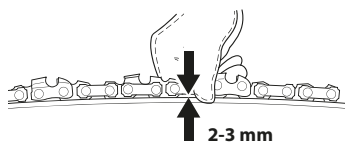




2.8

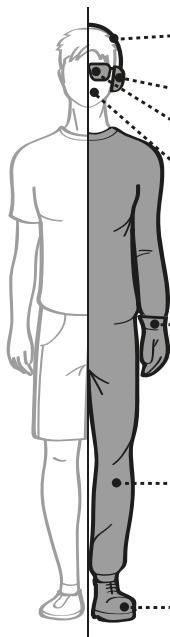


2.9

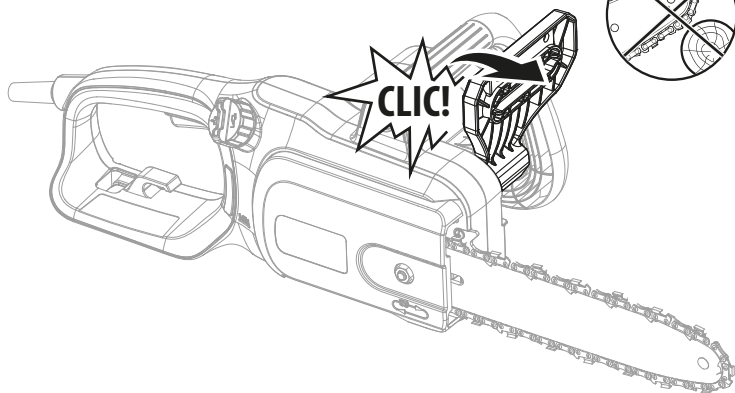




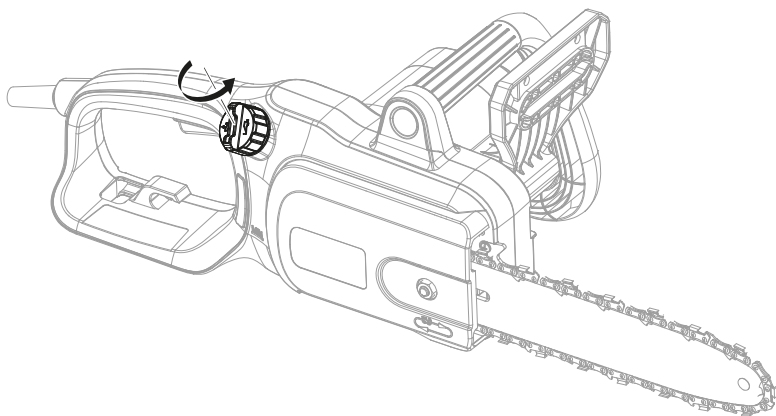
3.1



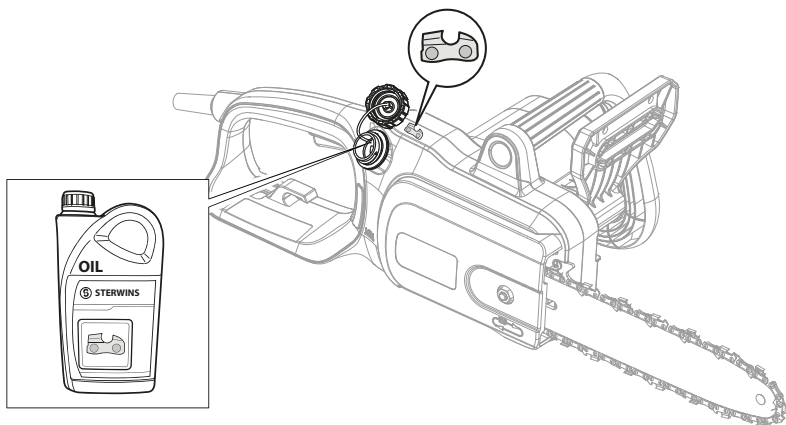
3.2



3.3

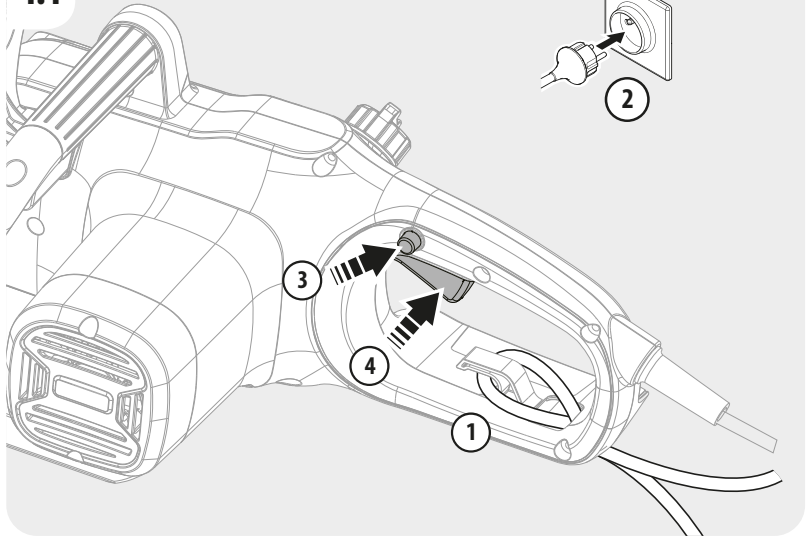


3.4

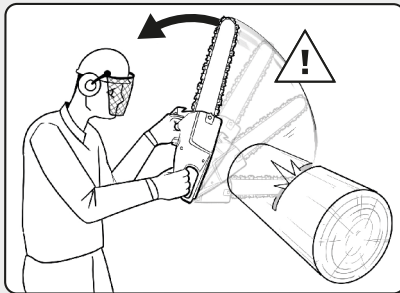
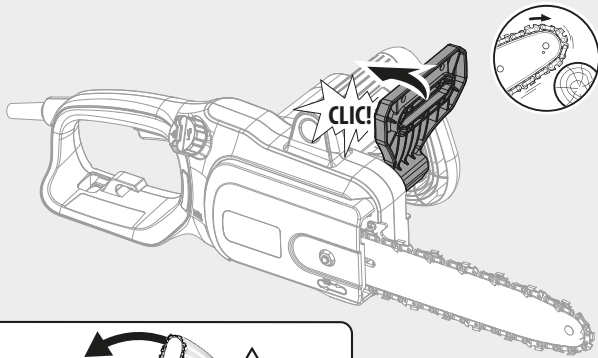




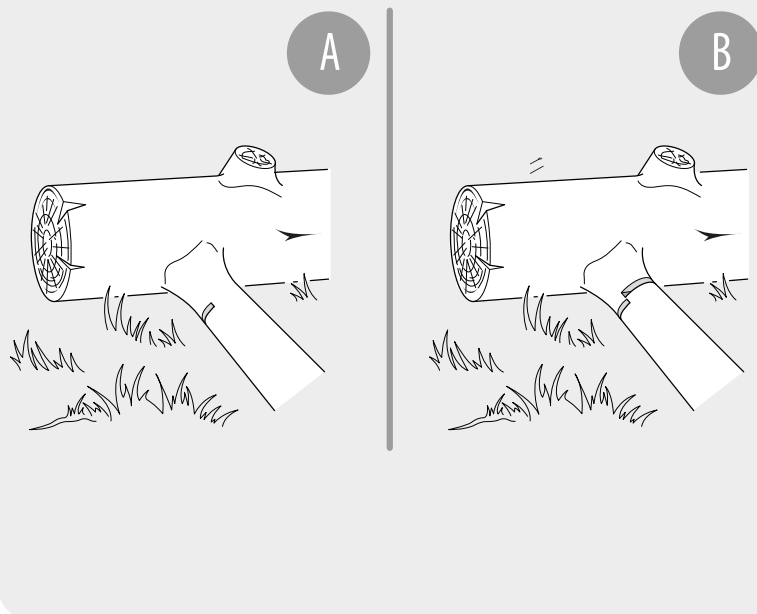
4.1



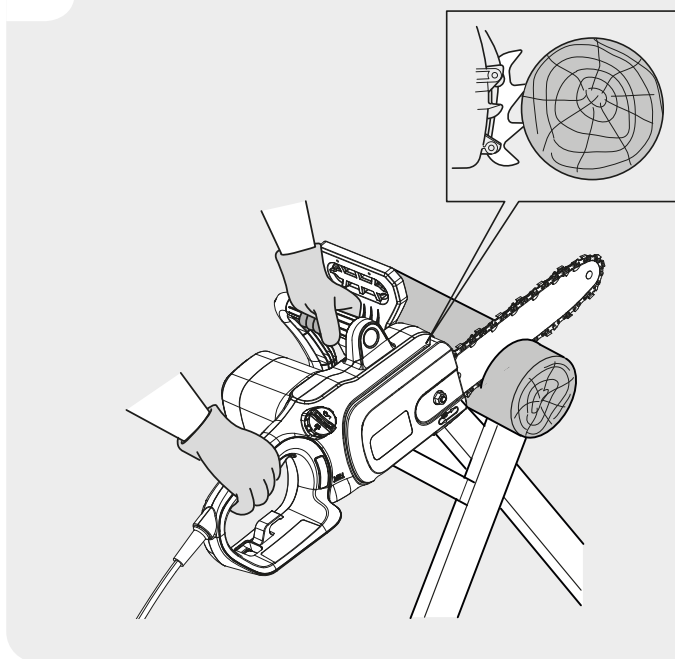
4.2



4.3



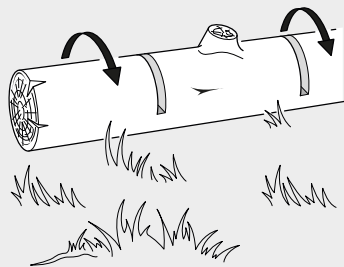
4.4



A



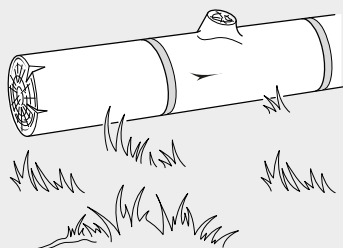
B

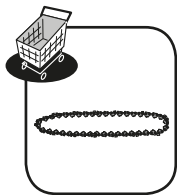


C

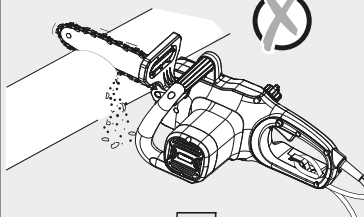
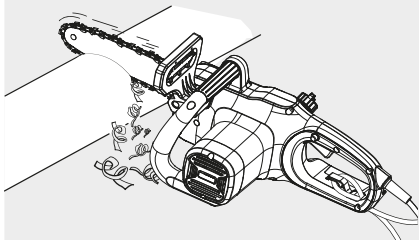


D





5.1



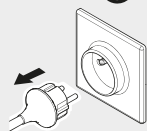
After sales

37cm

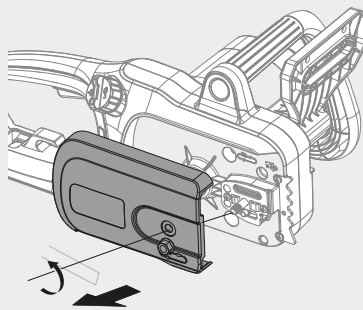
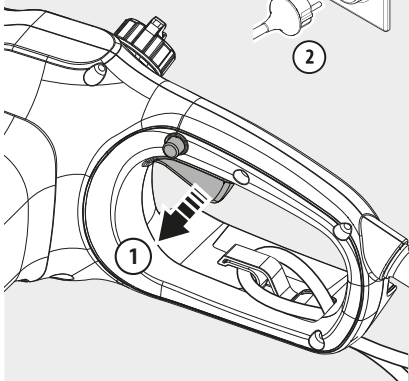


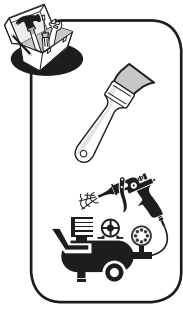
56PCS 28PCS 5 3/8" 1,3mm

5.2

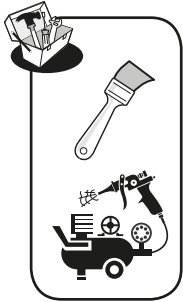
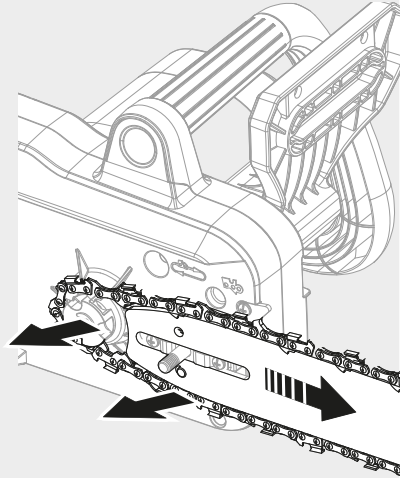
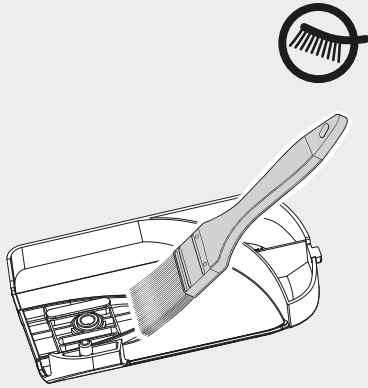


2

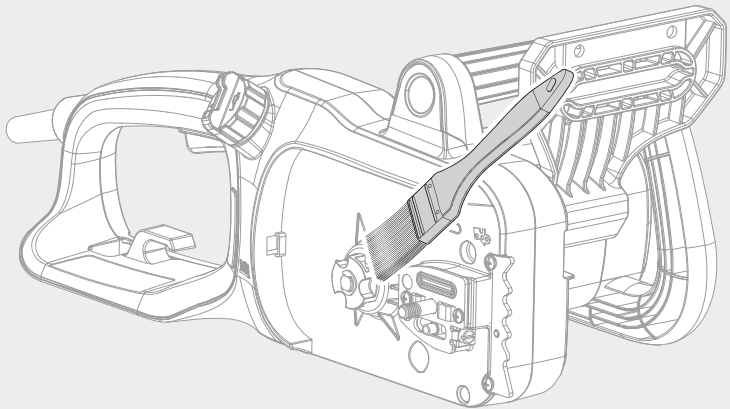




5.3



5.4

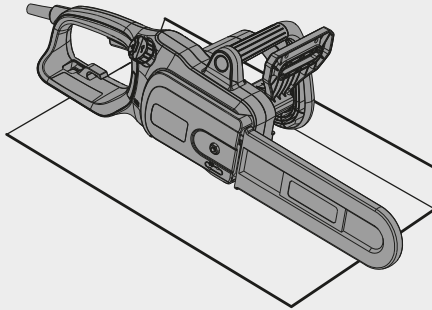




6.1



4°C ~ 24°C



- RU** Ten produkt poddawany jest recyklingowi, kiedy przestaje być użyteczny należy dostarczyć go do punktu zbiórki odpadów.
Этот продукт может перерабатываться. Если он больше не пригоден для пользования, сдайте его в утилизационный центр.
- KZ** Бұл өнім қайта өңдеуге келеді. Оны әрі қолдануға болмайтын жағдайда, оны қайта өңдейтін орталыққа тапсыруыңызды өтінеміз
- EN** This product is recyclable. If it cannot be used anymore, please take it to waste recycling centre.

Made in China
Сделано в Китае
Қытайда жасалған

SERIAL NUMBER

** Гарантия 3 года / Кепілдік 3 жыл / 3-year guarantee



ADEO:business name (Adeo Services)
Address (135, rue Sadi Carnot- CS 00001 59790- RON-
CHIN- France)

Импортер\Продавец\Лицо уполномоченное
принимать претензии по качеству товара:
на территории Российской Федерации,ООО
«ЛЕРУА МЕРЛЕН ВОСТОК», 141031, МО, г. Мытищи,
Осташковское шоссе, д.1, РФ

Импорртаушы / Тауардың сапасы бойынша
наразылықтарды қабылдауға өкілетті тұлға:
«Леруа Мерлен Қазақстан» ЖШС Қазақстан
Республикасы,050000, Алматы қ., Қонаев көшесі, 77,
«ParkView» БО, бқ., 07-кеңсе

Импортер\Продавец\Лицо уполномоченное
принимать претензии по качеству товара :
ООО «Леруа Мерлен Бел», 220020, Республика
Беларусь, город Минск, проспект Победителей,
100, офис 503

