

# Installation and Care Guide

120 V Whirlpool Bath  
Custom Pump Location

Save These Instructions  
Conserver ces instructions  
Guarde estas instrucciones

Retain serial number for reference.

Numéro de série du produit:

Número de serie del producto: \_\_\_\_\_

Français, page "Français-1"

Español, página "Español-1"

THE BOLD LOOK  
OF **KOHLER**®

1193347-2-B

# Installation Instructions



**WARNING:** When using electrical products, basic precautions should always be followed, including the following:



**DANGER: Risk of electric shock.** Connect only to a circuit protected by a Ground-Fault Circuit-Interrupter (GFCI)\*.

Building materials and wiring should be routed away from the pump body and other heat-producing components of the unit.

Install to permit access for servicing.

A pressure wire connector marked "Earth/Ground" is provided within the wiring compartment. To reduce the risk of electric shock, connect this connector to the grounding terminal of your electric service or supply panel with copper wire equivalent in size to the circuit conductor supplying this equipment.

Pressure wire connectors are provided on the exterior of the junction box or control within this unit to permit connection of a bonding conductor between this unit and all other exposed metal in the vicinity, as needed to comply with local requirements.

**Grounding is required.** The unit should be installed by a qualified service representative, and grounded.



**WARNING: Risk of injury or property damage.** Please read all instructions thoroughly before beginning installation, including the following requirements.



**WARNING: Risk of electric shock.** A qualified electrician should make all electrical connections.



**WARNING: Risk of electric shock.** Disconnect power before servicing.

**NOTICE: Follow all local plumbing and electrical codes.** In Canada, install this unit in accordance with the Canadian Electrical Code, Part 1.

\*Outside North America, this device may be known as a Residual Current Device (RCD).

## Product Information

### Electrical Requirements

The installation must have a Class A Ground-Fault Circuit-Interrupter (GFCI)\*. The GFCI protects against line-to-ground shock hazard. **Use a 120 V, 15 A, 60 Hz dedicated service for the whirlpool.**

"H" models require a separate 120 V, 15 A, 60 Hz dedicated service for the heater.

If the pump supply cord is damaged, it must be replaced by the manufacturer, its service agent or similarly qualified persons in order to avoid a hazard. The heater supply cord cannot be replaced. If the heater supply cord is damaged the heater must be replaced.

\*Outside North America, this device may be known as a Residual Current Device (RCD).

### Product Notices



**WARNING: Unauthorized modification may cause unsafe operation and poor performance of the whirlpool.** Do not relocate the whirlpool pump, or make other modifications to the whirlpool system, as this could adversely affect the performance and safe operation of the whirlpool. Kohler Co. shall not be liable under its warranty or otherwise for personal injury or damage caused by any such unauthorized modification.

## Product Information (cont.)

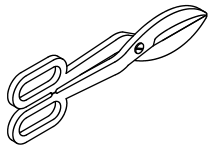
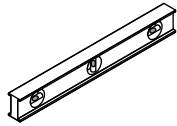
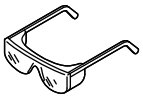
### Features

Factory-installed components include a pump with power supply cord and an air switch transmitter.

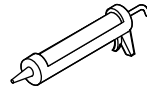
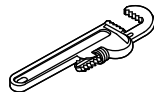
"H" models are also supplied with a factory-assembled heater.

The whirlpool pump and piping are factory-assembled.

### Tools and Materials



Tin Snips



100% Silicone Sealant

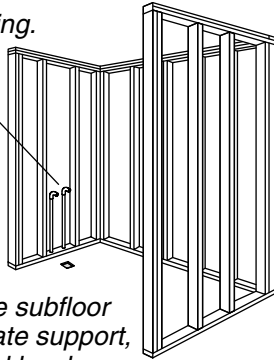
#### Plus:

- Conventional Woodworking Tools and Materials
- Drop Cloth
- Construction Adhesive (Optional)
- Cement\* or Mortar (Optional)
- 2x4s

\* *Do not use gypsum cement.*

### Alcove

Position the rough plumbing.



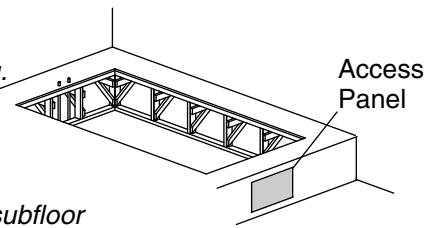
Construct 2x4 stud framing according to the product dimensions.

Verify that the subfloor offers adequate support, and is flat and level.

### Drop-In

Position the rough plumbing.

Construct according to the product dimensions.



Verify that the subfloor offers adequate support, and is flat and level.

## 1. Prepare the Site

**NOTICE:** Measure your actual product for site preparation. Note the **model number** located on the whirlpool pump, then visit the product page at [www.kohler.com](http://www.kohler.com) for additional information.

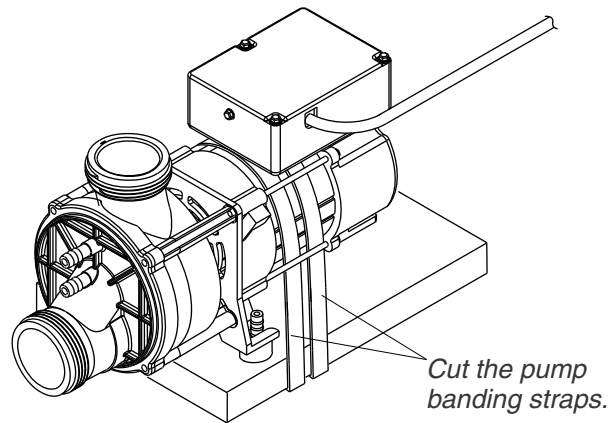
**NOTICE:** Provide generous, unrestricted access to the pump. You must provide access for servicing the pump. The access must be located immediately next to the pump.

**NOTICE:** Do not lift the whirlpool by the piping or pump, or use the piping or pump for structural support of the whirlpool. To avoid damage to the whirlpool, lift at the sides of the whirlpool.

**NOTICE:** Do not support the load weight of the whirlpool by the rim.

**NOTE:** Drop-in, alcove, or corner installation is possible, depending on the product chosen.

- Carefully unpack and inspect the new whirlpool for damage before installation. If there is damage do not install the whirlpool; contact your dealer.
- Make sure the flooring offers adequate support for your whirlpool, and verify that the subfloor is flat and level.
- Construct 2x4 stud framing.
- Install an access panel for future pump servicing. The access panel must be at least 30" (762 mm) wide by 15" (381 mm) high.
- Install the rough plumbing.
- Install the drain to the whirlpool according to the drain manufacturer's instructions.
- Protect the whirlpool surface by positioning a clean drop cloth in the basin bottom.

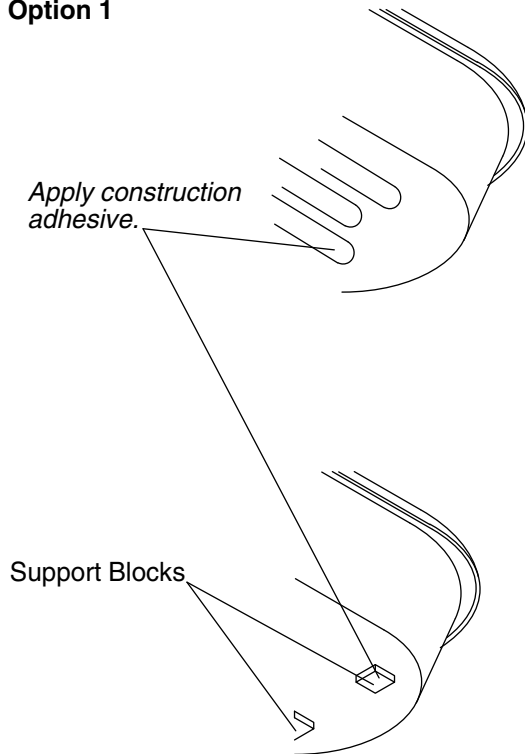


## 2. Disconnect the Pump

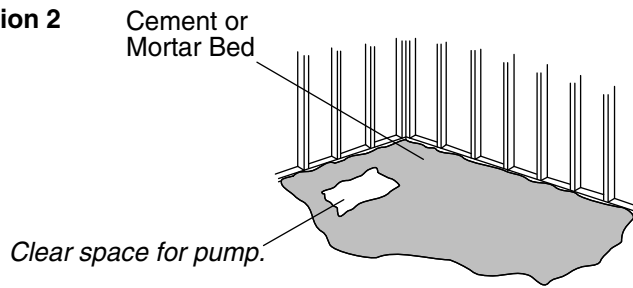
**NOTE:** Do not cut the whirlpool harness (piping) for this custom installation.

- Disconnect the pump and heater (if included) from the shipping location by cutting the two banding straps with a tin snips.
- Move the pump and heater aside.
- Relocate the pump and heater next to the customized inlet/outlet connections of the whirlpool harness. The pump may protrude beyond the rim of the bath.

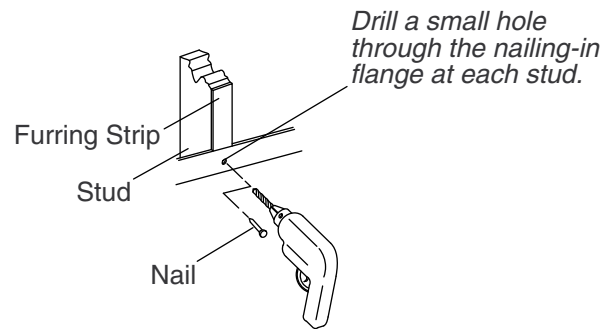
### Option 1



### Option 2



### Three Wall Alcove or Corner Installations



## 3. Install the Whirlpool

**NOTICE:** Do not lift the whirlpool by the piping or pump, or use the piping or pump for structural support of the whirlpool. To avoid damage to the whirlpool, lift at the sides of the whirlpool.

- If the subfloor is not level, shim the whirlpool support blocks or molded supports as necessary.

### Option 1: Install Using Construction Adhesive

**NOTE:** Some models come with support blocks; some models have molded supports.

- Apply a generous amount of high-quality construction adhesive to the bottom of the support blocks or molded supports. With help, carefully lift the whirlpool into position.

### Option 2: Install Using a Cement or Mortar Bed

**NOTE:** Do not use gypsum cement or drywall compound for this application, as they will not provide an acceptable, durable bond.

- Set the basin area in 1" (25 mm) to 2" (51 mm) of mortar cement.

**NOTE:** The pump support (when the pump banding straps are cut) must rest directly on the subfloor. The pump control should not be in contact with mortar.

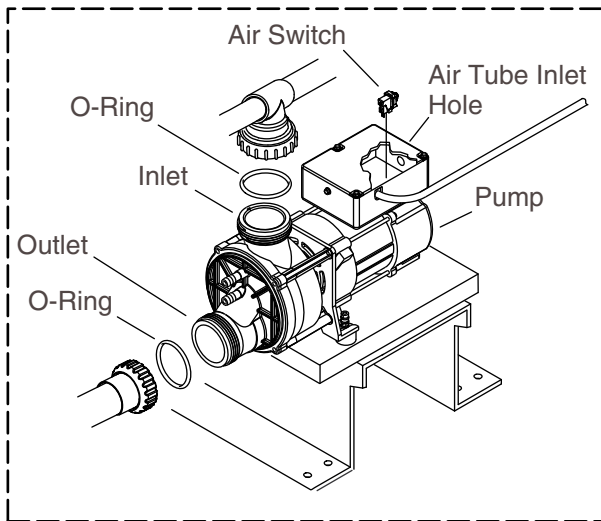
### Secure the Nailing-in Flanges (Alcove Units)

- Drill a small pilot hole through the nailing-in flange at each stud. Add shims as needed.
- Use large-head galvanized nails to secure the nailing-in flange to the studs.
- Nail 1/4" (6 mm) thick furring strips to the studs.

### Install the Plumbing

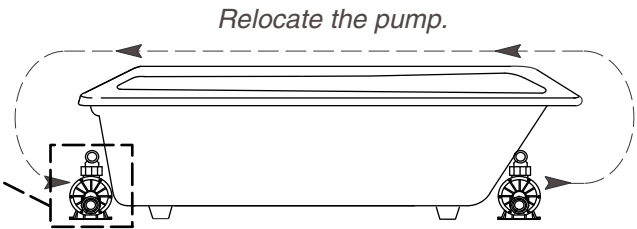
### **Install the Whirlpool (cont.)**

- Insert the drain tailpiece into the trap. Secure the drain tailpiece to the trap.
- Install the faucet valve.
- Check the drain connections for leakage.
- If required, install the grab bars according to the instructions.



*When installing the pump, make sure to remove the plugs from the inlet and outlet piping.*

*Provide access to the installed pump for servicing.*



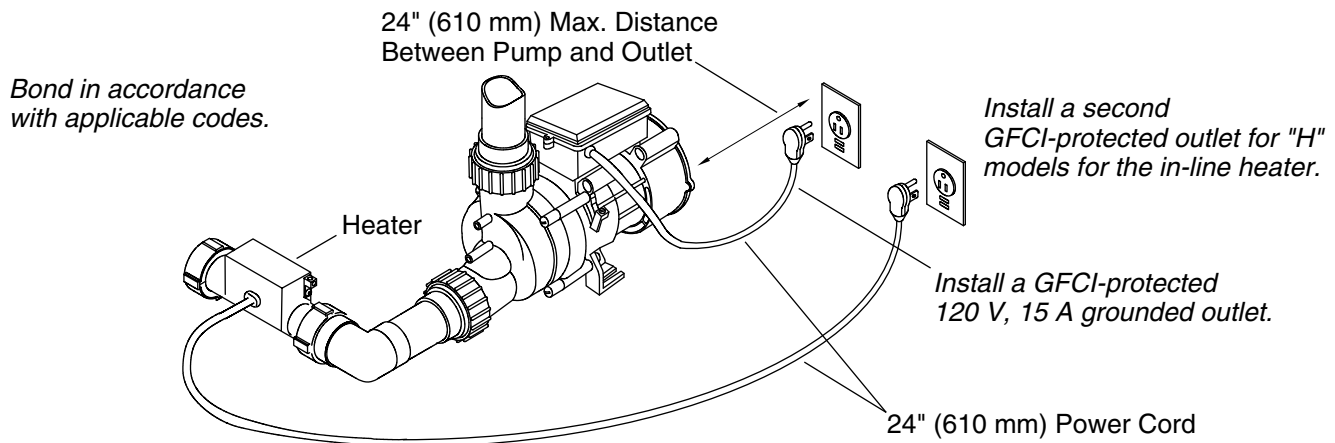
#### 4. Relocate and Connect the Pump

- Remove all protective packaging from around the whirlpool harness.
- Cut only the cable ties supporting the harness attachment nuts.
- Remove the plugs from the pump inlet and outlet connections.
- Install the supplied O-rings/gaskets into the grooves on the inlet and outlet connector.
- Set the pump on the support bracket.

**NOTE:** The pump should rest on the same subfloor, at the same level as the whirlpool feet. Shim the pump if necessary on the subfloor, but make sure the rubber isolation feet are in contact with the floor. The pump should only be high enough to allow water to drain out of the suction line when the whirlpool is emptied.

- Thread the plastic inlet and outlet nuts onto the pump and heater until the O-rings and gaskets make initial contact.
- Securely handtighten each nut, then tighten each nut an additional quarter turn.
- Make sure the whirlpool inlet piping is pitched down and away from the pump.
- Secure the pump support bracket with four screws or lag bolts (not provided).
- Connect the air tubing to the air switch on the pump.





## 5. Make the Electrical Connections



**WARNING: Risk of electric shock.** Make sure the power has been disconnected before performing the following procedures.



**WARNING: Risk of electric shock.** Connect the pump and heater (if included) to properly grounded, grounding-type receptacles protected by Ground-Fault Circuit-Interrupters (GFCI's) or Residual Current Devices (RCD's). Do not remove the grounding pins from the plugs. Do not use grounding adapters.

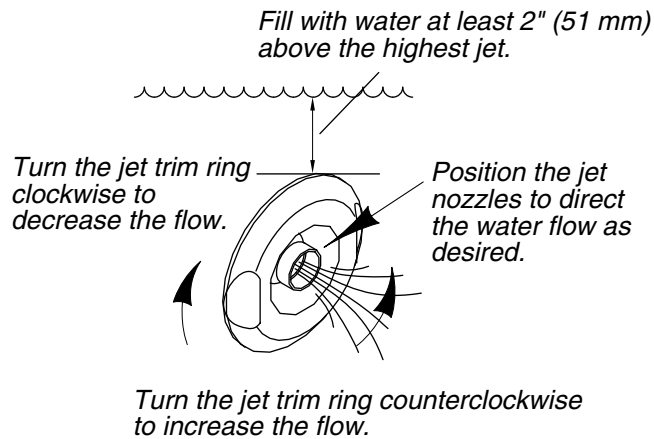
**NOTE:** A label identifying the model number and electrical rating of the whirlpool is located near the whirlpool pump.

**NOTICE:** The pump and heater (if included) are each equipped with a cord and plug. All wiring for the heater has been completed at the factory. A qualified electrician must install a GFCI- or RCD-protected, 120 V, 15 A, grounded outlet for the pump, and another for the heater. No other load should be on these circuits.

- Install a dedicated electrical outlet behind the whirlpool, and within 24" (610 mm) of the pump power cord.
- Plug the pump plug into this outlet.

**NOTE:** Make sure the air actuator tubing is securely attached to the pump, and is not kinked or damaged.

- For units with heaters, install a second outlet behind the whirlpool and within reach of the 24" (610 mm) heater power cord.
- Plug the heater plug into this outlet.



## 6. Complete the Installation

### Test Run the Whirlpool

- Fill the whirlpool to a level at least 2" (51 mm) above the top of the highest jet.
- Operate the whirlpool for 5 minutes and check all whirlpool piping connections for leaks. Check for leakage along the front, sides, and back of the whirlpool.
- For additional information on whirlpool operation, see the "Operating Instructions - Whirlpool" section.

### Finish the Installation

- Install water-resistant wallboard and all finished wall, deck, and floor materials.
- Apply silicone sealant to seal all areas where the whirlpool and finished wall or deck meet.
- Install the faucet trim.

### Clean-up After Installation

- When cleaning up after installation, **do not use abrasive cleansers**, as they may scratch and dull the whirlpool surface. Use warm water and a liquid detergent to clean the surface of the whirlpool.
- Remove stubborn stains or paint with turpentine or paint thinner. **Do not allow cleaners containing petroleum distillates to remain in contact with any whirlpool surface for long periods of time.** Remove plaster by carefully scraping with a wood edge. Do not use metal scrapers, wire brushes, or other metal tools. Use a powder-type detergent on a damp cloth to provide mild abrasive action to any residual plaster.

## Important Safety Instructions

**INSTRUCTIONS PERTAINING TO A RISK OF FIRE,  
ELECTRICAL SHOCK, OR INJURY TO PERSONS**

**READ AND FOLLOW ALL INSTRUCTIONS**

**SAVE THESE INSTRUCTIONS**

**INSTRUCTIONS PERTAINING TO A RISK OF FIRE, ELECTRIC SHOCK, OR INJURY TO PERSONS**

## Important Safety Instructions (cont.)



**WARNING:** When using electrical products, basic precautions should always be followed, including the following:



**DANGER: Risk of accidental injury or drowning.** To reduce the risk of injury, do not permit children to use this unit unless they are closely supervised at all times.



**WARNING: Risk of personal injury.** To avoid injury, exercise care when entering or exiting the whirlpool.



**WARNING: Risk of electric shock.** Do not permit electric appliances (such as a hair dryer, lamp, telephone, radio, or television) within 5' (1.5 m) of this whirlpool.



**WARNING: The use of alcohol, drugs, or medication can greatly increase the risk of fatal hyperthermia.** Prolonged immersion in hot water may induce hyperthermia. Hyperthermia occurs when the internal temperature of the body reaches a level several degrees above the normal body temperature of 98.6°F (37°C). The symptoms of hyperthermia include an increase in the internal temperature of the body, dizziness, lethargy, drowsiness, and fainting. The effects of hyperthermia include: (a) failure to perceive heat, (b) failure to recognize the need to exit the whirlpool, (c) unawareness of impending hazard, (d) fetal damage in pregnant women, (e) physical inability to exit the whirlpool, and (f) unconsciousness resulting in the danger of drowning.



**WARNING: Risk of hyperthermia.** People using medications and/or having an adverse medical history should consult a physician before using a whirlpool equipped with a heater.



**WARNING: Risk of fetal injury.** Pregnant or possibly pregnant women should consult a physician before using the whirlpool.



**WARNING: Risk of hyperthermia or drowning.** Do not use the whirlpool immediately following strenuous exercise.



**WARNING: Risk of hyperthermia or drowning.** Water temperature in excess of 100°F (38°C) may cause injury. Test and adjust the water temperature before use.



**WARNING: Risk of personal injury or drowning.** Do not operate this unit without the guard (cover) over the suction fitting.



**WARNING: Risk of personal injury.** Never drop or insert any object into any opening.

Use this whirlpool only for its intended purpose as described in this guide. Do not use attachments not recommended by Kohler Co.

The whirlpool must be connected only to a supply circuit that is protected by a Ground-Fault Circuit-Interrupter (GFCI)\*. Such a GFCI should be provided by the installer and should be tested on a routine basis. To test the GFCI, press the test button. The GFCI should interrupt power. Press the reset button. Power should be restored. If the GFCI fails to operate in this manner, the GFCI is defective. If the GFCI interrupts power to the whirlpool without the test button being pressed, a ground current is flowing, indicating the possibility of an electric shock. Do not use this whirlpool. Disconnect the whirlpool and have the problem corrected by a qualified service representative before using.

Flush your whirlpool system twice a month or more depending upon usage, as described in the "Flush the System" section of this guide.

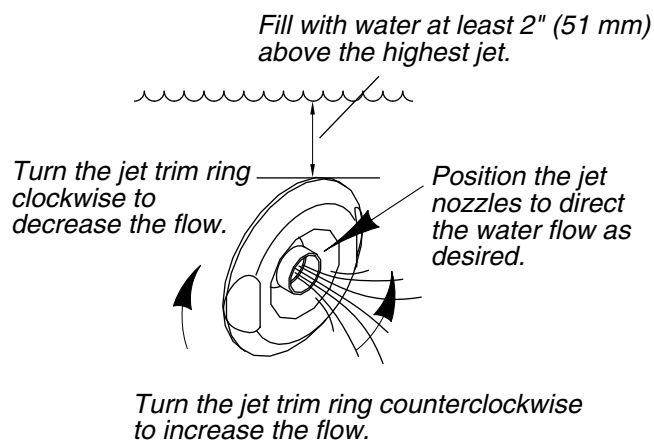
Repeated use of personal care products containing oils can damage plastic whirlpool components. Avoid using bath oils.

Whirlpool hydro-massage action can cause even a small amount of bubble bath, bath soap, shampoo, or bath oil to foam excessively. For this reason, please do not use these products during whirlpool operation.

Your new KOHLER whirlpool has been listed by Underwriter's Laboratories, ensuring safety for you and your family. This whirlpool also conforms to rigid ANSI and IAPMO standards set within the plumbing industry.

**Important Safety Instructions (cont.)**

\*Outside North America, this device may be known as a Residual Current Device (RCD).



## Operating Instructions

**NOTE:** The water temperature in the whirlpool should never exceed 104°F (40°C).

- Close the drain, then fill the whirlpool at least 2" (51 mm) above the top of the highest jet.
- Use your hand to test the water temperature for comfort and safety, then carefully enter the whirlpool.
- Press the air switch to turn on the pump.

**NOTE:** If equipped, the heater will automatically turn on.

- Adjust the jets for optimum air/water mixture. Turn the jet trim rings clockwise to reduce the flow or counterclockwise to increase the flow. Position the jet nozzles to direct the water flow as desired.
- Press the air switch a second time to turn off the pump.
- Carefully exit the whirlpool, then open the drain and empty the water.

**NOTE:** If the whirlpool does not function properly, refer to the "Troubleshooting Procedures" section.

## Care and Cleaning

For best results, keep the following in mind when caring for your KOHLER product:

- Always test your cleaning solution on an inconspicuous area before applying to the entire surface.
- Wipe surfaces clean and rinse completely with water immediately after applying cleaner. Rinse and dry any overspray that lands on nearby surfaces.
- Do not allow cleaners to soak on surfaces.
- Use a soft, dampened sponge or cloth. Never use an abrasive material such as a brush or scouring pad to clean surfaces.

For detailed cleaning information and products to consider, visit [www.kohler.com/clean](http://www.kohler.com/clean). To order Care & Cleaning information, call 1-800-456-4537.

## Flush the System

**NOTE:** Flush your whirlpool system twice a month or more, depending upon usage.

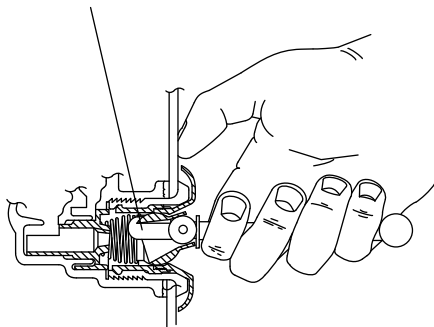
- Turn the jet trim rings fully clockwise to reduce air induction.
- Fill the whirlpool with hot water to a level at least 2" (51 mm) above the highest jet.
- Add 2 teaspoons (10 ml) of a low-foaming, powder automatic dishwasher detergent and 20 ounces (590 ml) of household bleach (5% - 6% sodium hypochlorite) to the water.

**Flush the System (cont.)**

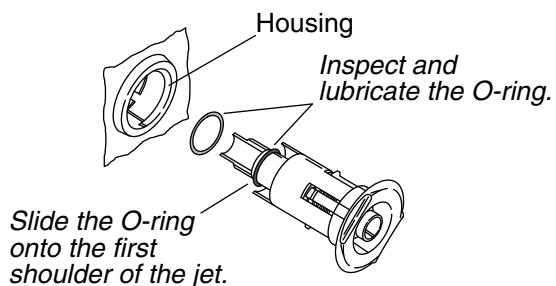
- Run the whirlpool for 5 to 10 minutes. Turn off the whirlpool and drain.
- If desired, rinse the bath surfaces with water.
- Rinse the surfaces of the jets, faucet, grab bars, and drain, and wipe them dry with a soft cloth.

### Remove the Jets

*Insert the tool hook as shown and pull the jet out of the housing. The jet should be facing up when this is done.*



### Reinstall the Jets



*Insert the jet into the housing, and lightly push and rotate until it snaps in position.*

## Troubleshooting Procedures

**NOTICE:** This section is for general aid only. A Kohler Co. Authorized Service Representative or qualified electrician should correct any electrical problems. For warranty service, call 1-800-4KOHLER from within the USA and Canada, or 001-800-456-4537 from within Mexico.

For service parts information, visit your product page at [www.kohler.com](http://www.kohler.com).

### Remove the Jets

**NOTE:** A special tool is provided with the replacement jets that will allow you to remove the jets from the whirlpool. This tool is also supplied with each trim kit.

- Position the jet ball nozzle so it is pointing upward.
- Insert the removal tool, hooked end up, into the opening of the jet and hook the inside top of the nozzle.
- Grasp the tool firmly and place your thumb against the whirlpool wall. Pull steadily on the tool until the jet assembly pulls free of the hole. Be careful not to lose the O-ring.

### Reinstall the Jets

**NOTE:** To allow easy rotation and proper operation of the jet, the O-ring must be: (1) correctly positioned, (2) lubricated, and (3) in good condition.

- Install the O-ring onto the **first shoulder** of the jet.
- Using the silicone lube packet (provided), lubricate the O-ring to prevent noisy operation of the jet.
- Carefully insert the jet into the housing, then lightly push and rotate the jet until it snaps into position. **Do not force the jet.**
- Verify the jet is installed correctly. The jet should turn smoothly both clockwise and counterclockwise. Remove and reinstall, if necessary.

## Troubleshooting Procedures (cont.)

Symptoms	Probable Causes	Recommended Action
1. Whirlpool does not start or stop.	<p>A. No power to motor.</p> <p>B. Air hose is loose or disconnected.</p> <p>C. Air hose is pinched or kinked.</p> <p>D. Push button assembly is damaged.</p> <p>E. Push button has grease in the bleed area.</p> <p>F. Air hose is damaged.</p> <p>G. Motor/pump does not work.</p>	<p>A. Check that the pump and heater are plugged in and that the GFCI or RCD is switched to the correct position. Plug in or reset the GFCI/RCD as needed.</p> <p>B. Check that the hose is connected at both the receiver/pump end and to the air switch. Reconnect if needed.</p> <p>C. Adjust hose to clear the pinched/kinked area. If the tubing is pinched/kinked and cannot be readjusted, or no noticeable pinch/kink is apparent, poke a small hole in the tubing with a tack and try the system again.</p> <p>D. Replace the push button assembly.</p> <p>E. Disassemble the push button assembly and wipe away any excess grease. Reassemble the button and retry the system.</p> <p>F. Replace the air hose.</p> <p>G. Replace the motor/pump.</p>
2. Motor starts, not all jets are functioning.	<p>A. Jet is closed.</p> <p>B. Jet not installed correctly.</p> <p>C. Jets are blocked.</p>	<p>A. Rotate jet trim ring counterclockwise to open.</p> <p>B. Reinstall jet; check for O-ring damage.</p> <p>C. Remove blockage.</p>
3. Pump does not prime.	<p>A. Pump shimmed too high.</p>	<p>A. Lower pump support bracket.</p>
4. Noisy operation.	<p>A. Pump banding straps have not been cut. (Models with support blocks only.)</p> <p>B. Jet O-ring dislodged.</p>	<p>A. Cut pump banding straps with tin snips.</p> <p>B. Remove jet, replace and lubricate O-ring, and reinstall jet.</p>
5. Heater does not operate. ("H" models only)	<p>A. No power to heater.</p> <p>B. Water temperature exceeds 104°F (40°C).</p> <p>C. Heater does not work.</p>	<p>A. Reset the GFCI or RCD.</p> <p>B. Allow water to cool and heater will re-engage.</p> <p>C. Replace heater.</p>

## Warranty

### ONE-YEAR LIMITED WARRANTY

KOHLER plumbing products are warranted to be free of defects in material and workmanship for one year from date of installation.

Kohler Co. will, at its election, repair, replace or make appropriate adjustment where Kohler Co. inspection discloses any such defects occurring in normal usage within one (1) year after installation. Kohler Co. is not responsible for removal or installation costs. **Use of in-tank toilet cleaners will void the warranty.**

To obtain warranty service contact Kohler Co. either through your Dealer, Plumbing Contractor, Home Center or E-tailer, or by writing Kohler Co., Attn.: Customer Care Center, 444 Highland Drive, Kohler, WI 53044, USA, or by calling 1-800-4-KOHLER (1-800-456-4537) from within the USA and Canada, and



## Warranty (cont.)

001-800-456-4537 from within Mexico, or visit [www.kohler.com](http://www.kohler.com) within the USA, [www.ca.kohler.com](http://www.ca.kohler.com) from within Canada, or [www.mx.kohler.com](http://www.mx.kohler.com) in Mexico.

**IMPLIED WARRANTIES INCLUDING THAT OF MERCHANTABILITY AND FITNESS FOR A PARTICULAR PURPOSE ARE EXPRESSLY LIMITED IN DURATION TO THE DURATION OF THIS WARRANTY. KOHLER CO. AND/OR SELLER DISCLAIM ANY LIABILITY FOR SPECIAL, INCIDENTAL OR CONSEQUENTIAL DAMAGES.** Some states/provinces do not allow limitations on how long an implied warranty lasts, or the exclusion or limitation of special, incidental or consequential damages, so these limitations and exclusions may not apply to you. This warranty gives you specific legal rights. You may also have other rights which vary from state/province to state/province.

**This is Kohler Co.'s exclusive written warranty.**

## Warranty

### For Mexico

KOHLER CO.

It is recommended that at the time of purchase, you verify that all accessories and components are complete in this package.

This Kohler product is warranted to be free of defects in material and workmanship for one (1) year from the date of purchase as shown on the invoice or receipt.

1. Kohler Co. will only service its commercialized products through its authorized distributors.
2. To obtain warranty service, please present the invoice and corresponding warranty.
3. Through its authorized distributors, Kohler Co. promises to repair the defective product or provide a new replacement or an equivalent model (in those cases that the model has been discontinued) when the product is beyond repair, without any charge to the consumer.
4. The time of repair will not exceed six (6) weeks commencing on the date the product is received.
5. It is recommended that the consumer save the invoice or receipt as additional protection, as it may substitute the warranty in the case that there is a discrepancy in the validity of the warranty.

### EXCEPTIONS AND RESTRICTIONS

The Warranty will not be valid in the following cases:

1. When the product is not operated in accordance with the instructions concerning use and operation set forth in the owner's manual or installation instructions, and when the recommendations and warnings included are not observed.
2. When the product has been modified or dismantled partially or totally; or has been used in a negligent fashion and as a consequence has suffered damages attributable to the consumer, individual, or hardware not authorized by Kohler Co.
3. This warranty does not cover the damages as a result of disaster such as fire or acts of God, including flooding, earthquake, or electric storms, etc. To obtain a list of distributors in your area where you can exercise your rights under this warranty, please call 001-800-456-4537.

KOHLER CO., KOHLER, WI 53044 U.S.A.

### IMPORTER:

COMERCIALIZADORA INTERCERAMIC, S.A. DE C.V.

AV. CARLOS PACHECO NO. 7200, COL. MADERA 65

CHIHUAHUA, CHIH., MEXICO C.P. 31060

R.F.C. CIN141022IE9

TEL: 52 (614) 429-11-11

**Warranty (cont.)**

**IMPORTER:**

GAMA MATERIALES Y ACEROS, S.A. DE C.V.

AVE LOS ANGELES NO. 1800

COL VALLE DEL NOGALAR, SAN NICOLAS DE LOS GARZA

N.L. MEXICO

R.F.C. GMA901220U11

TEL: 81-1160-5500

# Guide d'installation et d'entretien

## Baignoire à hydromassage de 120 V

### Emplacement personnalisé de la pompe

## Instructions d'installation



**AVERTISSEMENT:** Lors de l'utilisation de produits électriques, toujours observer les précautions de base, notamment:



**DANGER: Risque de choc électrique.** Raccorder uniquement à un circuit protégé par un disjoncteur de fuite de terre (GFCI)\*.

Les matériaux de construction et le câblage doivent être acheminés loin du corps de la pompe et des autres composants de l'appareil qui dégagent de la chaleur.

Installer de façon à permettre l'accès pour l'entretien.

Un connecteur à pression pour câbles marqué "Earth/Ground" (Terre/Masse) est fourni dans le compartiment de câblage. Afin de réduire les risques de choc électrique, raccorder ce connecteur à une borne de terre du panneau de service électrique ou du panneau d'alimentation avec un câble en cuivre ayant la même dimension que le conducteur du circuit qui alimente cet équipement.

Des connecteurs à pression par câble sont fournis sur l'extérieur de la boîte de jonction ou de la commande incluse dans cet appareil afin de permettre la connexion d'un conducteur de mise à la terre entre cet appareil et toutes les autres surfaces de métal avoisinantes, tel que requis par les normes locales.

**Une mise à la terre est requise.** L'appareil doit être installé par un représentant qualifié et doit être mis à la terre.



**AVERTISSEMENT: Risque de blessures ou d'endommagement du matériel.** Toutes les instructions doivent être lues avec la plus grande attention avant de commencer l'installation, et toutes les conditions suivantes doivent être respectées.



**AVERTISSEMENT: Risque de choc électrique.** Un électricien qualifié doit effectuer toutes les connexions électriques.



**AVERTISSEMENT: Risque de choc électrique.** Déconnecter l'alimentation électrique avant d'effectuer un entretien.

**AVIS: Respecter tous les codes de plomberie et électriques locaux.** Installer cet appareil conformément au Code canadien de l'électricité, Partie 1.

\* Hors de l'Amérique du Nord, ce dispositif peut être connu sous le nom de dispositif à courant résiduel (RCD).

## Information sur le produit

### Installations électriques requises

Cette installation doit être munie d'un disjoncteur de fuite de terre (GFCI) de classe A\*. Le disjoncteur GFCI protège contre les risques d'électrocution fil sous tension-terre. **Utiliser une alimentation de 120 V, 15 A, 60 Hz dédiée à la baignoire à hydromassage.**

Les modèles "H" exigent une alimentation séparée de 120 V, 15 A, 60 Hz dédiée au chauffe-eau.

Si le câble d'alimentation de la pompe est endommagé, il doit être remplacé par le fabricant, son représentant ou des professionnels qualifiés dans ce domaine afin d'éviter tout danger. Le cordon d'alimentation du chauffe-eau ne peut pas être remplacé. Le chauffe-eau doit être remplacé si le cordon d'alimentation du chauffe-eau est endommagé.

## Information sur le produit (cont.)

\* Hors de l'Amérique du Nord, ce dispositif peut être connu sous le nom de dispositif à courant résiduel (RCD).

## Notices du produit



**AVERTISSEMENT: Des modifications non approuvées pourraient provoquer un fonctionnement dangereux et une mauvaise performance de la baignoire à hydromassage.** Ne pas déplacer la pompe de la baignoire à hydromassage et ne pas effectuer d'autres modifications sur le système d'hydromassage car cela pourrait affecter la performance et la sécurité de la baignoire à hydromassage. Kohler Co. décline toute responsabilité sous sa garantie et pour toutes blessures ou tous dommages causés par de telles modifications non autorisées.

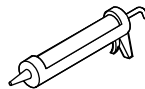
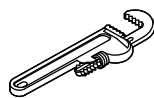
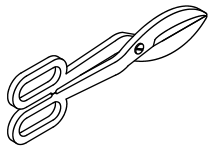
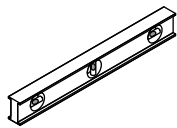
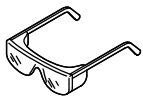
## Caractéristiques

Les composants installés en usine comprennent une pompe avec câble d'alimentation électrique et un émetteur de commutateur de débit d'air.

Les modèles "H" sont également fournis avec un chauffe-eau assemblé en usine.

La pompe et la tuyauterie de la baignoire à hydromassage ont été assemblées en usine.

## Outils et matériel



Plus:

- Matériaux et outils à bois classiques
- Toile de protection
- Colle mastic (optionnelle)
- Ciment\* ou mortier (optionnel)
- Des 2x4

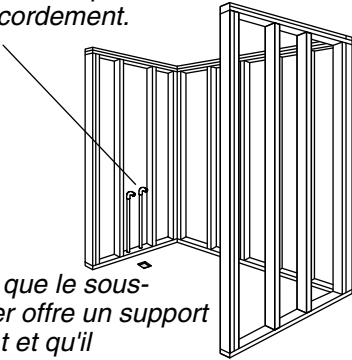
\* Ne pas utiliser de plâtre dur.

Cisailles de ferblantier

Mastic à la silicone à 100%

## Alcôve

Positionner la plomberie de raccordement.



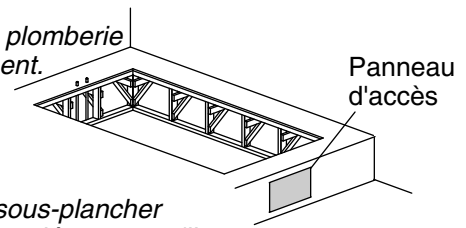
Vérifier que le sous-plancher offre un support adéquat et qu'il est plat et nivelé.

Construire une charpente à montants de 2x4 selon les dimensions du produit.

## À encastrer par le dessus

Positionner la plomberie de raccordement.

Effectuer la construction selon les dimensions du produit.



Vérifier que le sous-plancher offre un support adéquat et qu'il est plat et nivelé.

## 1. Préparer le site

**AVIS:** Mesurer le produit en question pour la préparation du site. Noter le **numéro de modèle** se trouvant sur la pompe de la baignoire à hydromassage, puis visiter la page des produits sur le site [www.kohler.com](http://www.kohler.com) pour obtenir de l'information supplémentaire.

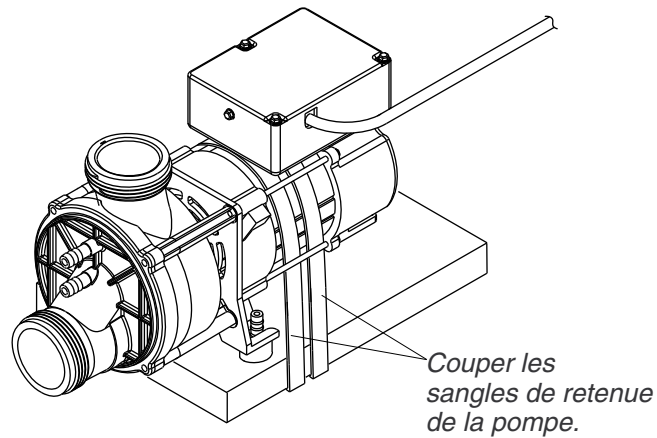
**AVIS:** Fournir un large espace non restreint pour pouvoir accéder à la pompe. Un accès doit être fourni pour l'entretien de la pompe. L'accès doit être situé juste à côté de la pompe.

**AVIS:** Ne pas soulever la baignoire à hydromassage par la tuyauterie ou la pompe et ne pas utiliser la tuyauterie ou la pompe comme support structurel de la baignoire à hydromassage. Afin d'éviter tout endommagement de la baignoire à hydromassage, soulever celle-ci par les côtés.

**AVIS:** Ne pas supporter le poids de charge de la baignoire à hydromassage par le rebord.

**REMARQUE:** Une installation à encastrer par le dessus, en alcôve ou en coin est possible, selon le produit choisi.

- Déballer et examiner soigneusement la nouvelle baignoire à hydromassage pour y déceler tout dommage avant d'effectuer l'installation. Si des dommages sont notés, ne pas installer la baignoire à hydromassage; contacter le concessionnaire.
- S'assurer que le sol offre un support adéquat pour la baignoire à hydromassage et vérifier que le plancher est plat et nivelé.
- Construire une charpente avec des montants de 2 x 4.
- Installer un panneau d'accès pour permettre un entretien futur de la pompe. Le panneau d'accès doit avoir une largeur de 30" (762 mm) et une hauteur de 15" (381 mm) au moins.
- Installer la tuyauterie de raccordement.
- Installer le drain sur la baignoire à hydromassage conformément aux instructions du fabricant du drain.
- Protéger la surface de la baignoire à hydromassage en plaçant une toile de protection propre dans le bas du bassin.



## 2. Déconnecter la pompe

**REMARQUE:** Ne pas couper le faisceau (tuyauterie) de la baignoire à hydromassage pour cette installation personnalisée.

- Déconnecter la pompe et le chauffe-eau (si inclus) de l'emplacement d'expédition en coupant les deux sangles de retenue avec des cisailles de ferblantier.
- Mettre la pompe et le chauffe-eau de côté.
- Déplacer le chauffe-eau et la pompe à côté des connexions d'entrée/de sortie personnalisées du faisceau de la baignoire à hydromassage. La pompe pourrait faire saillie au-delà du rebord de la baignoire.

### Option 1

Appliquer de la colle mastic.

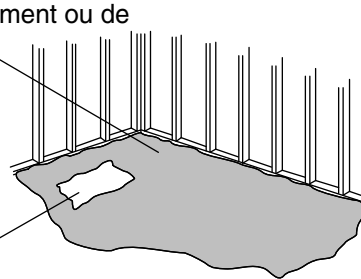
Blocs de support



### Option 2

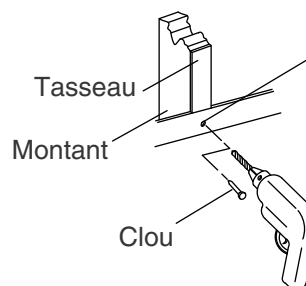
Lit de ciment ou de mortier

Créer un espace pour la pompe.



### Installation en alcôve à trois murs ou en coin

Percer un petit trou pilote dans le bride de cloutage sur chaque montant.



## 3. Installer la baignoire à hydromassage

**AVIS:** Ne pas soulever la baignoire à hydromassage par la tuyauterie ou la pompe et ne pas utiliser la tuyauterie ou la pompe comme support structural de la baignoire à hydromassage. Afin d'éviter tout endommagement de la baignoire à hydromassage, soulever celle-ci par les côtés.

- Si le sous-plancher n'est pas nivelé, placer des blocs de renfort ou des supports moulés sous la baignoire à hydromassage, si nécessaire.

### Option 1: Effectuer l'installation en utilisant de la colle mastic

**REMARQUE:** Certains modèles sont dotés de blocs de support; d'autres modèles ont des supports moulés.

- Appliquer une quantité suffisante de colle mastic de haute qualité sur la base des blocs de support ou des supports moulés. Avec de l'aide, lever la baignoire à hydromassage avec précaution pour la mettre en place.

### Option 2: Installer en utilisant un lit de ciment ou de mortier

**REMARQUE:** Ne pas utiliser de plâtre dur ou un mélange pour cloison sèche pour cette installation, car ces produits ne fournissent pas de scellement acceptable et durable.

- Placer la zone du bassin dans du ciment à maçonner de 1" (25 mm) à 2" (51 mm).

**REMARQUE:** Le support de pompe (une fois les sangles de retenue de la pompe coupées) doivent reposer directement sur le sous-plancher. La commande de la pompe ne doit pas entrer en contact avec le mortier.

### Fixer les brides de cloutage en place (dispositifs en alcôve)

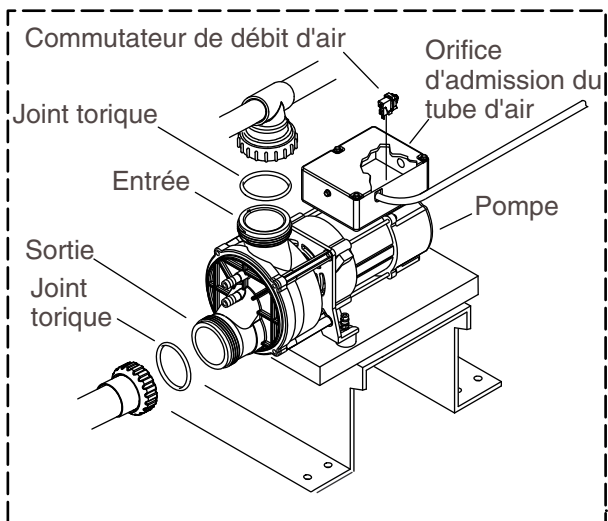
### **Installer la baignoire à hydromassage (cont.)**

- Percer un petit trou-pilote à travers la bride de cloutage de chaque montant. Utiliser des cales selon les besoins.
- Utiliser des clous galvanisés à grande tête pour fixer la bride de cloutage sur les montants.
- Clouer des tasseaux de 1/4" (6 mm) d'épaisseur sur les montants.

### **Installer la plomberie**

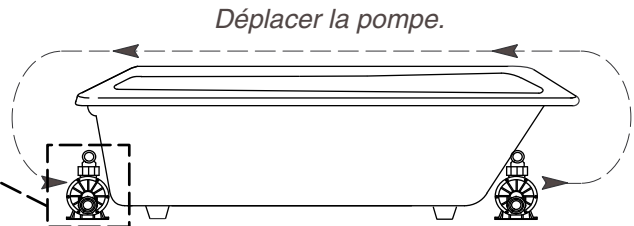
- Insérer la pièce de raccordement du drain dans le siphon. Fixer l'about du drain sur le siphon.
- Installer la vanne de robinet.
- Rechercher des fuites dans les connexions du drain.
- Si applicable, installer les barres d'appui selon les instructions.





Lors de l'installation de la pompe, s'assurer de retirer les bouchons de la tuyauterie d'arrivée et de sortie.

Fournir un accès d'entretien pour la pompe installée.

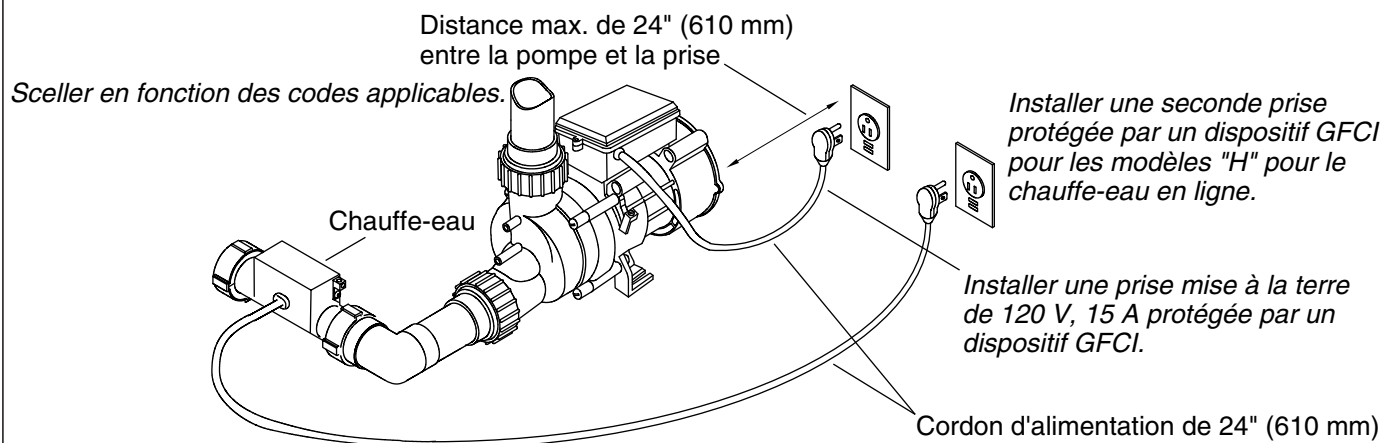


#### 4. Repositionner et connecter la pompe

- Retirer tout l'emballage de protection autour du faisceau de la baignoire à hydromassage.
- Couper seulement les attaches de câbles qui soutiennent les écrous de fixation du faisceau.
- Retirer les bouchons des raccords d'entrée et de sortie de la pompe.
- Installer les joints toriques/joints statiques fournis dans les rainures sur le connecteur d'entrée et de sortie.
- Placer la pompe sur le support.

**REMARQUE:** La pompe devrait reposer sur le même sous-plancher, au même niveau que les pieds de la baignoire à hydromassage. Caler la pompe sur le sous-plancher si nécessaire, mais s'assurer que les pieds isolants en caoutchouc sont en contact avec le plancher. La pompe doit seulement être assez élevée pour permettre à l'eau de se vider de la conduite d'aspiration lorsque la baignoire à hydromassage est vidée.

- Enfiler les écrous d'entrée et de sortie en plastique sur la pompe et le chauffe-eau, jusqu'à ce que les joints toriques et les joints statiques effectuent un contact initial.
- Serrer chaque écrou à la main en toute sécurité, puis serrer chaque écrou d'un quart de tour supplémentaire.
- S'assurer que la tuyauterie d'entrée de la baignoire à hydromassage est orientée vers le bas et à l'écart de la pompe.
- Sécuriser le support de la pompe avec quatre vis ou tire-fonds (non fournis).
- Connecter la tuyauterie pneumatique sur le commutateur de débit d'air se trouvant sur la pompe.



## 5. Effectuer les connexions électriques



**AVERTISSEMENT: Risque de choc électrique.** S'assurer que l'alimentation a été débranchée avant d'effectuer les procédures suivantes.



**AVERTISSEMENT: Risque de choc électrique.** Connecter la pompe et le chauffe-eau (si inclus) à des prises avec mise à la terre correctement mises à la terre et protégées par des disjoncteurs de fuite de terre (GFCI) ou des dispositifs à courant résiduel (RCD). Ne pas retirer les broches de mise à la terre des fiches. Ne pas utiliser d'adaptateurs de mise à la terre.

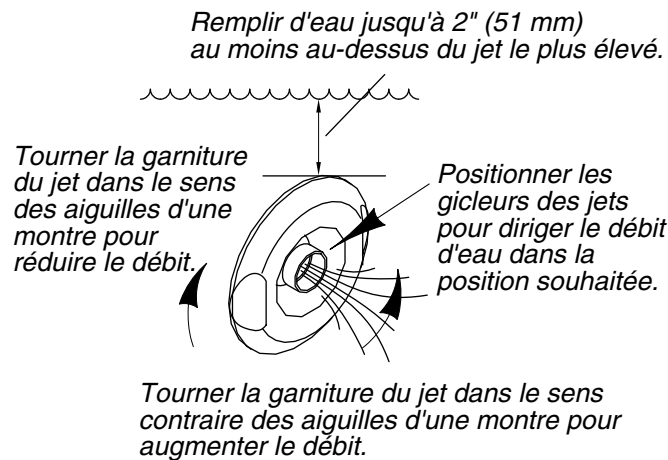
**REMARQUE:** Une étiquette qui identifie le numéro de modèle et les caractéristiques électriques de la baignoire à hydromassage est située à proximité de la pompe de la baignoire à hydromassage.

**AVIS:** La pompe et le chauffe-eau (si inclus) sont tous les deux munis d'un cordon et d'une fiche. Tous les câblages du chauffe-eau ont été effectués en usine. Un électricien qualifié doit installer une prise de 120 V, 15 A mise à la terre et protégée par un disjoncteur de fuite de terre (GFCI) ou un dispositif à courant résiduel (RCD) pour la pompe, et une autre pour le chauffe-eau. Aucune autre charge ne doit se trouver sur ces circuits.

- Installer une prise électrique dédiée à l'arrière de la baignoire à hydromassage et dans un rayon de 24" (610 mm) du cordon d'alimentation de la pompe.
- Brancher la fiche de la pompe sur cette prise.

**REMARQUE:** S'assurer d'attacher fermement la tubulure de l'actionneur pneumatique à la pompe, et vérifier qu'elle n'est ni pincée ni endommagée.

- Pour les appareils avec chauffe-eau, installer une deuxième prise électrique à l'arrière de la baignoire à hydromassage et à proximité du cordon d'alimentation du chauffe-eau de 24" (610 mm).
- Brancher la fiche du chauffe-eau sur cette prise.



## 6. Terminer l'installation

### Effectuer un essai de fonctionnement de la baignoire à hydromassage

- Remplir la baignoire à hydromassage à un niveau se trouvant à au moins 2" (51 mm) au-dessus du haut du jet le plus élevé.
- Faire fonctionner la baignoire à hydromassage pendant 5 minutes et s'assurer qu'aucun des raccords des tuyaux de la baignoire à hydromassage ne présente de fuites. Rechercher des fuites le long de l'avant et des côtés de la baignoire à hydromassage, et à l'arrière de celle-ci.
- Pour obtenir de l'information supplémentaire sur le fonctionnement de l'hydromassage, se reporter à la section "Instructions d'utilisation - Hydromassage".

### Finir l'installation

- Installer le panneau mural hydro-résistant, ainsi que tous les matériaux du mur fini, de la plate-forme, et du plancher.
- Appliquer un mastic à la silicone pour sceller toutes les zones où la baignoire à hydromassage et le mur fini ou la plate-forme entrent en contact.
- Installer la garniture de robinet.

### Nettoyer après l'installation

- Lors du nettoyage après l'installation, **ne pas utiliser de nettoyeurs abrasifs**, vu que ceux-ci risqueraient de rayer et d'abîmer la surface de la baignoire à hydromassage. Utiliser de l'eau chaude et un détergent liquide pour nettoyer la surface de la baignoire à hydromassage.
- Enlever les taches résistantes ou la peinture avec de l'essence de térébenthine ou un diluant pour peinture. **Ne pas laisser de nettoyeurs à base de distillats de pétrole rester en contact avec les surfaces de la baignoire à hydromassage pendant une longue période.** Retirer les résidus de plâtre en raclant avec précaution avec un bord en bois. Ne pas utiliser de grattoirs en métal, de brosses métalliques ou d'autres outils en métal. Utiliser un détergent en poudre sur un chiffon humide pour fournir une action abrasive légère sur les résidus de plâtre.

# Instructions Importantes sur la sécurité

## INSTRUCTIONS RELATIVES AUX RISQUES D'INCENDIE, D'ÉLECTROCUTION OU DE BLESSURES CORPORELLES

# LIRE ET SUIVRE TOUTES LES INSTRUCTIONS

## CONSERVER CES INSTRUCTIONS

### INSTRUCTIONS RELATIVES AUX RISQUES D'INCENDIE, D'ÉLECTROCUTION OU DE BLESSURES CORPORELLES



**AVERTISSEMENT:** Lors de l'utilisation de produits électriques, toujours observer les précautions de base, notamment:



**DANGER:** Risque de blessures ou de noyade accidentelles Afin de réduire les risques de blessures, ne jamais permettre à un enfant d'utiliser cet appareil sans surveillance.



**AVERTISSEMENT:** Risque de blessures. Pour éviter les blessures corporelles, entrer et sortir avec précaution de la baignoire à hydromassage.



**AVERTISSEMENT:** Risque de choc électrique. Ne pas amener les appareils électriques (tels que des sèche-cheveux, des lampes, des téléphones, des radios ou des télévisions) dans un rayon de 5' (1,5 m) de cette baignoire à hydromassage.



**AVERTISSEMENT:** La consommation d'alcool, de drogues ou de médicaments peut augmenter considérablement le risque fatal d'hyperthermie. Une immersion prolongée dans l'eau chaude peut provoquer une hyperthermie. Une hyperthermie a lieu lorsque la température corporelle interne atteint un niveau dépassant de plusieurs degrés la température corporelle normale de 98,6°F (37°C). Les symptômes d'hyperthermie comprennent une hausse de la température corporelle interne, les étourdissements, une léthargie, une somnolence et les évanouissements. Les effets de l'hyperthermie comprennent: (a) défaut de percevoir la chaleur, (b) défaut de s'apercevoir du besoin de sortir de la baignoire à hydromassage, (c) incapacité de reconnaître le danger, (d) dommages au fœtus dans le cas des femmes enceintes, (e) incapacité physique de sortir de la baignoire à hydromassage et (f) inconscience et danger conséquent de noyade.



**AVERTISSEMENT:** Risque d'hyperthermie. Les personnes sous médicaments et/ou qui sont en observation médicale doivent consulter leur médecin avant d'utiliser des baignoires à hydromassage équipées d'un chauffe-eau.



**AVERTISSEMENT:** Risque de préjudice corporel au fœtus. Les femmes enceintes ou qui pourraient être enceintes doivent consulter un médecin avant d'utiliser la baignoire à hydromassage.



**AVERTISSEMENT:** Risque d'hyperthermie ou de noyade. Ne pas utiliser la baignoire à hydromassage immédiatement après des exercices physiques rigoureux.



**AVERTISSEMENT:** Risque d'hyperthermie ou de noyade. Une température d'eau supérieure à 100°F (38°C) peut causer des traumatismes. Vérifier et régler la température de l'eau avant utilisation.



**AVERTISSEMENT:** Risque de blessures ou de noyade. Ne pas faire fonctionner cet appareil si le dispositif de protection (couvercle) n'est pas placé par-dessus le raccord d'aspiration.



**AVERTISSEMENT:** Risque de blessures. Ne jamais faire tomber ou insérer un objet quelconque dans les ouvertures.

Utiliser cette baignoire à hydromassage uniquement pour un usage tel que décrit dans ce guide. Ne pas utiliser de dispositifs d'attache non recommandés par Kohler Co.

La baignoire à hydromassage doit être raccordée uniquement à un circuit d'alimentation qui est protégé par un disjoncteur de fuite de terre (GFCI)\*. L'installateur doit fournir un disjoncteur de fuite de terre de ce type

### **Instructions Importantes sur la sécurité (cont.)**

et celui-ci doit être inspecté régulièrement. Pour inspecter le disjoncteur de fuite de terre, appuyer sur le bouton d'essai. Le disjoncteur de fuite de terre doit couper le courant. Appuyer sur le bouton de réinitialisation. L'alimentation devrait avoir été restaurée. Si le disjoncteur de fuite de terre ne fonctionne pas de cette manière, le disjoncteur est défectueux. Si le disjoncteur de fuite de terre interrompt l'alimentation de courant vers la baignoire à hydromassage sans que l'on ait appuyé sur le bouton d'essai, ceci indique qu'un courant à la terre est en train de circuler, et, par conséquent, il y a possibilité de choc électrique. Ne pas utiliser cette baignoire à hydromassage. Débrancher la baignoire à hydromassage et la faire réviser par un technicien qualifié avant de l'utiliser.

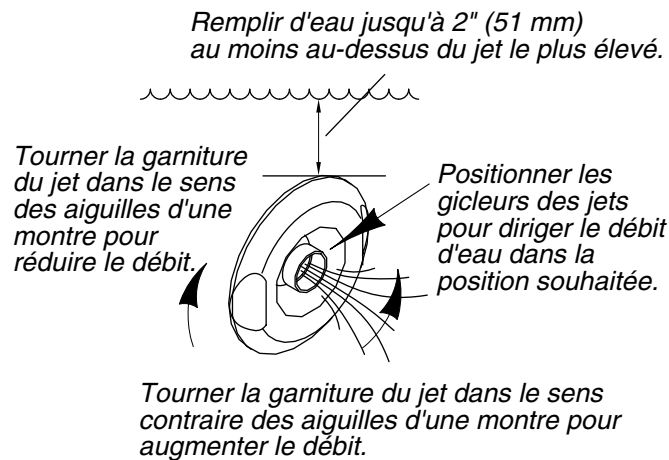
Purger le système de la baignoire à hydromassage deux fois par mois ou plus souvent selon la fréquence d'usage, tel que décrit dans la section "Purger le système" de ce guide.

L'utilisation répétée de produits d'hygiène et de beauté contenant des huiles peut endommager les composants en plastique de la baignoire à hydromassage. Éviter d'utiliser des huiles de bain.

L'action de massage de la baignoire à hydromassage peut considérablement faire mousser les produits de bain moussant, le savon, les shampoings, ou les huiles pour le bain, même de petite quantité. Pour cette raison, veiller à ne pas utiliser ces produits pendant le fonctionnement de la baignoire à hydromassage.

Votre nouvelle baignoire à hydromassage KOHLER a été homologuée par l'Underwriter's Laboratories, assurant ainsi votre sécurité et celle de votre famille. Cette baignoire à hydromassage est aussi conforme aux normes sévères de l'ANSI et de l'IAPMO établies pour l'industrie de la plomberie.

\* Hors de l'Amérique du Nord, ce dispositif peut être connu sous le nom de dispositif à courant résiduel (RCD).



## Instructions d'utilisation

**REMARQUE:** La température de l'eau de la baignoire à hydromassage ne doit pas dépasser 104°F (40°C).

- Fermer le drain, puis remplir la baignoire à hydromassage à au moins 2" (51 mm) au-dessus du jet le plus élevé.
- Utiliser la main pour tester la température de l'eau pour le confort et la sécurité, puis entrer doucement dans la baignoire à hydromassage.
- Appuyer sur le commutateur de débit d'air pour mettre la pompe en marche.

**REMARQUE:** S'il est présent, le chauffe-eau se met automatiquement en marche.

- Ajuster les jets pour un mélange optimal de l'eau et de l'air. Tourner les bagues de garniture des jets dans le sens des aiguilles d'une montre pour réduire le débit, ou dans le sens contraire des aiguilles d'une montre pour augmenter le débit. Orienter les gicleurs des jets pour diriger le débit d'eau dans la position souhaitée.
- Appuyer sur le commutateur de débit d'air une deuxième fois pour arrêter la pompe.
- Sortir avec précaution de la baignoire à hydromassage, puis ouvrir le drain pour la vider de son eau.

**REMARQUE:** Si la baignoire ne fonctionne pas correctement, se référer à la section "Procédures de dépannage".

## Entretien et nettoyage

Pour obtenir les meilleurs résultats possibles, prendre ce qui suit en considération lors de l'entretien de votre produit KOHLER:

- Toujours tester la solution de nettoyage sur une surface non visible avant de l'appliquer sur l'ensemble de la surface.
- Essuyer les surfaces et rincer complètement avec de l'eau immédiatement après l'application du nettoyant. Rincer et sécher tout éclaboussement sur les surfaces avoisinantes.
- Ne pas laisser les nettoyeurs tremper sur les surfaces.
- Utiliser une éponge ou un chiffon doux et humide. Ne jamais utiliser de matériau abrasif tel qu'une brosse ou une éponge à récurer pour nettoyer les surfaces.

Pour obtenir des informations détaillées sur le nettoyage et les produits à considérer, consulter le site [www.kohler.com/clean](http://www.kohler.com/clean). Pour commander des informations sur l'entretien & le nettoyage, appeler le 1-800-456-4537.

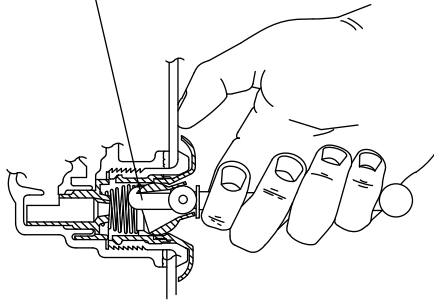
## Purger le système

**REMARQUE:** Purger le système d'hydromassage deux fois par mois ou plus, selon la fréquence d'utilisation.

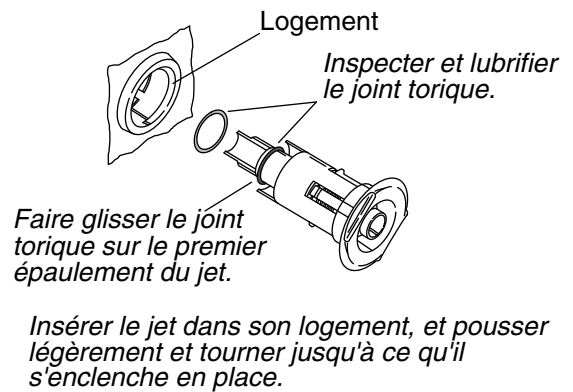
- Tourner les bagues de garniture des jets complètement dans le sens des aiguilles d'une montre pour réduire l'induction d'air.
- Remplir la baignoire à hydromassage d'eau chaude à au moins 2" (51 mm) au-dessus du jet le plus élevé.
- Ajouter à l'eau 2 petites cuillères (10 ml) d'un détergent en poudre pour lave-vaisselle automatique peu moussant et 20 onces (590 ml) d'eau de javel domestique (5% à 6% d'hypochlorite de sodium).
- Faire fonctionner la baignoire à hydromassage pendant 5 à 10 minutes. Arrêter la baignoire à hydromassage et purger.
- Si souhaité, rincer les surfaces de la baignoire avec de l'eau.
- Rincer les surfaces des jets, le robinet, les barres d'appui et le drain, et les sécher avec un chiffon doux.

### Retirer les jets

Insérer le crochet de l'outil comme sur l'illustration et tirer sur le jet pour le faire sortir de son logement. Le jet doit être tourné vers le haut lorsque ceci est effectué.



### Réinstaller les jets



## Procédures de dépannage

**AVIS:** Cette section est seulement destinée à une aide générale. Un représentant du service agréé Kohler Co. ou un électricien qualifié doit rectifier tous les problèmes électriques. Pour un service de garantie, appeler le 1-800-4KOHLER à partir des É.-U. et du Canada, ou le 001-800-456-4537 à partir du Mexique.

Pour tout renseignement sur les pièces de rechange, visiter la page du produit sur le site [www.kohler.com](http://www.kohler.com).

### Retirer les jets

**REMARQUE:** Un outil spécial est fourni avec les jets de remplacement pour permettre de retirer les anciens jets de la baignoire à hydromassage. Cet outil est aussi fourni avec chaque kit de garniture.

- Positionner le gicleur à sphère du jet de façon à ce qu'il pointe vers le haut.
- Insérer l'outil d'extraction, avec son côté crochet vers le haut dans l'ouverture du jet et accrocher la partie supérieure intérieure du gicleur.
- Tenir l'outil fermement et placer le pouce contre le mur de la baignoire à hydromassage. Tirer de manière uniforme sur l'outil jusqu'à ce que l'ensemble du jet sorte du trou. Faire attention à ne pas perdre le joint torique.

### Réinstaller les jets

**REMARQUE:** Pour permettre une rotation aisée et un bon fonctionnement des jets, le joint torique doit être: (1) placé correctement, (2) lubrifié, et (3) en bon état.

- Poser le joint torique sur le **premier épaulement** du jet.
- Lubrifier le joint torique avec le paquet de lubrifiant à la silicone (fourni), afin d'éviter un fonctionnement bruyant du jet.
- Insérer délicatement le jet dans le logement, puis pousser légèrement sur le jet et tourner celui-ci jusqu'à ce qu'il s'enclenche en place. **Ne pas forcer le jet.**
- Vérifier que le jet est installé correctement. Le jet devrait pouvoir tourner sans difficulté dans le sens des aiguilles d'une montre, et dans le sens contraire. Retirer et réinstaller si nécessaire.



## Procédures de dépannage (cont.)

Symptômes	Causes probables	Action recommandée
1. L'hydromassage ne démarre pas ou ne s'arrête pas.	<p>A. Moteur non alimenté.</p> <p>B. Le tuyau d'air est desserré ou déconnecté.</p> <p>C. Le tuyau d'air est pincé ou déformé.</p> <p>D. L'ensemble du bouton-poussoir est endommagé.</p> <p>E. De la graisse est présente dans la zone de purge du bouton-poussoir.</p> <p>F. Le tuyau d'air est endommagé.</p> <p>G. Le moteur/la pompe ne fonctionne pas.</p>	<p>A. Vérifier que la pompe et que le chauffe-eau sont branchés et que le disjoncteur de fuite de terre (GFCI) ou le dispositif à courant différentiel (RCD) sont dans la position correcte. Brancher ou réinitialiser le dispositif GFCI/RCD selon les besoins.</p> <p>B. Vérifier que le tuyau est connecté aux deux extrémités receveur/pompe et au commutateur de débit d'air. Reconnecter si nécessaire.</p> <p>C. Ajuster le tuyau pour dégager la zone pincée/déformée. Si la tubulure est pincée/déformée et si elle ne peut être réajustée, ou si aucun pincement/aucune déformation évidents ne sont apparents, percer un petit trou dans la tubulure avec une punaise et essayer de nouveau le système.</p> <p>D. Remplacer l'ensemble du bouton-poussoir.</p> <p>E. Désassembler l'ensemble du bouton-poussoir et essuyer tout excès de graisse. Réassembler le bouton et réessayer de faire fonctionner le système.</p> <p>F. Remplacer le tuyau d'air.</p> <p>G. Remplacer le moteur/la pompe.</p>
2. Le moteur démarre, certains jets ne fonctionnent pas.	<p>A. Jet fermé.</p> <p>B. Le jet n'est pas installé correctement.</p> <p>C. Jets obstrués.</p>	<p>A. Tourner la bague de garniture du jet dans le sens antihoraire pour ouvrir.</p> <p>B. Réinstaller le jet; vérifier l'état du joint torique.</p> <p>C. Éliminer l'obstruction.</p>
3. La pompe ne s'amorce pas.	<p>A. Pompe placée trop haut.</p>	<p>A. Abaisser la bride de support de la pompe.</p>
4. Fonctionnement bruyant.	<p>A. Les sangles de retenue de la pompe n'ont pas été coupées. (Modèles avec des blocs de support uniquement.)</p> <p>B. Le joint torique est délogé.</p>	<p>A. Couper les sangles de retenue de la pompe avec des cisailles de ferblantier.</p> <p>B. Retirer le jet, remplacer et lubrifier le joint torique et réinstaller le jet.</p>
5. Le chauffe-eau ne fonctionne pas. (Modèles "H" seulement)	<p>A. Chauffe-eau non alimenté.</p> <p>B. La température de l'eau dépasse 104°F (40°C).</p> <p>C. Le chauffe-eau ne fonctionne pas.</p>	<p>A. Réinitialiser le GFCI ou le RCD.</p> <p>B. Laisser l'eau se refroidir et le chauffe-eau redémarrera.</p> <p>C. Remplacer le chauffe-eau.</p>

## Garantie

### GARANTIE LIMITÉE D'UN AN

Les produits de plomberie KOHLER sont garantis contre tout vice de matériau et de fabrication pendant un an à partir de la date de l'installation.

Si un vice est découvert au cours d'une utilisation normale, Kohler Co. choisira, à sa discrétion, la réparation, le remplacement ou la rectification appropriée après inspection desdits vices par Kohler Co. pendant un (1) an à partir de la date d'installation. Kohler Co. n'est pas responsable des frais d'enlèvement ou d'installation. **L'utilisation de nettoyeurs à l'intérieur du réservoir annule la garantie.**

Pour obtenir le service de garantie, contacter Kohler Co., par l'intermédiaire du vendeur, plombier, centre de rénovation ou revendeur par internet, ou bien par écrit à l'adresse suivante Kohler Co., Attn.: Customer Care Center, 444 Highland Drive, Kohler, WI 53044, USA, ou appeler le 1-800-4-KOHLER (1-800-456-4537) à partir des É.-U. et du Canada, et le 001-800-456-4537 à partir du Mexique, ou consulter le site [www.kohler.com](http://www.kohler.com) aux É.-U., [www.ca.kohler.com](http://www.ca.kohler.com) à partir du Canada, ou [www.mx.kohler.com](http://www.mx.kohler.com) au Mexique.

**LES GARANTIES TACITES, Y COMPRIS CELLES DE COMMERCIALITÉ ET D'ADAPTATION À UN USAGE PARTICULIER, SONT EXPRESSÉMENT LIMITÉE À LA DURÉE DE LA PRÉSENTE GARANTIE. KOHLER CO. ET/OU LE REVENDEUR DÉCLINENT TOUTE RESPONSABILITÉ CONTRE LES DOMMAGES PARTICULIERS, ACCESSOIRES OU INDIRECTS.** Certains états et provinces ne permettent pas de limite sur la durée de la garantie tacite, ni l'exclusion ou la limite des dommages particuliers, accessoires ou indirects, et, par conséquent, lesdites limites et exclusions peuvent ne pas s'appliquer à votre cas. Cette garantie vous donne des droits juridiques particuliers. Vous pouvez également avoir d'autres droits qui varient d'un état ou d'une province à l'autre.

Ceci constitue la garantie écrite exclusive de Kohler Co.

## Garantie

### Pour le Mexique

KOHLER CO.

Il est recommandé de s'assurer qu'il ne manque aucun accessoire ou composant dans l'emballage au moment de l'achat.

Ce produit Kohler est garanti contre tout défaut de matériel et de fabrication pour une période d'un (1) an à partir de la date d'achat tel qu'indiqué sur la facture ou le reçu de caisse.

1. Kohler Co. effectuera seulement un entretien de ses produits commercialisés à travers son réseau de distributeurs agréés.
2. Pour obtenir un service-garantie, présenter la facture et le certificat de garantie du produit correspondant.
3. Kohler Co. s'engage, par l'intermédiaire de ses distributeurs autorisés, à réparer ou à remplacer tout produit défectueux par un modèle équivalent (dans les cas où les modèles ne sont plus fabriqués) lorsque le produit ne peut pas être réparé, sans frais pour le consommateur.
4. Le temps de réparation n'excédera pas six (6) semaines à compter de la date de réception du produit.
5. Il est recommandé que le consommateur conserve la facture ou le ticket de caisse comme mesure de protection supplémentaire, car ceux-ci pourraient remplacer la garantie dans le cas d'erreur de validité de la garantie.

### EXCEPTIONS ET RESTRICTIONS

La garantie perdra sa validité dans les cas suivants:

1. Lorsque le produit n'est pas utilisé conformément aux instructions d'utilisation et de fonctionnement indiquées dans le guide du propriétaire ou dans les instructions d'installation, et quand les recommandations et mises en garde ne sont pas respectées.
2. Quand le produit a été partiellement ou totalement modifié ou démonté, ou s'il a été utilisé d'une façon négligée ayant pour conséquence un endommagement causé par le consommateur, une personne ou un matériel non autorisé par Kohler Co.

**Garantie (cont.)**

3. Cette garantie ne couvre pas les dommages issus de catastrophes telles que les incendies ou les catastrophes naturelles, y compris les inondations, les tremblements de terre, les orages électriques, etc. Pour obtenir une liste des distributeurs dans votre région auprès desquels il est possible d'exercer ses droits dans le cadre de la présente garantie, composer le 001-800-456-4537.

KOHLER CO., KOHLER, WI 53044 U.S.A.

**IMPORTATEUR:**

COMERCIALIZADORA INTERCERAMIC, S.A. DE C.V.

AV. CARLOS PACHECO NO. 7200, COL. MADERA 65

CHIHUAHUA, CHIH., MEXICO C.P. 31060

R.F.C. CIN141022IE9

TÉL.: 52 (614) 429-11-11

**IMPORTATEUR:**

GAMA MATERIALES Y ACEROS, S.A. DE C.V.

AVE LOS ANGELES NO. 1800

COL VALLE DEL NOGALAR, SAN NICOLAS DE LOS GARZA

N.L. MEXIQUE

R.F.C. GMA901220U11

TÉL.: 81-1160-5500

# Guía de instalación y cuidado

## Bañera de hidromasaje de 120 V

### Ubicación de la bomba a la medida

## Instrucciones de instalación



**ADVERTENCIA:** Al usar aparatos eléctricos siempre cumpla las precauciones básicas, incluidas las siguientes:



**PELIGRO: Riesgo de sacudidas eléctricas.** Conecte solo a un circuito protegido por un interruptor de circuito con pérdida a tierra (GFCI)\*.

El material de construcción y el cableado se deben colocar lejos del cuerpo de la bomba y de otros componentes que producen calor.

Instale de manera que quede acceso para dar servicio.

El compartimiento de cables incluye un conector a presión marcado "Earth/Ground" (tierra). Para reducir el riesgo de una sacudida eléctrica, conecte este conector al terminal de tierra de su tablero eléctrico o al panel de suministro eléctrico con un cable de cobre del tamaño equivalente al conductor del circuito que alimenta este equipo.

Se incluyen conectores a presión en el exterior de la caja de empalmes o del control dentro de esta unidad para permitir la conexión de un conductor equipotencial entre esta unidad y todo el metal expuesto en la cercanía, lo que sea necesario para cumplir requisitos locales.

**Se requiere conexión a tierra.** Un representante de servicio autorizado debe instalar esta unidad y conectarla a tierra.



**ADVERTENCIA: Riesgo de lesiones personales o de daños a la propiedad.** Lea atentamente todas las instrucciones antes de comenzar la instalación, además de los requisitos detallados a continuación.



**ADVERTENCIA: Riesgo de sacudidas eléctricas.** Un electricista calificado debe hacer todas las conexiones eléctricas.



**ADVERTENCIA: Riesgo de sacudidas eléctricas.** Desconecte el suministro eléctrico antes de dar servicio.

**AVISO: Cumpla todos los códigos locales de electricidad y de plomería.** En Canadá, instale la unidad conforme al Código Eléctrico Canadiense, Parte 1.

\*Fuera de Estados Unidos, es posible que este dispositivo se conozca como dispositivo de corriente residual (RCD, por sus siglas en inglés).

## Información sobre el producto

### Requisitos eléctricos

La instalación debe contar con un interruptor de circuito con pérdida a tierra (GFCI)\* de Clase A. El interruptor GFCI protege contra el peligro de sacudida eléctrica de línea a tierra. **Utilice un circuito dedicado de 120 V, 15 A y 60 Hz para la bañera de hidromasaje.**

Los modelos "H" requieren un circuito dedicado de 120 V, 15 A y 60 Hz para el calentador.

Si el cable eléctrico de la bomba está dañado, debe ser reemplazado por el fabricante, un agente de servicio autorizado por el fabricante o personas igualmente calificadas para así evitar un peligro. El cable eléctrico del calentador no se puede reemplazar. Si el cable eléctrico del calentador está dañado, el calentador se debe reemplazar.

## Información sobre el producto (cont.)

\*Fuera de Estados Unidos, es posible que este dispositivo se conozca como dispositivo de corriente residual (RCD, por sus siglas en inglés).

## Avisos sobre el producto



**ADVERTENCIA:** Las modificaciones no autorizadas pueden causar un funcionamiento peligroso y bajo rendimiento de la bañera de hidromasaje. No cambie la ubicación de la bomba de la bañera de hidromasaje, ni haga otras modificaciones en el sistema de hidromasaje, ya que esto podría tener un efecto adverso en el rendimiento y en el funcionamiento seguro de la bañera de hidromasaje. Kohler Co. no será responsable bajo su garantía o de ninguna otra forma, de lesiones personales o daños provocados por modificaciones no autorizadas.

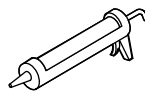
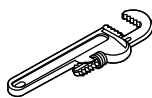
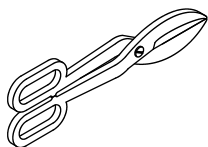
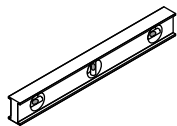
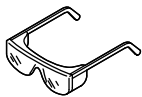
## Características

Los componentes instalados en la fábrica incluyen una bomba con cable de suministro eléctrico y un transmisor de interruptor de aire.

Los modelos "H" también vienen equipados con un calentador ensamblado en fábrica.

La bomba y las tuberías de la bañera de hidromasaje están ensambladas en fábrica.

## Herramientas y materiales



Tijeras para chapa

Sellador 100% de silicona

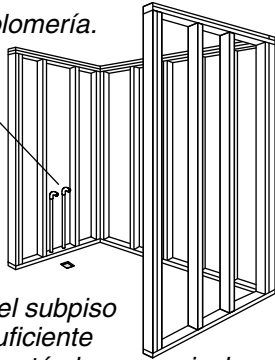
Más:

- Herramientas y materiales convencionales de carpintería
- Lona
- Adhesivo de construcción (opcional)
- Cemento\* o mortero (opcional)
- Postes de madera de 2x4

\* No utilice cemento de yeso.

### Encajonado entre tres paredes

Coloque las tuberías de plomería.

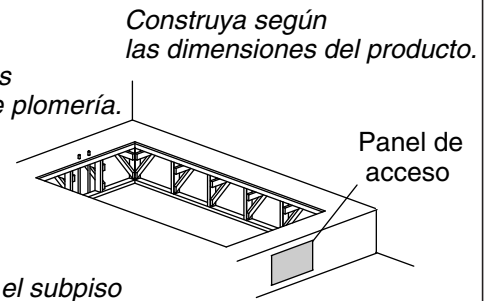


Verifique que el subpiso proporcione suficiente soporte y que esté plano y a nivel.

Construya una estructura de postes de madera de 2x4 según las dimensiones del producto.

### De sobreponer

Coloque las tuberías de plomería.



Construya según las dimensiones del producto.

Verifique que el subpiso proporcione suficiente soporte y que esté plano y a nivel.

## 1. Prepare el sitio

**AVISO:** Mida su producto para preparar el lugar. Fíjese en el **número de modelo** ubicado en la bomba de la bañera de hidromasaje, luego visite la página del producto en [www.kohler.com](http://www.kohler.com) para información adicional.

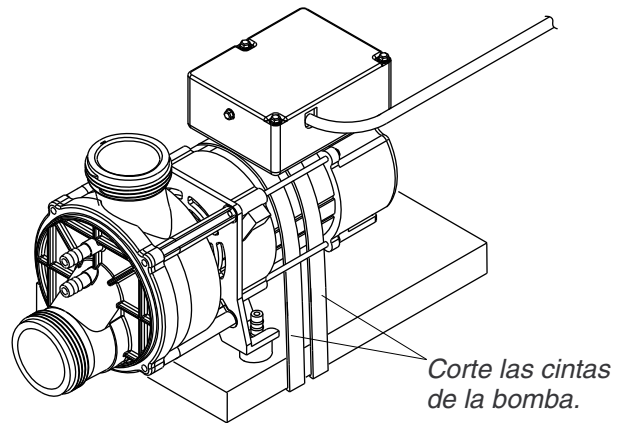
**AVISO:** Deje **amplio acceso, sin restricciones a la bomba**. Debe dejar acceso para dar servicio a la bomba. El acceso se debe dejar justo al lado de la bomba.

**AVISO:** No levante la bañera de hidromasaje por los tubos o por la bomba, ni use los tubos ni la bomba como soporte estructural de la bañera de hidromasaje. Para evitar causar daños a la bañera de hidromasaje, levántela por los lados.

**AVISO:** No apoye el peso de la bañera de hidromasaje sobre el reborde.

**NOTA:** De acuerdo al producto elegido es posible realizar una instalación de sobreponer, encajonada entre tres paredes o en esquina.

- Antes de la instalación, saque las piezas de la caja y revise que la bañera de hidromasaje nueva no presente daños. Si la bañera de hidromasaje presenta daños, no la instale; comuníquese con su distribuidor.
- Asegúrese de que el piso ofrezca suficiente soporte para su bañera de hidromasaje y verifique que el subpiso esté plano y nivelado.
- Construya una estructura de postes de madera de 2x4.
- Instale un panel de acceso para dar servicio futuro a la bomba. Este panel de acceso debe tener por lo menos 30" (762 mm) de ancho y 15" (381 mm) de alto.
- Instale el tendido de plomería.
- Instale el desagüe en la bañera de hidromasaje de acuerdo a las instrucciones del fabricante del desagüe.
- Proteja la superficie de la bañera de hidromasaje colocando una lona limpia en el fondo.



## 2. Desconecte la bomba

**NOTA:** No corte el arnés (tubería) de la bañera de hidromasaje para esta instalación de ubicación a la medida.

- Desconecte la bomba y el calentador (si se incluyen) de la ubicación para transporte, cortando las dos cintas flejadoras con tijeras de chapa.
- Coloque a un lado la bomba y el calentador.
- Ubique la bomba y el calentador junto a las conexiones de entrada/salida a la medida, del arnés de la bañera de hidromasaje. Es posible que la bomba sobresalga del borde de la bañera.

### Opción 1

Aplique adhesivo de construcción.

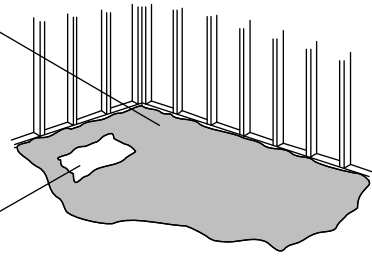
Bloques de soporte



### Opción 2

Capa de cemento o mortero

Limpie el espacio para la bomba.

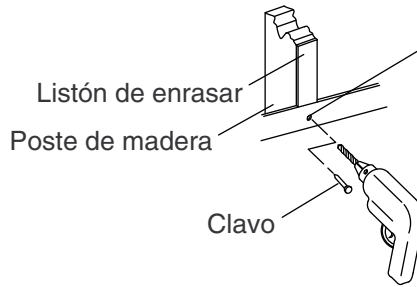


### Instalaciones de encajonado entre tres paredes o en esquina

Taladre un orificio pequeño a través del reborde de clavado a la altura de cada poste.

Listón de enrasar  
Poste de madera

Clavo



## 3. Instale la bañera de hidromasaje

**AVISO:** No levante la bañera de hidromasaje por los tubos o por la bomba, ni use los tubos ni la bomba como soporte estructural de la bañera de hidromasaje. Para evitar causar daños a la bañera de hidromasaje, levántela por los lados.

- Si el subpiso no está nivelado, acúñe los bloques de soporte o los soportes moldeados de la bañera de hidromasaje según sea necesario.

### Opción 1: Instale con adhesivo de construcción

**NOTA:** Algunos modelos vienen con bloques de soporte; algunos modelos tienen soportes moldeados.

- Aplique una cantidad abundante de adhesivo de construcción de alta calidad en la parte inferior de los bloques de soporte o de los soportes moldeados. Con ayuda, coloque con cuidado la bañera de hidromasaje en su lugar.

### Opción 2: Instale con una capa de cemento o mortero

**NOTA:** No utilice cemento de yeso o pasta para paneles de yeso con esta aplicación, puesto que no se produce adherencia aceptable ni duradera.

- Coloque el área del fondo en una capa de cemento mortero de 1" (25 mm) a 2" (51 mm).

**NOTA:** El soporte de la bomba (cuando se cortan las cintas flejadoras de la bomba) debe descansar directamente sobre el subpiso. El control de la bomba no debe entrar en contacto con el mortero.

### Fije las pestañas para clavar (unidades para encajonado entre tres paredes)

- Taladre un pequeño orificio guía a través de la pestaña para clavar en cada poste de madera. Agregue cuñas según sea necesario.

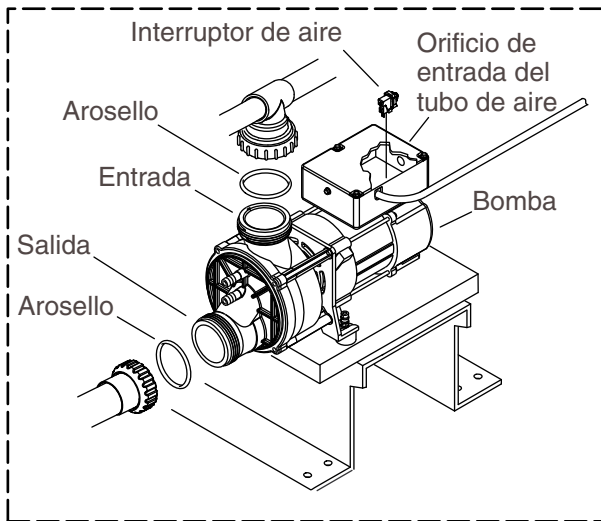


**Instale la bañera de hidromasaje (cont.)**

- Utilice clavos galvanizados de cabeza grande para fijar la pestaña para clavar a los postes.
- Clave listones de enrasar de 1/4" (6 mm) a los postes.

**Instale la plomería**

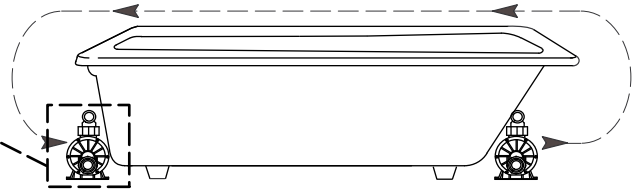
- Introduzca el tubo final de desagüe en la trampa. Fije el tubo final de desagüe a la trampa.
- Instale la válvula de la grifería.
- Revise que no haya fugas en las conexiones de desagüe.
- Si se requiere, instale las agarraderas según las instrucciones.



Al instalar la bomba, asegúrese de retirar los tapones de las tuberías de entrada y salida.

Proporcione acceso a la bomba instalada para el mantenimiento.

Cambie la ubicación de la bomba.

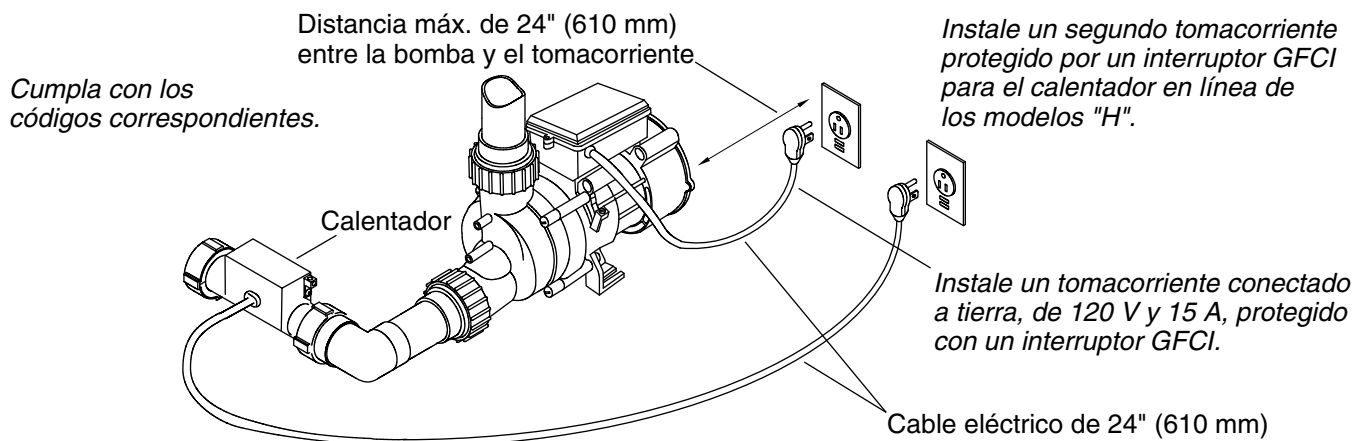


#### 4. Cambie la ubicación y conecte la bomba

- Retire todo el embalaje protector de las tuberías de la bañera de hidromasaje.
- Sólo corte los sujetacables que sujetan las tuercas de sujeción del arnés.
- Retire los tapones de las conexiones de entrada y salida de la bomba.
- Instale los arosellos (O-rings)/empaques provistos en las ranuras de los conectores de entrada y salida.
- Coloque la bomba sobre el soporte.

**NOTA:** La bomba debe estar apoyada en el mismo subpiso, y al mismo nivel que los pies de la bañera de hidromasaje. Agregue cuñas al subpiso debajo de la bomba si es necesario, pero asegúrese de que los pies aislantes de goma estén en contacto con el piso. La bomba debe quedar sólo a la altura suficiente que permita que el agua desagüe por la línea de succión cuando se vacíe la bañera de hidromasaje.

- Enrosque las tuercas plásticas de la entrada y salida a la bomba y el calentador hasta que los arosellos (O-rings) y los empaques hagan contacto inicial.
- Apriete a mano cada tuerca, luego apriete cada tuerca un cuarto de vuelta adicional.
- Verifique que la tubería de entrada de la bañera de hidromasaje esté inclinada hacia abajo y que se encuentre lejos de la bomba
- Fije el soporte de la bomba con cuatro tornillos o pernos de fijación (no provistos).
- Conecte el tubo de aire al interruptor de aire en la bomba.



## 5. Haga las conexiones eléctricas



**ADVERTENCIA: Riesgo de sacudidas eléctricas.** Asegúrese de desconectar la corriente eléctrica antes de realizar los siguientes procedimientos.



**ADVERTENCIA: Riesgo de sacudidas eléctricas.** Conecte la bomba y el calentador (si provisto) a un tomacorriente con conexión a tierra que tenga protección mediante un interruptor de circuito con pérdida a tierra (GFCI) o dispositivo de corriente residual (RCD). No retire las clavijas de conexión a tierra de los enchufes. No utilice adaptadores de conexión a tierra.

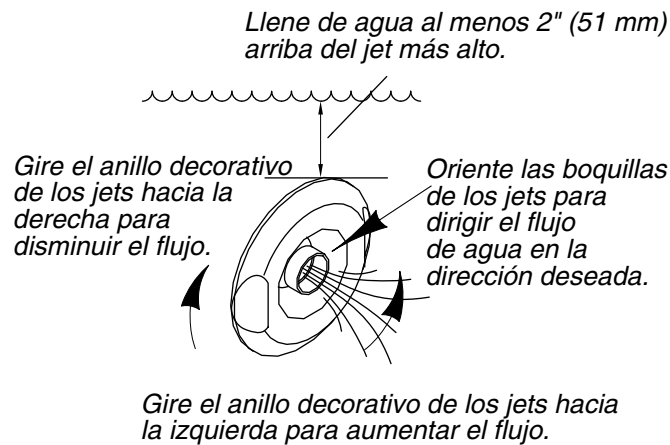
**NOTA:** Una etiqueta que identifica el número de modelo y la capacidad nominal eléctrica de la bañera de hidromasaje se encuentra cerca de la bomba de hidromasaje.

**AVISO:** La bomba y el calentador (si provisto) están equipados con un cable y un enchufe. Todo el cableado del calentador se ha realizado en fábrica. Un electricista calificado debe instalar un tomacorriente conectado a tierra de 120 V, 15 A, protegido por un GFCI o RCD para la bomba y otro para el calentador. El circuito no debe tener ninguna otra carga.

- Instale un tomacorriente eléctrico dedicado detrás de la bañera de hidromasaje, y al alcance del cable de suministro eléctrico de la bomba de 24" (610 mm).
- Enchufe la bomba en este tomacorriente.

**NOTA:** Asegúrese de que el tubo del accionador de aire esté bien conectado a la bomba y que no esté doblado ni dañado.

- Para unidades con calentadores, instale un segundo tomacorriente eléctrico detrás de la bañera de hidromasaje, y al alcance del cable eléctrico del calentador de 24" (610 mm).
- Enchufe el calentador en este tomacorriente.



## 6. Termine de hacer la instalación

### Pruebe el funcionamiento de la bañera de hidromasaje

- Llene la bañera de hidromasaje a un nivel de por lo menos 2" (51 mm) arriba del jet más alto.
- Deje funcionar la bañera de hidromasaje durante 5 minutos y revise que no haya fugas en las conexiones de todas las tuberías de la bañera de hidromasaje. Verifique que no haya fugas a lo largo del frente, los lados y la parte posterior de la bañera de hidromasaje.
- Para obtener información adicional sobre el funcionamiento de la bañera de hidromasaje, consulte la sección "Instrucciones de funcionamiento - Bañera de hidromasaje".

### Termine de hacer la instalación

- Instale panel de yeso impermeable y todos los materiales de acabado de la pared, la cubierta y el piso.
- Aplique sellador de silicona para sellar todas las áreas donde hacen contacto la bañera de hidromasaje y la pared acabada o la cubierta.
- Instale la guarnición de la grifería.

### Limpieza después de la instalación

- Al limpiar después de la instalación, **no utilice productos de limpieza abrasivos** pues pueden rayar y opacar la superficie de la bañera de hidromasaje. Utilice agua tibia y detergente líquido para limpiar la superficie de la bañera de hidromasaje.
- Limpie las manchas difíciles de quitar o la pintura con aguarrás o con diluyente de pintura. **No permita que los productos de limpieza que contengan destilados de petróleo permanezcan en contacto con la superficie de la bañera de hidromasaje durante periodos prolongados.** Raspe con un canto de madera para retirar con cuidado el yeso. No utilice raspadores de metal, cepillos de alambre ni otras herramientas metálicas. Se puede utilizar detergente en polvo con un trapo húmedo para proporcionar una acción abrasiva suave en los residuos de yeso.

# Instrucciones importantes de seguridad

## INSTRUCCIONES RELATIVAS A LOS RIESGOS DE INCENDIO, SACUDIDA ELÉCTRICA O LESIONES PERSONALES

## Instrucciones importantes de seguridad (cont.)

# LEA Y SIGA TODAS LAS INSTRUCCIONES GUARDE ESTAS INSTRUCCIONES

### INSTRUCCIONES RELATIVAS A LOS RIESGOS DE INCENDIO, SACUDIDA ELÉCTRICA O LESIONES PERSONALES



**ADVERTENCIA:** Al usar aparatos eléctricos siempre cumpla las precauciones básicas, incluidas las siguientes:



**PELIGRO:** Riesgo de lesiones personales o ahogamiento. Para reducir el riesgo de lesiones, no permita que los niños usen este producto sin supervisión estricta en todo momento.



**ADVERTENCIA:** Riesgo de lesiones personales. Para evitar lesiones, tenga cuidado al entrar y salir de la bañera de hidromasaje.



**ADVERTENCIA:** Riesgo de sacudidas eléctricas. No coloque aparatos eléctricos (como secador de pelo, lámparas, teléfono, radio o televisión) a menos de 5' (1,5 m) de esta bañera de hidromasaje.



**ADVERTENCIA:** El uso de alcohol, drogas o medicamentos puede aumentar enormemente el riesgo de sufrir hipertermia fatal. La inmersión prolongada en agua caliente puede producir hipertermia. Ocurre hipertermia cuando la temperatura interna del cuerpo alcanza un nivel varios grados más arriba de la temperatura corporal normal de 98,6°F (37°C). Los síntomas de hipertermia incluyen aumento de la temperatura corporal interna, mareos, letargo, somnolencia y desfallecimiento. Los efectos de hipertermia incluyen: (a) incapacidad para percibir calor, (b) incapacidad para reconocer la necesidad de salir de la bañera de hidromasaje, (c) inconsciencia de un peligro inminente, (d) daño al feto en mujeres embarazadas, (e) inhabilidad física para salir de la bañera de hidromasaje y (f) pérdida del conocimiento con peligro de ahogarse.



**ADVERTENCIA:** Riesgo de hipertermia. Las personas bajo tratamiento médico o que padezcan de alguna condición médica deben consultar con un médico antes de utilizar una bañera de hidromasaje equipada con un calentador.



**ADVERTENCIA:** Riesgo de lesiones mortales. Las mujeres embarazadas o que posiblemente estén embarazadas deben consultar a un médico antes de usar la bañera de hidromasaje.



**ADVERTENCIA:** Riesgo de hipertermia o ahogamiento. No utilice la bañera de hidromasaje inmediatamente después de hacer ejercicio.



**ADVERTENCIA:** Riesgo de hipertermia o ahogamiento. La temperatura del agua superior a 100°F (38°C) puede causar lesiones. Pruebe y ajuste la temperatura del agua antes de usar la bañera.



**ADVERTENCIA:** Riesgo de lesiones personales o ahogamiento. No permita que esta unidad funcione sin la guarda (tapa) en el conector de succión.



**ADVERTENCIA:** Riesgo de lesiones personales. No deje caer ni introduzca objetos en ninguna de las aberturas.

Use esta bañera de hidromasaje únicamente con el fin para el que se ha fabricado, tal como se explica en esta guía. No use equipos adicionales que no recomiende Kohler Co.

La bañera de hidromasaje se debe conectar a un circuito protegido por un interruptor de circuito con pérdida a tierra (GFCI)\*. El instalador debe suministrar dicho interruptor GFCI, cuyo funcionamiento debe probarse en forma rutinaria. Para probar el GFCI, oprima el botón de prueba. El GFCI debe interrumpir el suministro eléctrico. Oprima el botón de restablecer (Reset). Esto debe restablecer el suministro eléctrico. Si el GFCI no funciona de esta manera, significa que está averiado. Si el GFCI interrumpe la alimentación eléctrica a la bañera de hidromasaje sin haber activado el botón de prueba, significa que existe corriente a tierra,

### **Instrucciones importantes de seguridad (cont.)**

indicando la posibilidad de una sacudida eléctrica. No utilice esta bañera de hidromasaje. Desconecte la bañera de hidromasaje, y antes de usarla, haga que un representante de servicio autorizado solucione el problema.

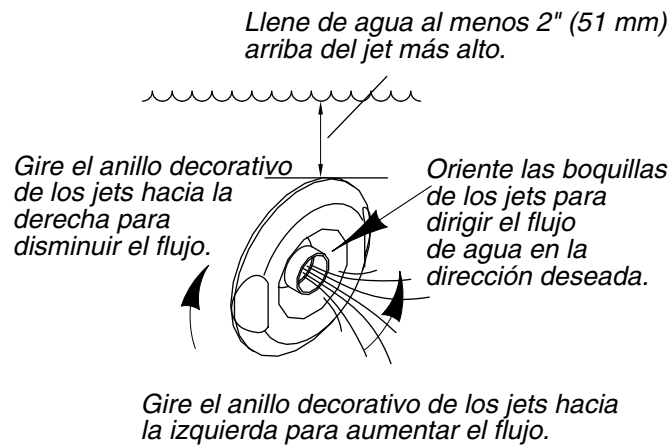
Limpie el sistema de hidromasaje dos o más veces al mes, de acuerdo al uso, tal como se describe en la sección "Haga circular agua para limpiar el sistema" de esta guía.

El uso constante de productos de higiene personal que contengan aceites puede dañar los componentes plásticos de la bañera de hidromasaje. Evite el uso de aceites de baño.

La acción del hidromasaje puede hacer que una pequeña cantidad de líquidos para hacer burbujas, champú, jabón o aceite de baño espume en exceso. Por esta razón, no utilice estos productos durante el funcionamiento de la bañera de hidromasaje.

Su nueva bañera de hidromasaje KOHLER está incluida en la lista de Underwriter's Laboratories, asegurando así su seguridad y la de su familia. Asimismo, esta bañera de hidromasaje cumple las estrictas normas del ANSI y de IAPMO establecidas dentro de la industria de plomería.

\*Fuera de Estados Unidos, es posible que este dispositivo se conozca como dispositivo de corriente residual (RCD, por sus siglas en inglés).



## Instrucciones de funcionamiento

**NOTA:** La temperatura del agua en la bañera de hidromasaje nunca debe exceder de 104°F (40°C).

- Cierre el desagüe, luego llene la bañera de hidromasaje por lo menos 2" (51 mm) arriba del jet más alto.
- Pruebe la temperatura del agua con la mano para su confort y seguridad, luego entre con cuidado a la bañera de hidromasaje.
- Oprima el interruptor de aire para encender la bomba.

**NOTA:** El calentador, si está equipado, se encenderá automáticamente.

- Ajuste los jets para obtener una mezcla óptima de aire/agua. Gire los anillos decorativos del jet hacia la derecha para reducir el flujo o hacia la izquierda para aumentarlo. Oriente las boquillas de los jets para dirigir el flujo de agua en la dirección deseada.
- Oprima el interruptor de aire por segunda vez para apagar la bomba.
- Salga con cuidado de la bañera de hidromasaje, luego abra el desagüe para vaciar el agua.

**NOTA:** Si la bañera de hidromasaje no funciona correctamente, consulte la sección "Procedimientos para resolver problemas".

## Cuidado y limpieza

Para obtener los mejores resultados, tenga presente lo siguiente al limpiar su producto KOHLER:

- Siempre pruebe la solución de limpieza en un área oculta antes de aplicarla a toda la superficie.
- Limpie con un paño las superficies, y enjuague completa e inmediatamente con agua después de haber aplicado el limpiador. Enjuague y seque las superficies cercanas que hayan recibido salpicaduras.
- No deje mucho tiempo los limpiadores en las superficies.
- Utilice una esponja humedecida o un paño suave y húmedo. Para limpiar las superficies nunca utilice materiales abrasivos, como cepillos o estropajos de taller.

Para obtener información detallada de limpieza y de productos a considerar, visite [www.kohler.com/clean](http://www.kohler.com/clean). Para solicitar información sobre el cuidado y la limpieza, llame al 1-800-456-4537.

## Haga circular agua para limpiar el sistema

**NOTA:** Limpie el sistema de hidromasaje dos o más veces al mes, de acuerdo al uso.

- Gire los anillos decorativos de los jets completamente hacia la derecha para reducir la inducción de aire.

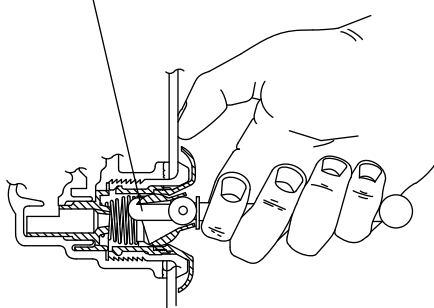
### **Haga circular agua para limpiar el sistema (cont.)**

- Llene la bañera de hidromasaje con agua caliente a un nivel por lo menos 2" (51 mm) arriba del jet más alto.
- Añada al agua 2 cucharaditas (10 ml) de detergente para lavaplatos automático que produzca poca espuma y 20 onzas (590 ml) de blanqueador para uso doméstico (5% a 6% hipoclorito de sodio).
- Haga funcionar la bañera de hidromasaje de 5 a 10 minutos. Apague la bañera de hidromasaje y vacíela.
- Si lo desea, enjuague las superficies de la bañera con agua.
- Enjuague las superficies de los jets, la grifería, las agarraderas y el desagüe y seque con un paño suave.

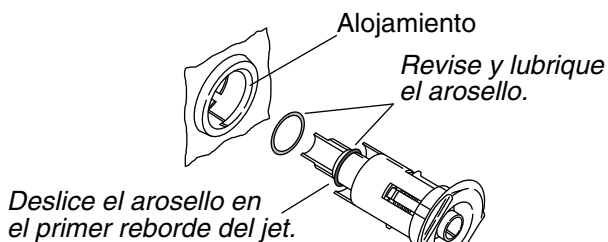


### Retire los jets

Inserte el gancho de la herramienta tal como se ilustra, y saque el jet del alojamiento. Al hacer esto, el jet debe estar orientado hacia arriba.



### Vuelva a instalar los jets



Inserte el jet en el alojamiento, y empuje y gire ligeramente hasta que encaje en su lugar.

## Procedimientos para resolver problemas

**AVISO:** El propósito de esta sección es solo ayuda general. Todos los problemas eléctricos deben ser resueltos por un representante de servicio autorizado de Kohler Co. o un electricista calificado. Para obtener el servicio de garantía, llame 1-800-4KOHLER desde los EE.UU. y Canadá, o al 001-800-456-4537 desde México.

Para consultar información sobre piezas de repuesto, visite la página de su producto en [www.kohler.com](http://www.kohler.com).

### Retire los jets

**NOTA:** Se ha incluido una herramienta especial junto a los jets de repuesto, para retirar los jets de la bañera de hidromasaje. Esta herramienta también se incluye con cada kit de guarnición.

- Coloque la boquilla esférica del jet de manera que apunte hacia arriba.
- Inserte la herramienta de extracción, con el gancho hacia arriba, en la abertura del jet y enganche la parte superior interior de la boquilla.
- Sostenga la herramienta con firmeza y coloque el dedo pulgar contra la pared de la bañera de hidromasaje. Tire de la herramienta de manera uniforme hasta que el ensamblaje de jets salga del orificio. Tenga cuidado de no perder el arosello (O-ring).

### Vuelva a instalar los jets

**NOTA:** Para permitir que el jet gire fácilmente y funcione correctamente, el arosello debe estar: (1) bien colocado, (2) lubricado y (3) en buenas condiciones.

- Instale el arosello en el **primer reborde** del jet.
- Utilice el paquete del tubo de silicona (provisto) para lubricar el arosello con el fin de evitar un funcionamiento ruidoso del jet.
- Inserte con cuidado el jet en el alojamiento, luego empuje levemente y gire el jet hasta que encaje en su lugar. **No fuerce el jet.**
- Verifique que el jet esté instalado correctamente. El jet debe girar sin problemas en ambos sentidos. Retire y vuelva a instalar, si es necesario.

## Procedimientos para resolver problemas (cont.)

Síntomas	Causas probables	Acción recomendada
1. La bañera de hidromasaje no se enciende o no se apaga.	<p>A. El motor no recibe alimentación eléctrica.</p> <p>B. La manguera de aire está suelta o desconectada.</p> <p>C. La manguera de aire está pellizcada o doblada.</p> <p>D. El ensamblaje del botón pulsador está dañado.</p> <p>E. El botón pulsador tiene grasa en el área de purga.</p> <p>F. La manguera de aire está dañada.</p> <p>G. El motor/la bomba no funciona.</p>	<p>A. Verifique que la bomba y que el calentador estén enchufados y que el interruptor GFCI o RCD esté en la posición correcta. Enchufe o restablezca (reset) el interruptor GFCI/RCD, según sea necesario.</p> <p>B. Verifique que la manguera esté conectada tanto al extremo de la bomba/el receptor como al interruptor de aire. Vuelva a conectar si es necesario.</p> <p>C. Ajuste la manguera para eliminar el área pellizcada/doblada. Si el tubo está pellizcado/doblado y no es posible ajustarlo, o bien no se ve la sección pellizcada/doblada, haga un orificio pequeño en el tubo con una tachuela y vuelva a probar el sistema.</p> <p>D. Cambie el ensamblaje del botón pulsador.</p> <p>E. Desensamble el ensamblaje del botón pulsador y limpie el exceso de grasa. Vuelva a ensamblar el ensamblaje del botón pulsador y vuelva a probar el sistema.</p> <p>F. Cambie la manguera de aire.</p> <p>G. Cambie el motor/la bomba.</p>
2. El motor arranca, pero no todos los jets funcionan.	<p>A. El jet está cerrado.</p> <p>B. El jet no está instalado correctamente.</p> <p>C. Los jets están tapados.</p>	<p>A. Gire el anillo decorativo del jet hacia la izquierda para abrirlo.</p> <p>B. Vuelva a instalar el jet; revise que el arosello no esté dañado.</p> <p>C. Elimine la obstrucción.</p>
3. La bomba no ceba.	<p>A. La bomba se ha acuñado demasiado alto.</p>	<p>A. Baje la ménsula de soporte de la bomba.</p>
4. Funcionamiento ruidoso.	<p>A. Las cintas flejadoras de la bomba no han sido cortadas. (Solo modelos con bloques de soporte).</p> <p>B. El arosello del jet está mal colocado.</p>	<p>A. Corte las cintas flejadoras con tijeras para chapa.</p> <p>B. Retire el jet, cambie y lubrique el arosello, y vuelva a instalar el jet.</p>
5. El calentador no funciona. (Solo modelos "H")	<p>A. El calentador no recibe alimentación eléctrica.</p> <p>B. La temperatura del agua excede 104°F (40°C).</p> <p>C. El calentador no funciona.</p>	<p>A. Restablezca el GFCI o RCD.</p> <p>B. Deje enfriar el agua y el calentador se reactivará.</p> <p>C. Cambie el calentador.</p>

## Garantía

### GARANTÍA LIMITADA DE UN AÑO

Se garantizan los productos de plomería KOHLER contra defectos de material y mano de obra durante un año a partir de la fecha de instalación.

Kohler Co., a su criterio, reparará, reemplazará o realizará los ajustes pertinentes en los casos en que la

## Garantía (cont.)

inspección realizada por Kohler Co. determine que dichos defectos hayan ocurrido durante el uso normal en el transcurso de un (1) año a partir de la fecha de instalación. Kohler Co. no se hace responsable de costos de desinstalación o de instalación. **El uso de limpiadores de inodoro que se colocan dentro del tanque anula la garantía.**

Para obtener el servicio de garantía, comuníquese con Kohler Co. a través de su distribuidor, contratista de plomería, centro de remodelación o distribuidor por Internet, o escriba a Kohler Co., Atención: Customer Care Center, 444 Highland Drive, Kohler, WI 53044, EE.UU., o llame al 1-800-4-KOHLER (1-800-456-4537) desde los EE.UU. y Canadá, o al 001-800-456-4537 desde México, o visite [www.kohler.com](http://www.kohler.com) desde los EE.UU., [www.ca.kohler.com](http://www.ca.kohler.com) desde Canadá, o [www.mx.kohler.com](http://www.mx.kohler.com) en México.

**TODA GARANTÍA IMPLÍCITA, INCLUIDA LA DE COMERCIALIZACIÓN E IDONEIDAD DEL PRODUCTO PARA UN USO DETERMINADO, SE LIMITA EXPRESAMENTE A LA DURACIÓN DE ESTA GARANTÍA. KOHLER CO. Y/O EL VENDEDOR DESCARGAN TODA RESPONSABILIDAD POR CONCEPTO DE DAÑOS PARTICULARES, INCIDENTALES O INDIRECTOS.** Algunos estados/provincias no permiten limitaciones en cuanto a la duración de una garantía implícita o a la exclusión o limitación de daños particulares, incidentales o indirectos, por lo que es posible que estas limitaciones y exclusiones no se apliquen a su caso. Esta garantía le otorga ciertos derechos legales específicos. Además, usted también puede tener otros derechos que varían de estado a estado y de provincia a provincia.

**Esta es la garantía exclusiva por escrito de Kohler Co.**

## Garantía

### Para México

KOHLER CO.

Se recomienda que al momento de la compra, se verifique que todos los accesorios y componentes estén completos en esta caja.

Se garantiza este producto Kohler contra defectos en material y mano de obra durante un (1) año a partir de la fecha de compra que aparezca en la factura o en el recibo.

1. Kohler Co. prestará servicio únicamente a los productos comercializados a través de sus distribuidores autorizados.
2. Para obtener el servicio de garantía, favor de presentar la factura de compra y la garantía correspondiente.
3. Kohler Co., a través de sus distribuidores autorizados, se compromete a reparar el producto defectuoso o, cuando la reparación no sea posible, reemplazarlo por uno nuevo o por un modelo equivalente (en caso de que el producto haya sido discontinuado) sin ningún cargo al consumidor.
4. El tiempo de reparación no excederá seis (6) semanas a partir de la fecha de recepción del producto.
5. Se recomienda al consumidor que conserve el recibo o la factura de compra como protección adicional, pues el mismo puede sustituir a la garantía en caso de que exista discrepancia en cuanto a la validez de la misma.

### EXCEPCIONES Y RESTRICCIONES

La garantía no tendrá validez en los siguientes casos:

1. Cuando el producto no se utilice conforme a las instrucciones de uso y funcionamiento que se incluyen en el manual del usuario o en las instrucciones de instalación, y cuando no observen las recomendaciones y las advertencias provistas.
2. Cuando el producto se haya modificado o desmantelado parcial o totalmente, o manipulado de manera negligente y, como consecuencia, haya sufrido daños atribuibles al consumidor, a personas o a herrajes no autorizados por Kohler Co.
3. Esta garantía no cubre los daños que resulten de desastres naturales, tales como incendios o casos de fuerza mayor, como inundaciones, terremotos, tormentas eléctricas, etc. Para obtener una lista de

**Garantía (cont.)**

distribuidores cerca de usted y así hacer valer sus derechos bajo esta garantía, llame al 001-800-456-4537.  
KOHLER CO., KOHLER, WI 53044 U.S.A.

**IMPORTADOR:**

COMERCIALIZADORA INTERCERAMIC, S.A. DE C.V.  
AV. CARLOS PACHECO NO. 7200, COL. MADERA 65  
CHIHUAHUA, CHIH., MÉXICO C.P. 31060  
R.F.C. CIN141022IE9  
TEL: 52 (614) 429-11-11

**IMPORTADOR:**

GAMA MATERIALES Y ACEROS, S.A. DE C.V.  
AVE. LOS ÁNGELES NO. 1800  
COL. VALLE DEL NOGALAR, SAN NICOLÁS DE LOS GARZA  
N.L. MÉXICO  
R.F.C. GMA901220U11  
TEL: 81-1160-5500







USA/Canada: 1-800-4KOHLER

México: 001-800-456-4537

[kohler.com](http://kohler.com)

THE BOLD LOOK  
OF **KOHLER**®

©2016 Kohler Co.

1193347-2-B