

E37333



Collection: STRAYT

Finish*:



CP - Chrome

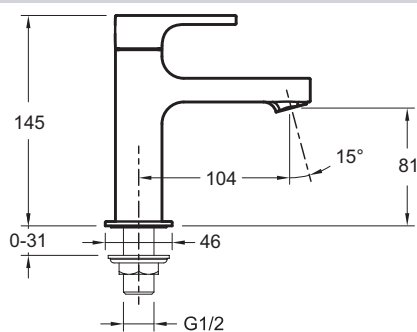
Main features:



Features

- **WEIGHT:** 1 kg
- **INSTALLATION TYPE:** 1 hole
- **FLOW RATE:** 5 l/min
- **WASTE :** Without waste
- **Cold water only**
- **MATERIAL:** Metal
- **NORMS AND REGULATION:** ACS : 15 ACC LY 081
- **MECHANISM:** Ceramic disc valve
- **No drain**
- **Anti-scale aerator**

Technical drawing



Product Specification: Pillar tap for handwash basin (cold water). E37333. Collection: STRAYT. WEIGHT: 1 kg. MATERIAL: Metal. INSTALLATION TYPE: 1 hole. NORMS AND REGULATION: ACS : 15 ACC LY 081. FLOW RATE: 5 l/min. MECHANISM: Ceramic disc valve. WASTE : Without waste. No drain. Cold water only. Anti-scale aerator.