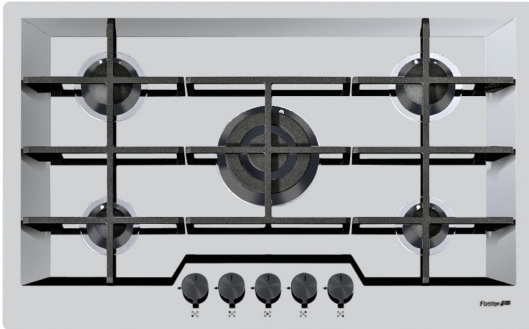


## Cooker hob KE Black 7600 666

Cooker hobs

Code: 7600 666



### DETAILS

Finish Foster brushed

---

Material AISI 304 stainless steel

---

Texture Satin

---

Supply 220-240 V; 50.60 Hz

---

Edge/Installation Type Flush-mount | Top-mount

---

Dimensions 803x513 mm

---

Base size 80cm

---

Heating element Five burners

---

Built-in hole [View technical data sheet \(for all Flush-mount / Top-mount models and Under-mount models\)](#)

---

Grids Cast iron grills, Gun metal burners and enamelled burner covers

---

Total power 9.500 W

---

Auxiliary 2x1.100 W

---

Semirapid 2x1.750 W

---

Triple crown 3.800 W

---

Safety Safety valve with quick-acting thermocouple

---

Ignition Electric ignition under knob

---

Gas type Tested for installation with natural gas, LPG nozzle set included.

---

Type Gas Hob

---

## FEATURES

**Cast iron grids** Cast-iron is the ideal material for an hob grid, this due to the manifold properties characterising it: high heat capacity that improves cooking performance; high weight and stability that improve safety; sturdiness that preserves the hob's original aspect over time; easy cleaning.

---

**III series burners** III ^ series burners: 20% gas savings. They guarantee an efficiency well above the European standards. Furthermore, the improved combustion of gas allows the development of higher powers. From the point of view of safety, the blocking system between the cover and the flame-spreader guarantees perfect positioning and greater ease of cleaning.

---

**Inclined recess** A deep and inclined recess houses the burners and grigs, allowing to create a single work surface. The inclination also makes it extremely easy to clean the edges.

---

## Safe cooking

All Foster cooker hobs are equipped with safety valves. They shut off the gas supply very quickly if the flame accidentally goes out.

---

## Special burners

Many Foster hobs are equipped with special burners, with two or three rings of fire that greatly increase the power delivered and the heated surface. In the DUAL models the two fire crowns also have independent ignition, making these burners perfect for both intensive and delicate cooking.

---

## Ultra-flat hob

Design meets functionality in the the ultra-flat models. Elegant grids that form a generously sized overall surface.

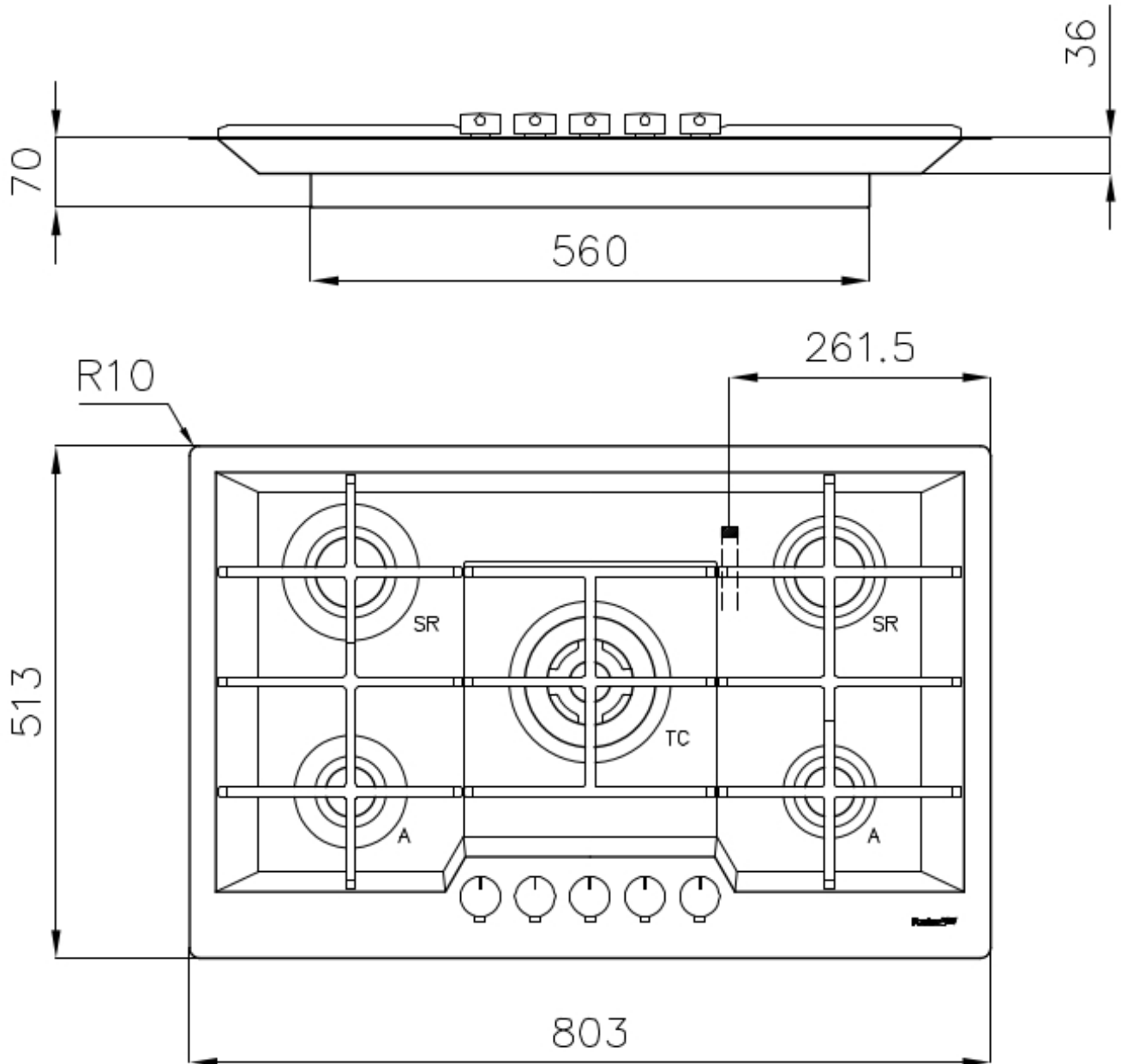
---

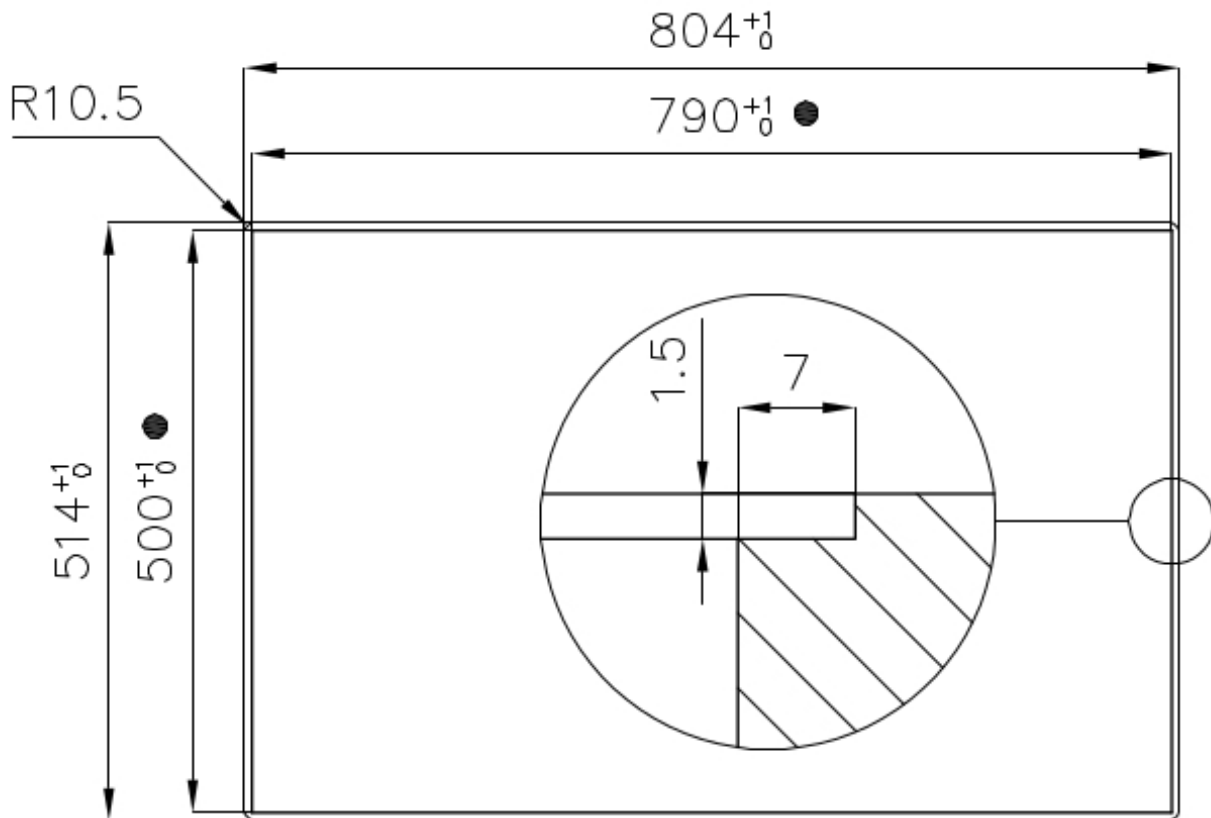
## Under-knob ignition

The utmost freedom of movement with electronic under-knob ignition, a common feature of all models that allows a one-hand ignition of the burner.

---

## TECHNICAL DATA





- Built-in cut out for FTS – Foratura per installazione FTS

## GALLERY



## OPTIONAL ACCESSORIES



Cast iron wok support 9601 727

## RECOMMENDED PAIRINGS



Hood Amélie 2447 090



Sink bowl KE Filotop 2157 050