

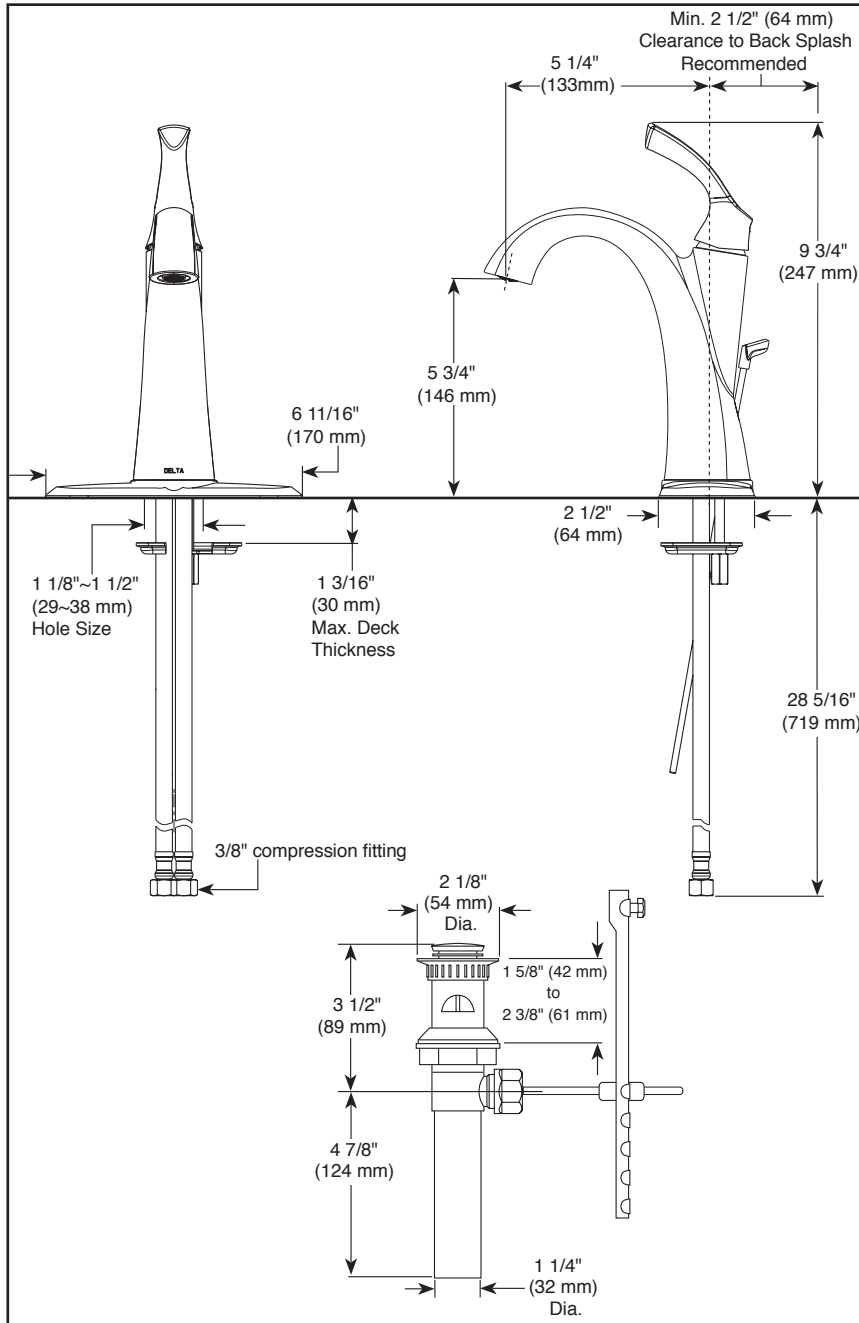
see what Delta can do™

BATHROOM FAUCET

- Sandover™ Collection
- Single Handle Deck Mount

Submitted Model No.: _____

Specific Features: _____



STANDARD SPECIFICATIONS:


- Maximum flow rate 1.2 gpm @ 60 psi, 4.5 L/min @ 414 kPa.
- Solid brass cast body.
- One or three hole mount (escutcheon optional, included).
- Polymer braided flexible supply hose with 3/8" compression fitting - 28 5/16" (719 mm) long.
- Control mechanism is replaceable cartridge with ceramic plates.
- Models have drain with pop-up type fitting with plated flange and stopper.
- Models include worry-free drain catch for an extra step of protection in preventing valuables from entering the drain.

WARRANTY

- Lifetime limited warranty on parts (other than electronic parts and batteries) and finishes; or, for commercial users, for 5 years from the date of purchase.
- 5 year limited warranty on electronic parts (other than batteries); or for commercial users, for 1 year from the date of purchase. No warranty is provided on batteries.



COMPLIES WITH:

- ASME A112.18.1 / CSA B125.1
- ASME A112.18.2 / CSA B125.2
-  Indicates compliance to ICC / ANSI A117.1
- EPA WaterSense®

▲ Designate proper finish suffix

Delta reserves the right (1) to make changes in specifications and materials, and (2) to change or discontinue models, both without notice or obligation. Dimensions are for reference only. See current full-line price book or www.deltafaucet.com for finish options and product availability.

DSP-L-15748LF Rev. C

Delta Faucet Company

55 E. 111th Street, Indianapolis, Indiana 46280
 350 South Edgeware Road, St. Thomas, Ontario Canada N5P 4L1
 © 2018 Delta Faucet Company