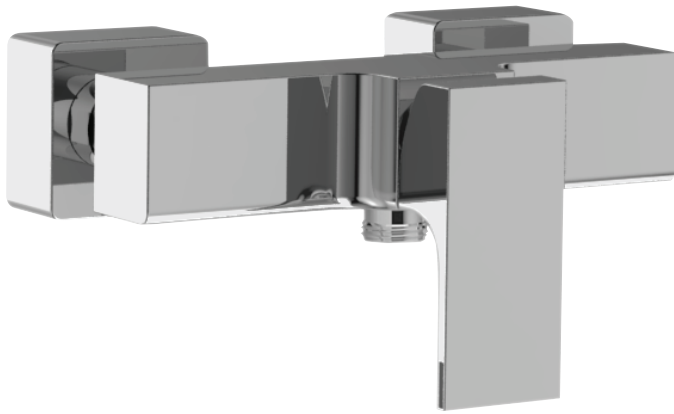


E45371



Collection: STRAYT

Finish\*:

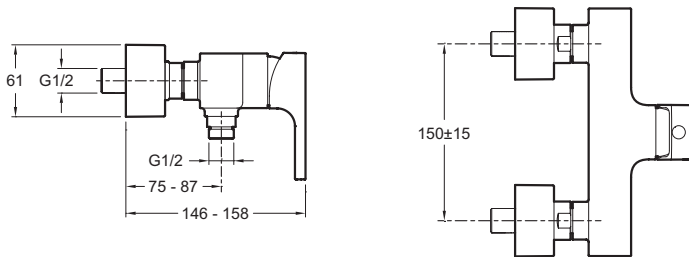


CP - Chrome

## Features

- WEIGHT: 3.7 kg
- INSTALLATION TYPE: 2 holes
- CONNECTION: With connectors and wall escutcheons
- MECHANISM GUARANTEE: 5 years
- Connectors with wall escutcheons
- MATERIAL: Metal
- TYPE: Single-lever
- MECHANISM: Ceramix disc cartridge
- Water saving feature
- Non-return valve on shower outlet

## Technical drawing



Product Specification: Single-lever wall shower mixer. E45371. Collection: STRAYT. WEIGHT: 3.7 kg. MATERIAL: Metal. INSTALLATION TYPE: 2 holes. TYPE: Single-lever. CONNECTION: With connectors and wall escutcheons. MECHANISM: Ceramix disc cartridge. MECHANISM GUARANTEE: 5 years. Water saving feature. Connectors with wall escutcheons. Non-return valve on shower outlet.