

Sink KE Vintage - 2269 080

Sinks

Code: 2269 080



DETAILS

Material	AISI 304 stainless steel
Texture	Vintage
Base	80 cm
Edge/Installation Type	Flush-mount Top-mount
Dimensions	770x520 mm
Standard fittings	Fixing hooks, gasket, drain, overflow and siphon, boxed packing
Mixer holes	2 standard holes - 3rd hole on request
Built-in hole	View technical data sheet (for all Flush-mount / Top-mount models and Under-mount models)
Drainer	No

Width 77 cm

Bowl dimension 340x400mm

Number of bowls 2 bowls

Waste fitting Drain with automatic PM control

FEATURES

VINTAGE The Vintage finish gives the product a long-lived and elegant look, creating a surface that does not fear scratches.

Automatic waste fitting The waste-fitting with round remote knob is supplied; a practical accessory which makes it unnecessary to get wet in order to drain the water from the bowl.

Basket 3,5" waste fitting The drain is equipped with a large 3.5" drain, with the practical basket cap that prevents the discharge of solid parts. The 3.5 "drain allows the use of the Foster waste-disposer, compatible with all models.

Deep bowls This bowls reach an important depth, over 20 cm, thanks to the advanced production technology, that can be offer great capiciency and practicity in all the washing operations.

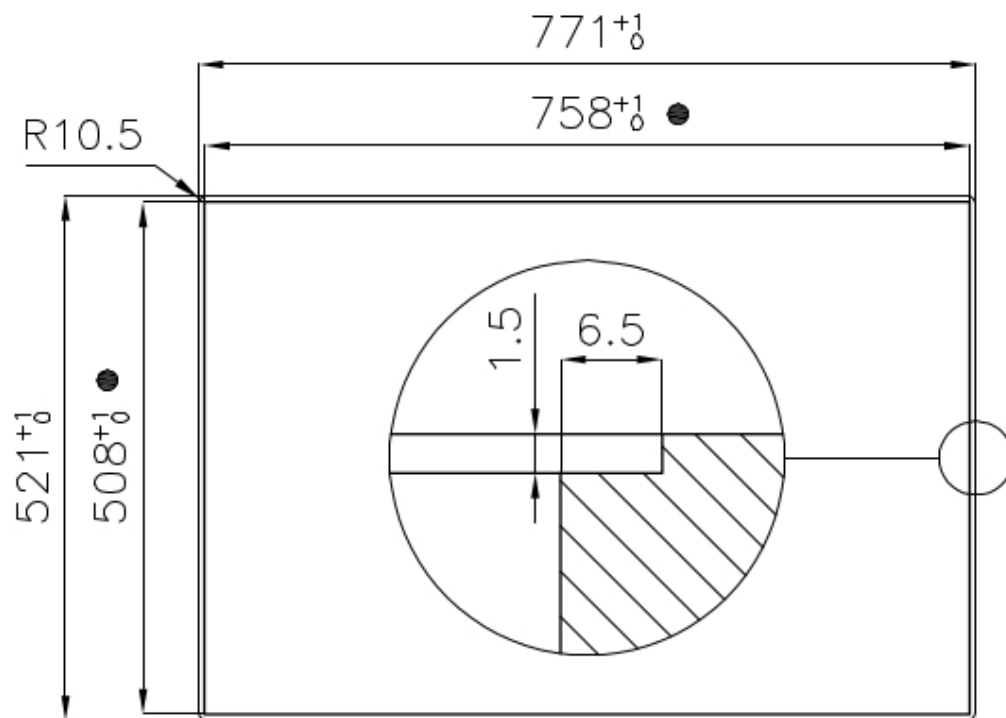
Double mixer hole The large tap counter is already fitted with a series of 2 tap holes. In the second hole it is possible to install the remote control of the automatic drain or, alternatively, a practical soap dispenser.

High thickness 1mm thick steel. A significant thickness, which guarantees the maximum sturdiness and durability.

Perimetral overflow The overflow is always a security on the Foster sinks that prevents the overflow of water in case of oversights. The perimeter drain solution improves aesthetics thanks to its square and essential shape.

Small radius Bowls with squared shapes with a modern design and an increased capacity, for a minimal aesthetics connected with an extreme practicity.

Cut out size
Dimensioni per foratura top



- Built-in cut out for FTS – Foratura per installazione FTS

GALLERY



EQUIPMENT



Automatic waste fitting 8407 113

OPTIONAL ACCESSORIES



HPDE Chopping board 8657 001



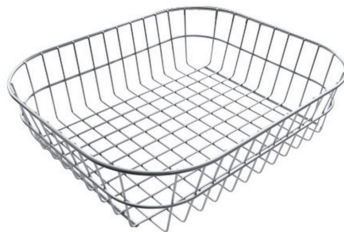
HPDE Twin chopping board 8644 101



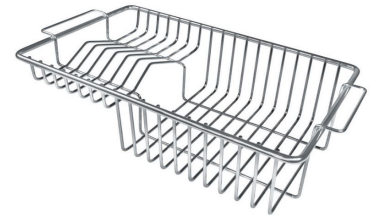
Iroko-wood chopping board with stainless steel colander 8644 042



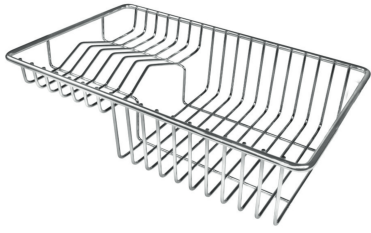
Iroko-wood sliding chopping board 8644 041



Stainless steel basket 8611 000



Stainless steel plate rack 8100 201



Stainless steel plate rack 8100 303



White bowl 8153 100



Graters kit with ring-holder and food collection tray 8159 101



Stainless steel perforated tray
8151 000

WARNING:

The accessories 8159101, 8100303,8151000 are only usable in combination with 8644101

RECOMMENDED PAIRINGS



Mixer Tap Bert 8428 100



Mixer Tap KE 8492 000