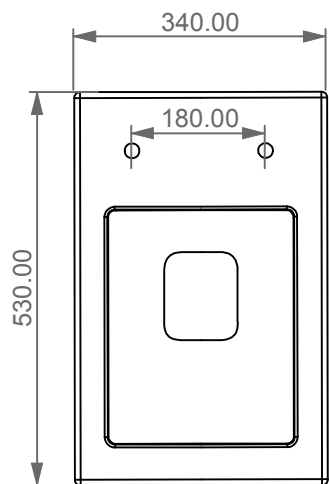


GSG
CERAMIC DESIGN

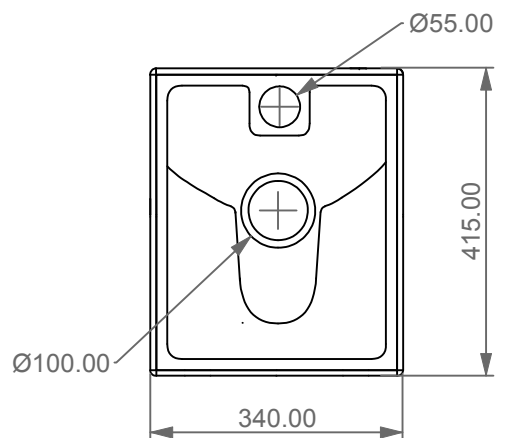
Vaso a terra Box con scarico a parete
convertibile a pavimento con curva tecnica
Box wc back to wall, wall drain suitable
for floor drain with technical elbow

Con connessione eccentrica per scarico a suolo.
With outlying drainage connector for floor trap.

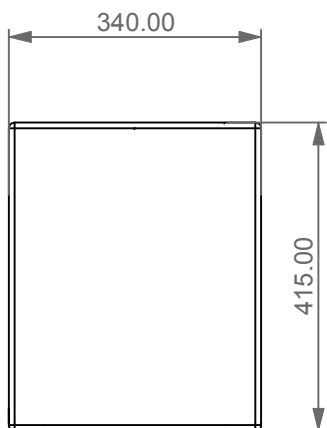
SECTION



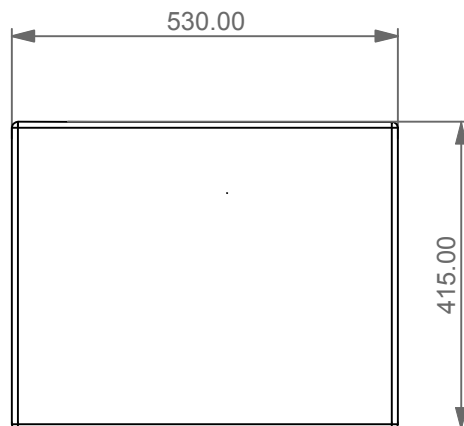
TOP



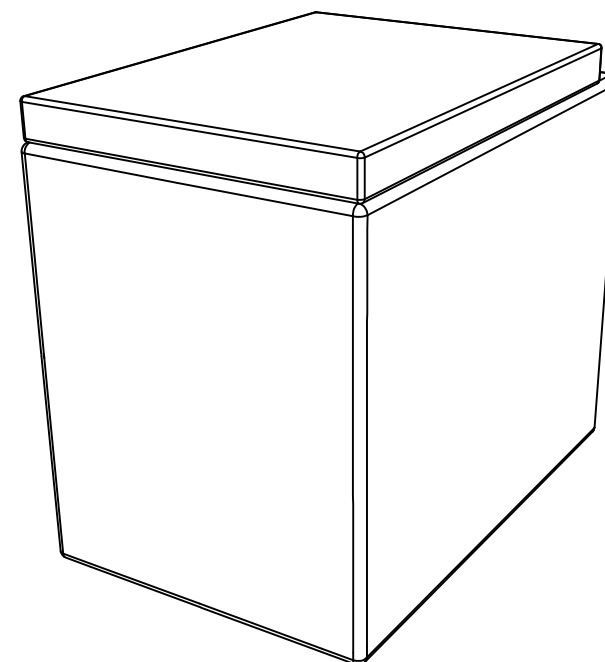
REAR



FRONT



LEFT



Designation
Vaso a terra Box con scarico a parete
convertibile a pavimento con curva tecnica
Box wc back to wall, wall drain suitable
for floor drain with technical elbow

Scale
1:10

cod. BXWC01

GSG
CERAMIC DESIGN

This drawing including the respected data may neither be duplicated nor modified nor altered without the consent of GSG Ceramic Design. The use of the data/technical drawings take place at users own risk and under exclusion of any liability of GSG Ceramic Design. The dimensions are not binding; products are subject to changes. Measurement shown may be subjected to small variations or are indicative.

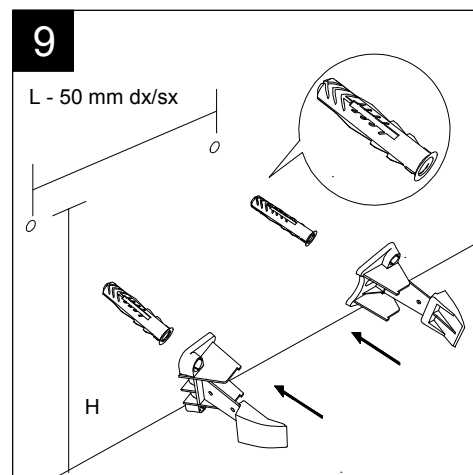
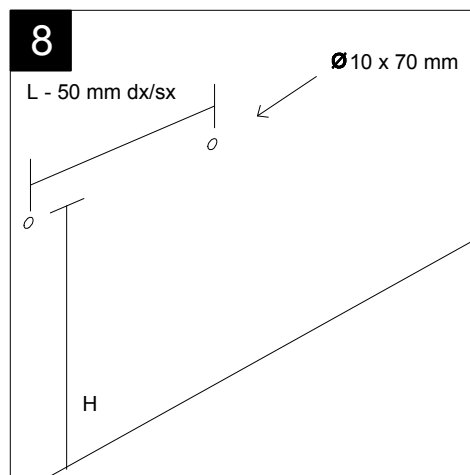
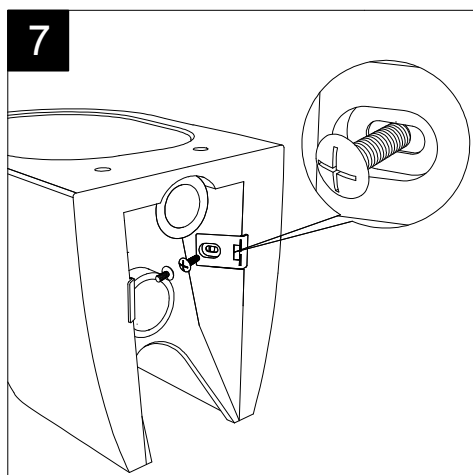
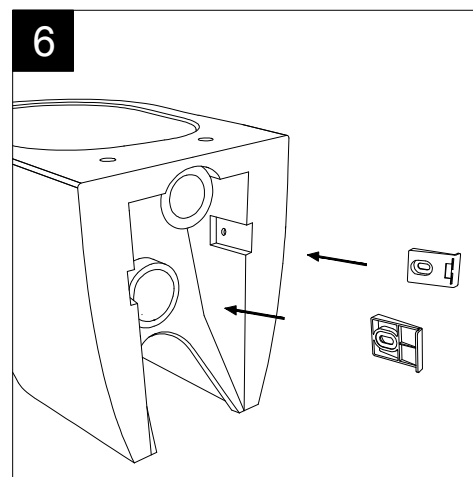
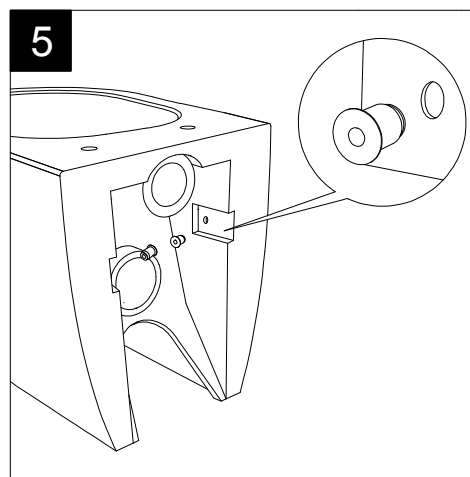
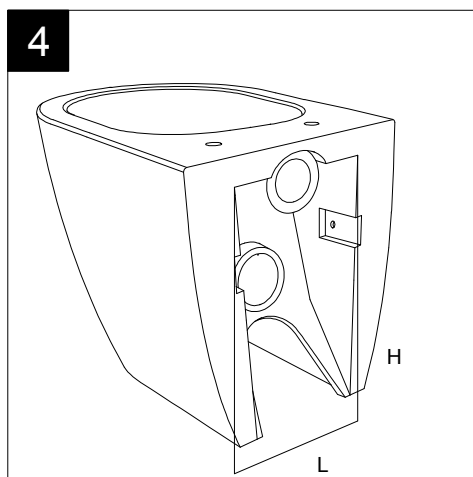
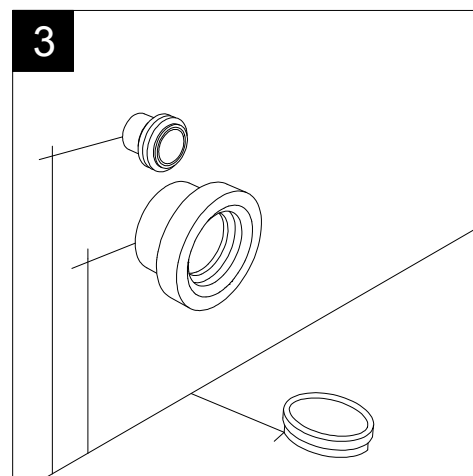
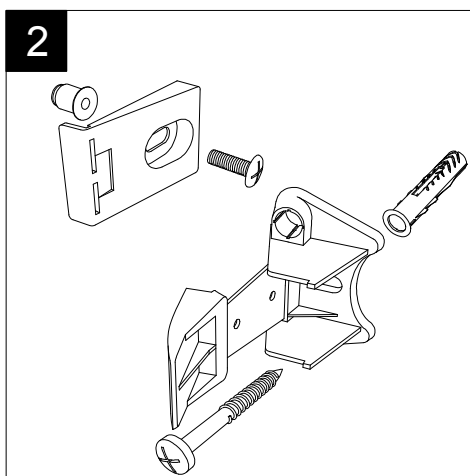
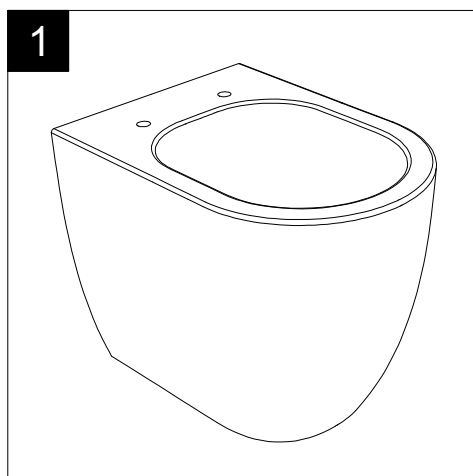
Guida all'installazione dei vasi a pavimento con kit di fissaggio a parete nascosto (cod. ACS51)

Serie: LIKE - BRIO - TOUCH - FLUT - SPEED

Installation guide for floor standing wc's with wall hidden fixing kit (cod. ACS51)

Serie: LIKE - BRIO - TOUCH - FLUT - SPEED

①



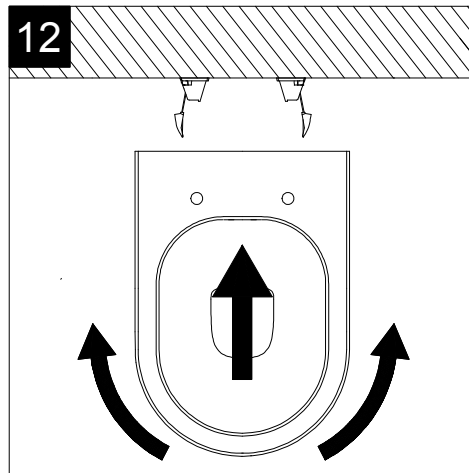
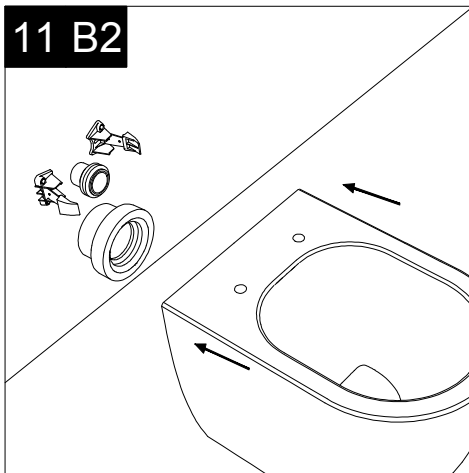
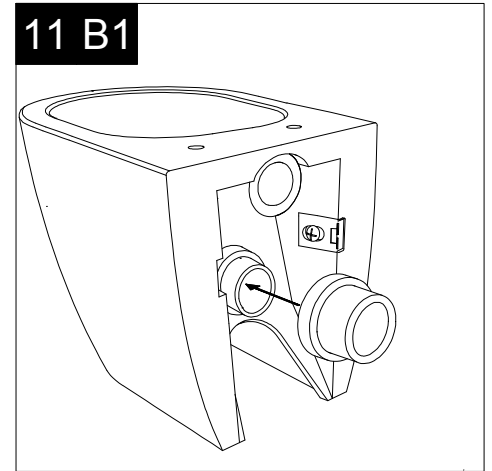
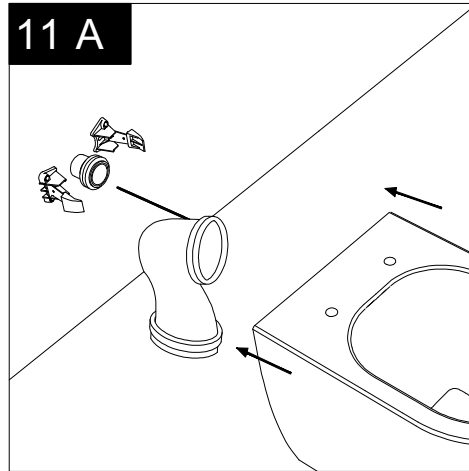
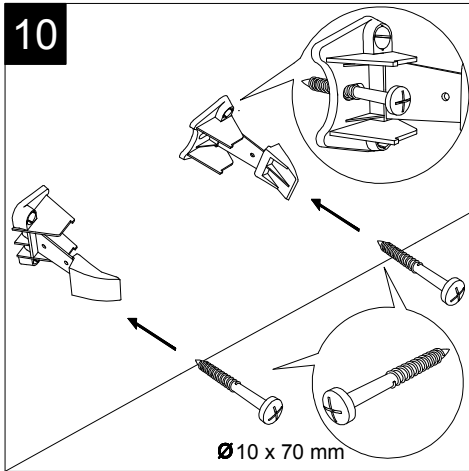
Guida all'installazione dei vasi a pavimento con kit di fissaggio a parete nascosto (cod. ACS51)

Serie: LIKE - BRIO - TOUCH - FLUT - SPEED

Installation guide for floor standing wc's with wall hidden fixing kit (cod. ACS51)

Serie: LIKE - BRIO - TOUCH - FLUT - SPEED

②



4