

Features

- Adjustable oversized sprayface.
- MasterClean™ sprayface resists hard water buildup and is easy to clean.
- Complements Purist® faucet line.
- Ergonomic sprayhead pivots.
- 1.75 gpm (6.6 lpm) maximum flow rate.
- Wide Coverage, medium coverage, forceful utility spray, and water-saving spray option.
- Water-saving spray meets ADA requirement for non-positive shutoff.

Recommended Replacements

- This product is replaced by 22166-G.

Recommended Products/Accessories

K-23723 Faucet cleaner

Optional Products/Accessories

K-8593 72" Shower Hose
K-9514 60" Shower Hose
K-45981 72" ribbon hose
K-45982 60" ribbon hose



ADA **CSA B651** **OBC**

Codes/Standards



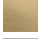

ASME A112.18.1/CSA B125.1
All applicable US Federal and State material regulations
DOE - Energy Policy Act 1992
EPA WaterSense®
California Energy Commission (CEC)
ADA
ICC/ANSI A117.1
CSA B651
OBC

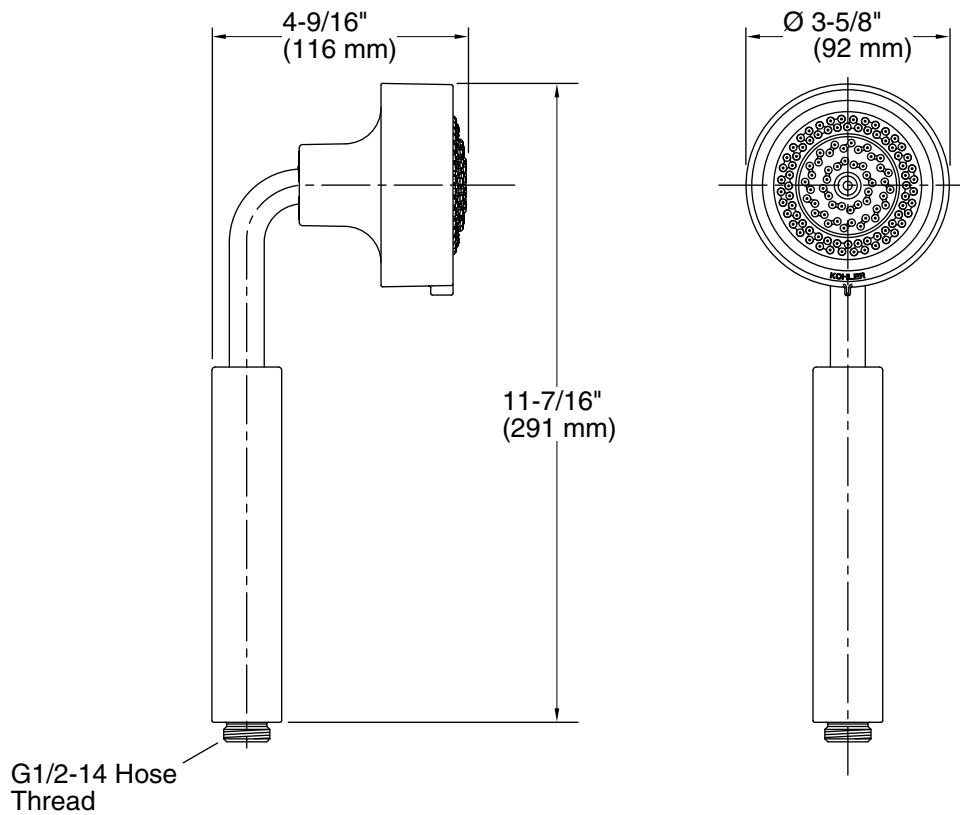
KOHLER® Faucet Lifetime Limited Warranty

See website for detailed warranty information.

Available Colors/Finishes

Color tiles intended for reference only.

| Color | Code | Description |
|--|------|--------------------------------|
|  | CP | Polished Chrome |
|  | PGD | Vibrant® Moderne Polished Gold |
|  | BGD | Vibrant® Moderne Brushed Gold |
|  | BN | Vibrant® Brushed Nickel |



Technical Information

All product dimensions are nominal.

Drain included: No

Handshower:

Rated maximum flow: 1.75 gal/min (6.6 l/min)

Notes

Install this product according to the installation guide.

Plumbing codes require approved backflow prevention devices to be installed in-line to handshowers. Please consult with local plumbing officials.

ADA, OBC, CSA B651 compliant when installed to the specific requirements of these regulations.