

Rangetop for wash GK 3163 000

Rangetop and Top inox

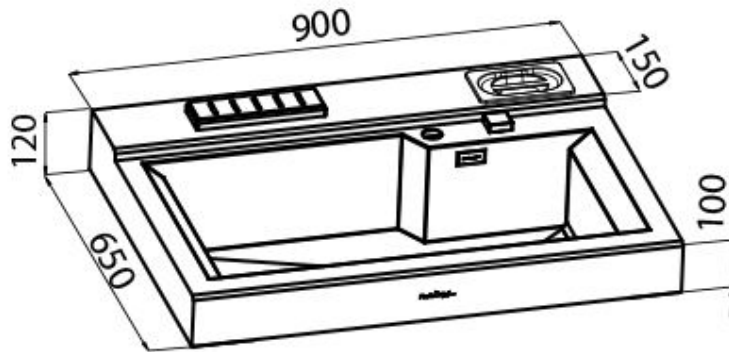
Code: 3163 000



DETAILS

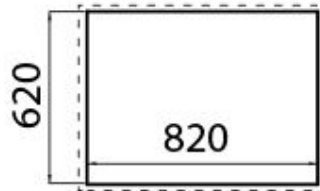
Material	AISI 304 stainless steel
Texture	Satin
Dimensions	900x650 mm
Standard fittings	Fixing hooks, gasket, drain, overflow and siphon, boxed packing
Mixer holes	2 standard holes
Built-in hole	View technical data sheet (for all Flush-mount / Top-mount models and Under-mount models)
Bowl dimension	730x400 mm
Waste fitting	Drain with automatic control SPACE
Type	Induction Hob

TECHNICAL DATA



Incasso

①



②



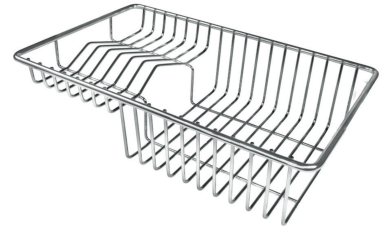
OPTIONAL ACCESSORIES



HPDE twin chopping board 8644
100



Iroko-wood sliding chopping
board 8656 001



Stainless steel plate rack 8100 303