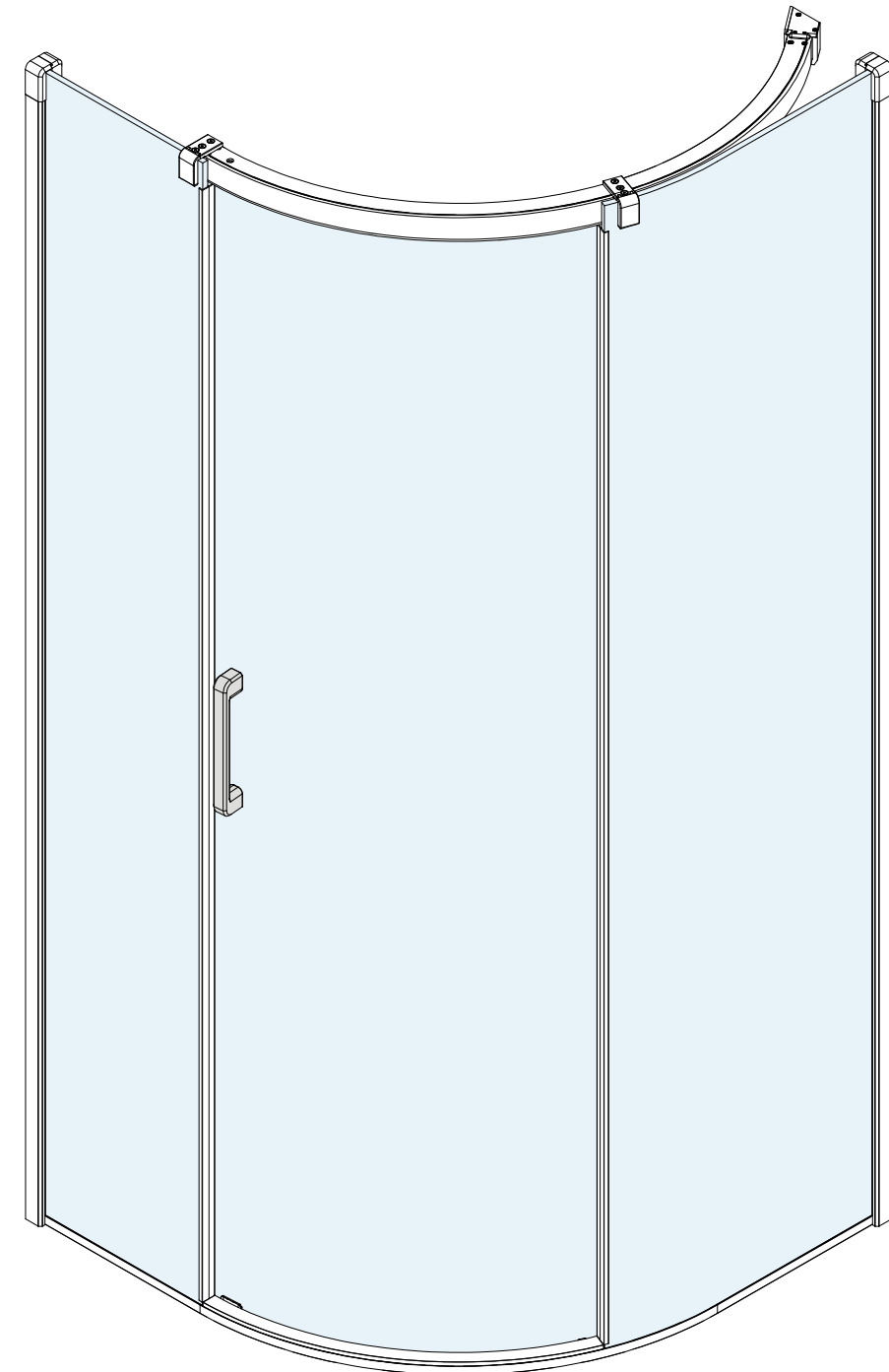


www.merlynshowering.com

QUADRANT DOOR



INSTALLATION GUIDE

MERLYN

Merlyn Showering
Unit 8, Purcellsinch Industrial Park,
Dublin Road, Kilkenny, Ireland.
Tel: 00353 56 779 1555
Fax: 00353 56 779 1576
www.merlynshowering.com

To download the Declaration of Performance (DOP) for this product please use the link below.
<https://merlynshowering.com/aftersales-support/dop-certs/>

IMPORTANT: Please read the complete instructions before commencing fitting.

- Make sure the tray is 100% level in all directions.
- Check that you have the tools required.
- Check the installation site is compatible with the sizes of door supplied.
- Check all the enclosure components are present.
- Check the installation kit is complete.
- Do Not attempt to install the product unless you can tick all 4 boxes.
- The wall plugs supplied with the installation kit are for use in solid walls. Hollow or 'stud partition' walls will require alternative fixings. Please consult a hardware supplier for the correct type.
- It may also be necessary to consult your tiling supplier about the correct method for drilling your tiles.

ATTENTION: TAKE EXTREME CARE WHEN HANDLING GLASS, WEAR PROTECTIVE EYEWEAR AND CLOTHING. DO NOT LEAVE THE GLASS ON HARD SURFACES AND AVOID CONTACT BETWEEN THE GLASS EDGES AND HARD SURFACES OR IMPACTS DURING THE INSTALLATION.

Fixing kit components

SP0GMS0781/84 SP0GMS0762 SP0GMS0793 SP0GMS0753

Note: Only one of each supplied as product is handed left or right.

Handle SP0GMS0745 SP0GMS0742 SP0GMS0769 SP0GMS0768

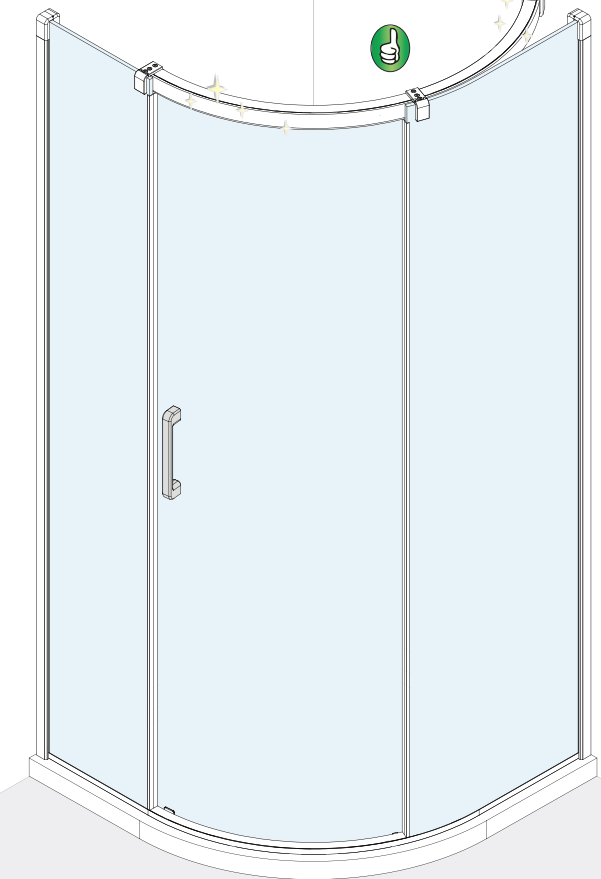
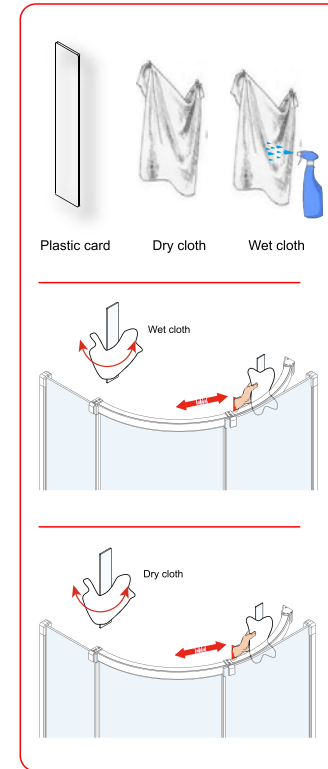
SP0GMS0847 SP0GMS0848 SP0GMS0849 SP0GMS0879 A03S0090

SP0GMS0850 SP0GMS0851 SP0GMS0852 SP0GMS0875

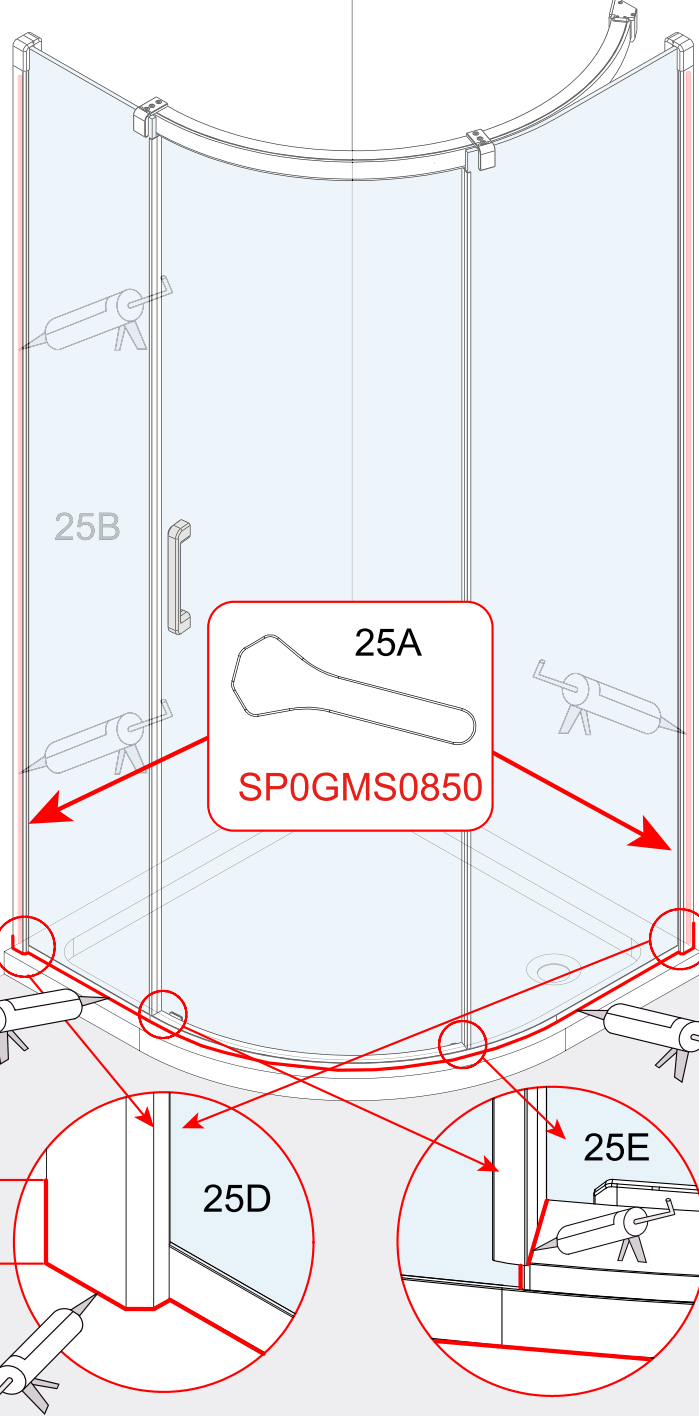
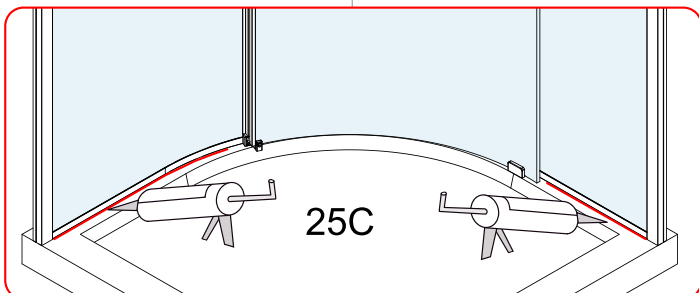
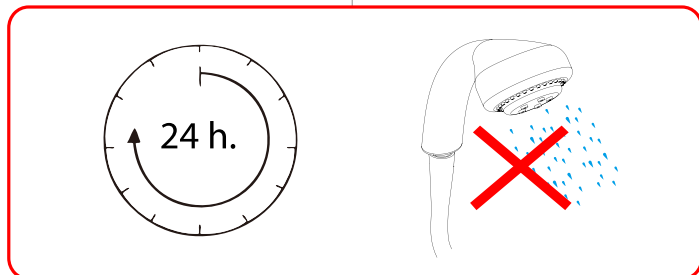
Tools required

PH2 Ø8 Ø6

Care And Maintenance Guide



For cleaning the area between the top rail and the fixed glass panel use the micro fibre cloths and card provided. Using a mild detergent dampen one of the cloths and wrap it around the plastic card provided and push between the rail and the glass. Slide the cloth over and back until clean and repeat the process with the dry cloth to shine rail and glass.



Before sealing make sure all surfaces are clean, dry and free from any residue such as grout.

Use quality silicone sealant and applicator gun to finish the door.

NOTE:
25A During fitting the bottom of the wall profile may have moved away from the wall. Using plastic tool SP0GMS0850 tap the profile tight to the wall.

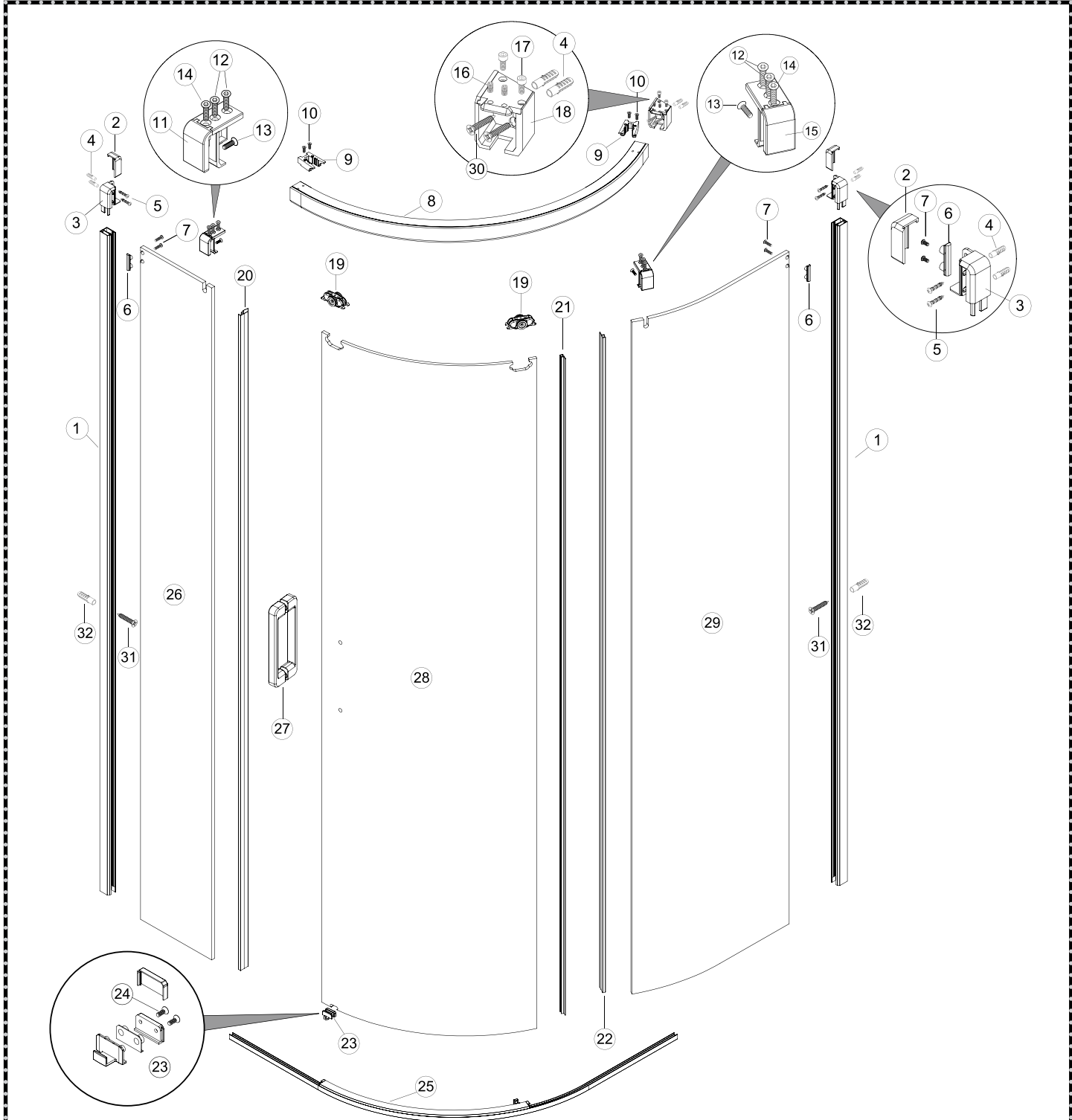
INSIDE
25B On the inside seal top to bottom between the wall profile and the wall.

25C Seal between the profile and the tray. Seal only the area around both fixed panel and not under the moving panel.

OUTSIDE
25D Seal along the bottom between the threshold and the tray. Seal 50mm vertically between the wall and the wall profile.

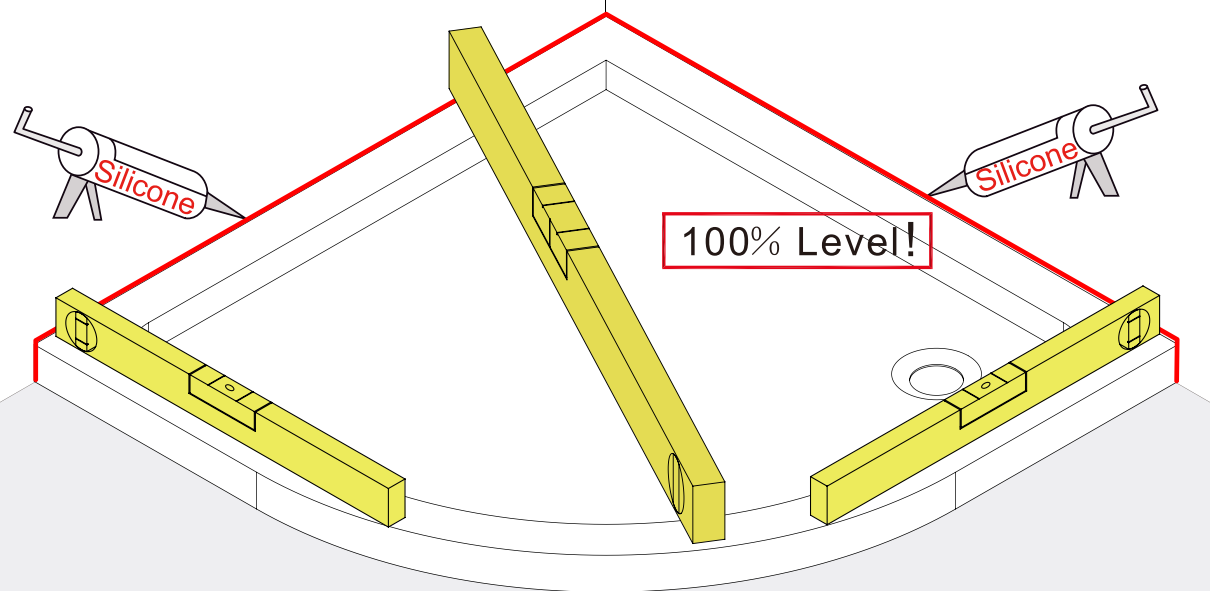
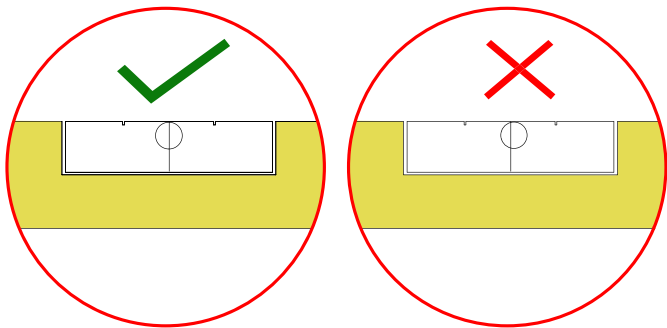
25E Seal between the bottom of the fixed panel seal and the cover strip.

Do not use the enclosure for 24 hours.

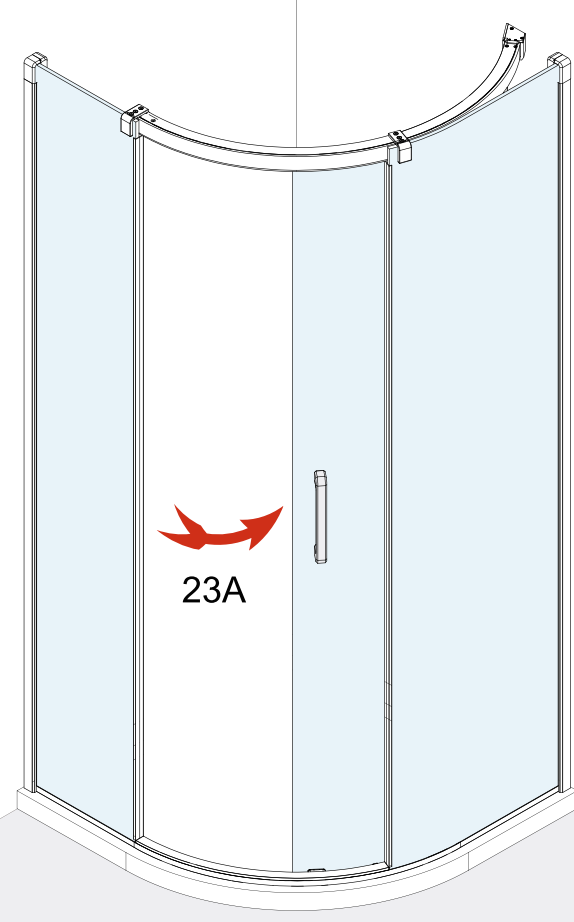
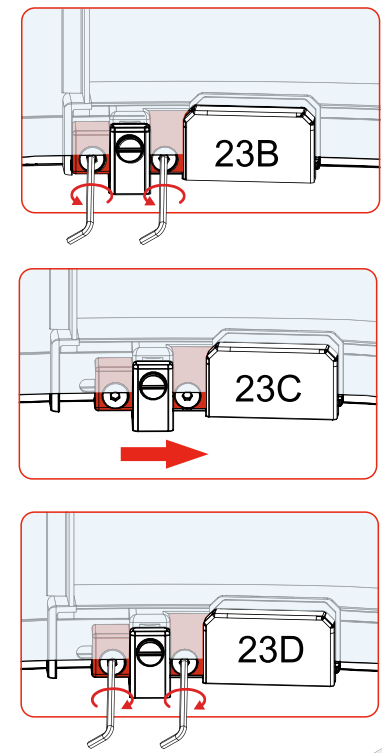


No.	QTY	descriptions	Part number	No.	QTY	descriptions	Part number	No.	QTY	descriptions	Part number
1	2	Wall profile	SP0GMS0680	13	2	M5x12 screw	SP0GMS0846	25	1	Threshold	B
2	2	side panel wall bracket cover cap cover	SP0GMS0770	14	2	M5x14 screw	SP0GMS0738	26	1	Fixed panel	C
3	2	side panel wall bracket	SP0GMS0762	15	2	Quad fixed panel bracket	SP0GMS0742	27	1	Handle	D
4	6	8mm Wall plug	SP0GMS0849	16	2	M6x6 grub screw	SP0GMS0718	28	1	Moving panel	E
5	4	M5x40 Pan head screw	SP0GMS0848	17	2	Bracket fixing screws M4x10	SP0GMS0719	29	1	Curved fixed panel	F
6	2	Side panel clamp	SP0GMS0768	18	1	Quad rail wall bracket	SP0GMS0781/84	30	2	M5x40 screw	SP0GMS0847
7	4	M4x12 screw	SP0GMS0769	19	2	Roller	SP0GMS0874	31	2	M4x30 screw	SP0GMS0879
8	1	Top rail	A	20	1	fixed panel upright seal	SP0GMS0880	32	2	6mm Wall plug	A03S0090
9	2	Roller stop	SP0GMS0873	21	1	Moving panel upright seal	SP0GMS0700				
10	4	Roller stop screws	SP0GMS0709	22	1	Curved fixed panel closing seal	SP0GMS0698				
11	1	Top rail end cap	SP0GMS0753	23	1	Complete bottom guide	SP0GMS0793				
12	4	M5x10 screw	SP0GMS0745	24	2	bottom guide screws M4x12	SP0GMS0796				

Whether fitting on a tray or on a tiled Wetroom the tray or floor must be 100% level.



23



This step describes how to adjust the bottom guide and is done from inside the enclosure using the 2.5mm hex key.

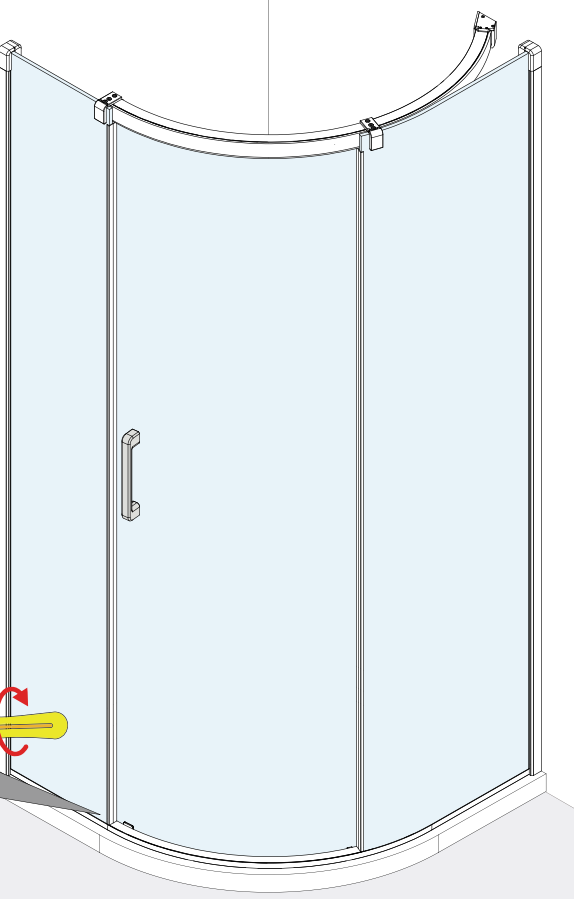
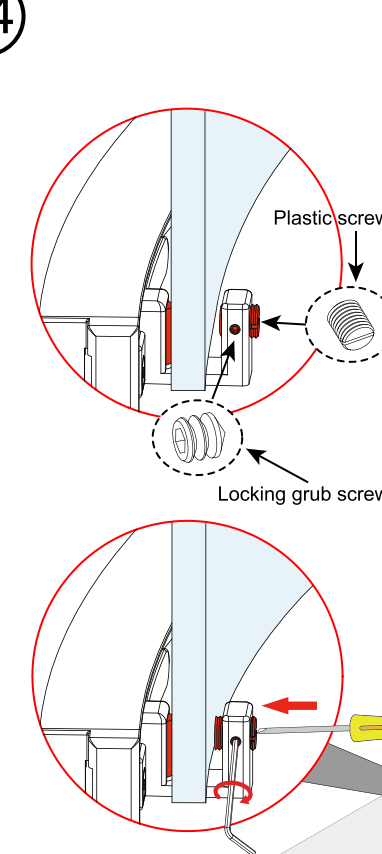
23A Make sure the door is in the fully open position.

23B Loosen both bolts.

23C Slide the guide until it touches the moving panel guide.

23D Fully tighten both bolts.

24



Using a flat head screw driver adjust the plastic screw in the bottom guide to close any gap between the glass and both sides of the guide. Ensure there is no gap and that the glass can slide freely without any restriction. Lock the position by tightening the grub screw on the side of the guide using the 1.5mm hex key.

21

21A Note the top and bottom of the handle, disassemble and fit outer handle making sure to place washers on both side of the glass.

21B When fitting the inner handle make sure the grub screws are to the bottom.

21C Fit upright seals to the edge of the fixed panels and back edge of the moving panel.

21D Fixed panel seal should be tight to the threshold, moving panel seal should be flush with the bottom of the glass.

21E Slide on cover caps for wall bracket from the top.

1

1A Wall profiles are labeled Left and Right so make sure you have noted the handing. The seal should be flush on top and show a gap on the bottom.

1B Insert the bracket into the wall profile.

1C **WARNING** Make sure the bracket is seated correctly and there is no gap between the join of the bracket and profile.

22

This step describes how to adjust the closing side threshold bump stop and is done from inside the enclosure using the 2.5mm hex key.

22A Make sure the door is in the fully closed position.

22B Loosen the bolt.

22C Slide the bump stop until it touches the moving panel guide

22D Fully tighten the bolt.

2

2A Measure distance X and Y from the back wall to the front of the wall profile and ensure it is within the adjustment range of the size chosen.

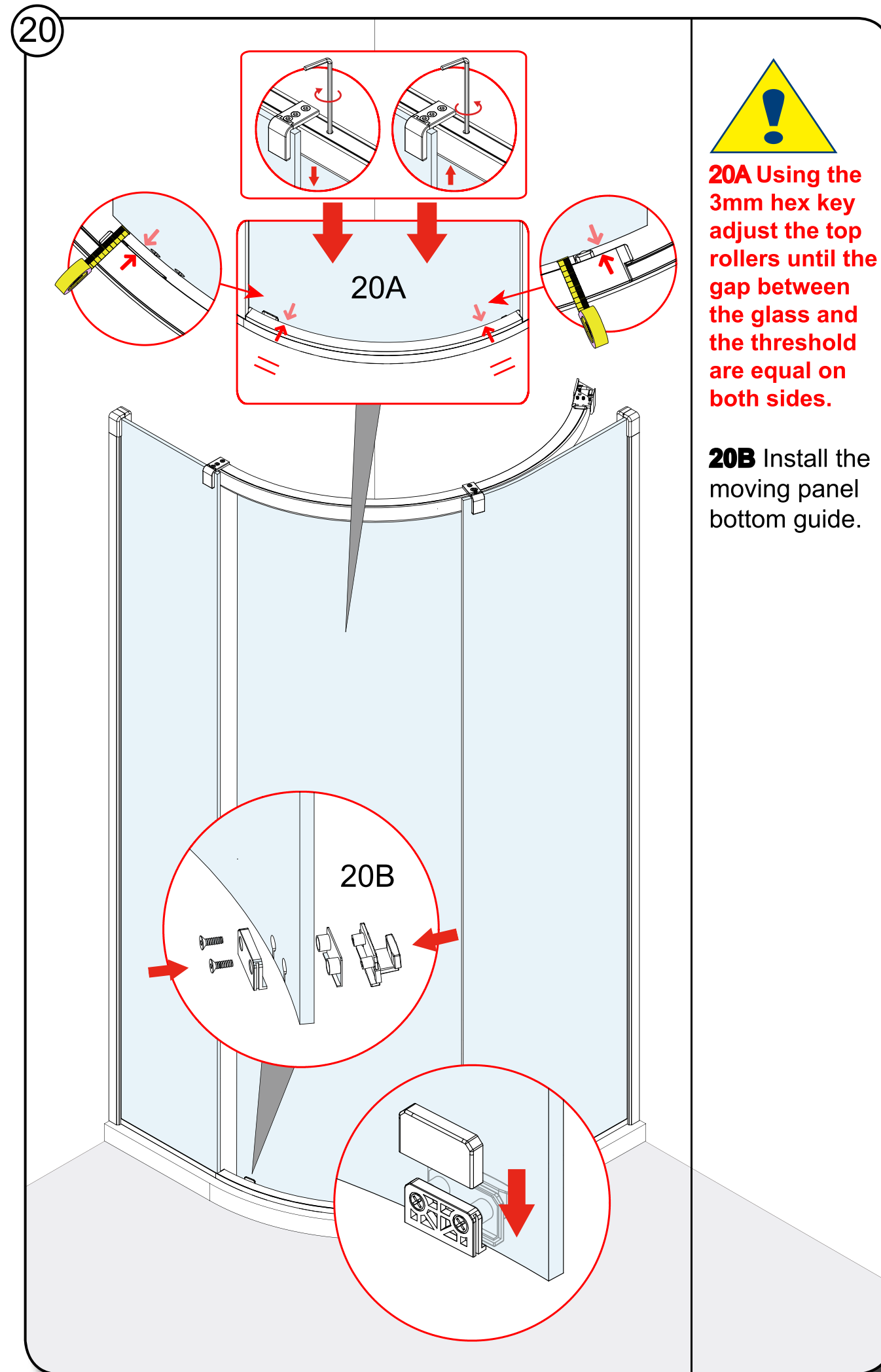
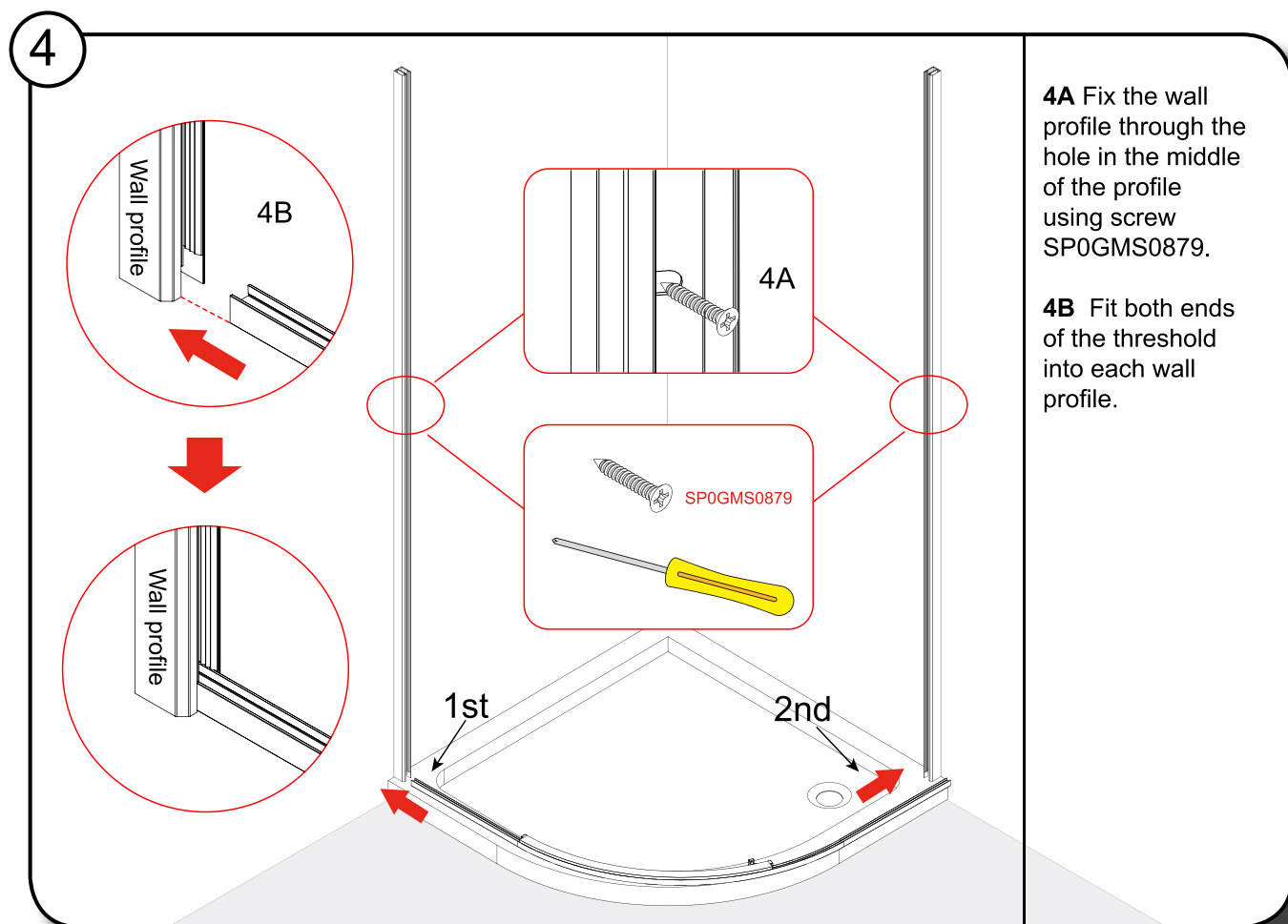
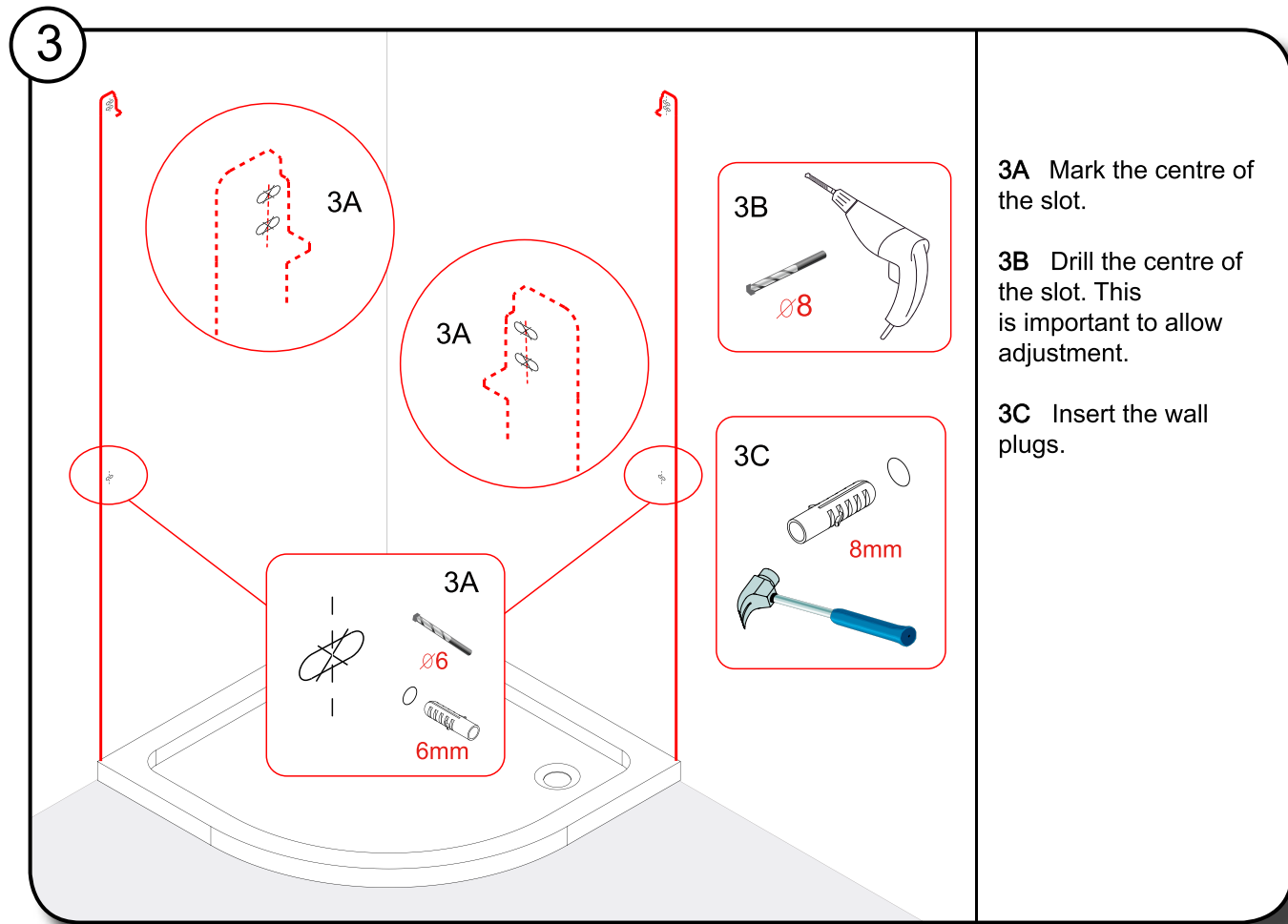
NOTE ! If using optional LED side panel profile add 3mm to Min. and Max adjustment.

2B Plumb the wall profiles.

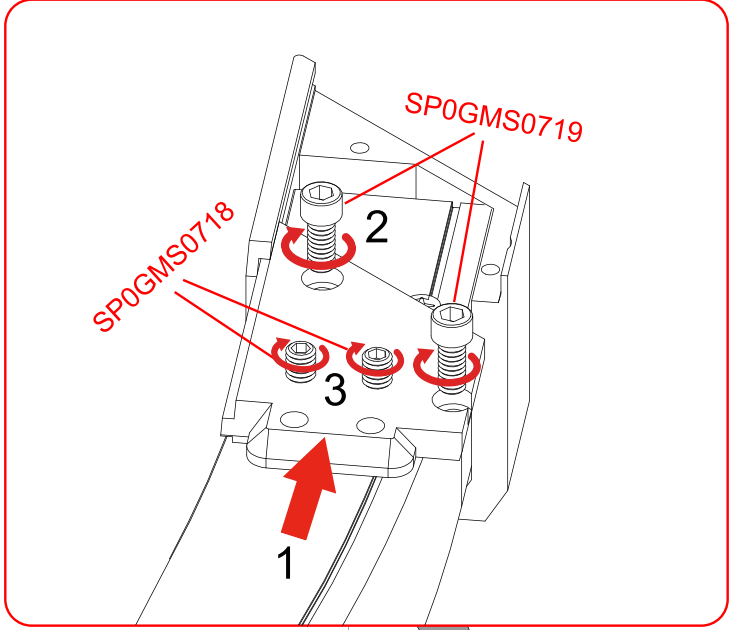
2C Make sure the bracket is seated correctly showing no gap between the join of the wall profile. Make sure the top bracket is level. Mark the wall through the slots in the wall bracket and the centre of the wall profile.

Size	X	Y
900x900	870-885	870-885
1000x1000	970-985	970-985
1000x800	970-985	770-785
1200x800	1170-1185	770-785
1200x900	1170-1185	870-885
1400x800	1370-1385	770-785

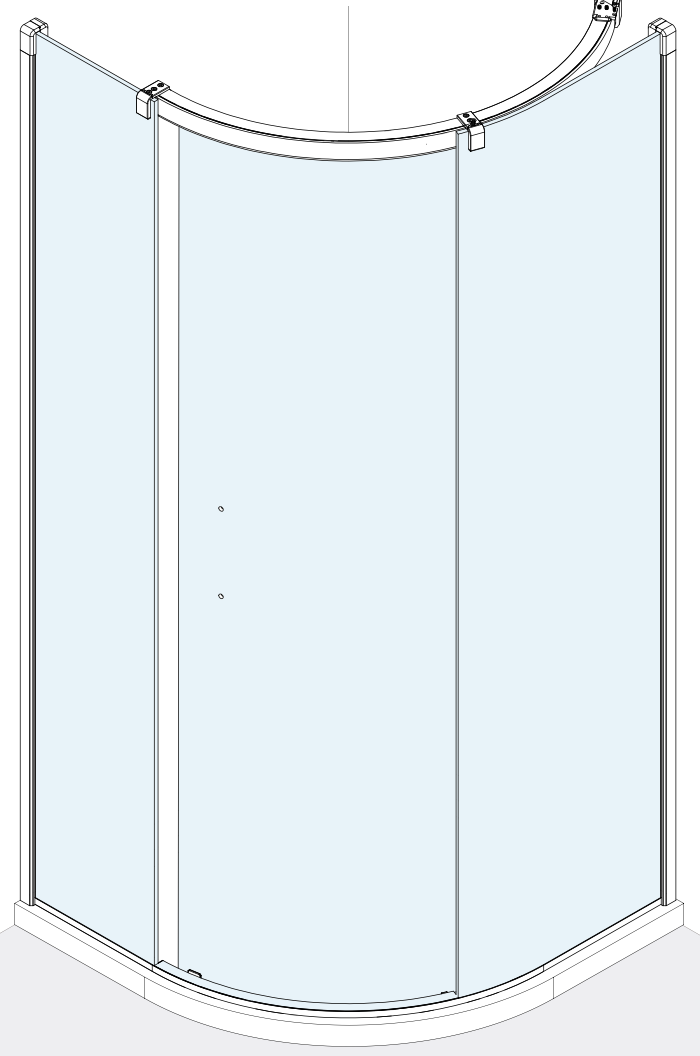
NOTE ! If fitting optional LED profile the fitting procedure is different and you must follow the steps in the LED installation Guide.



19



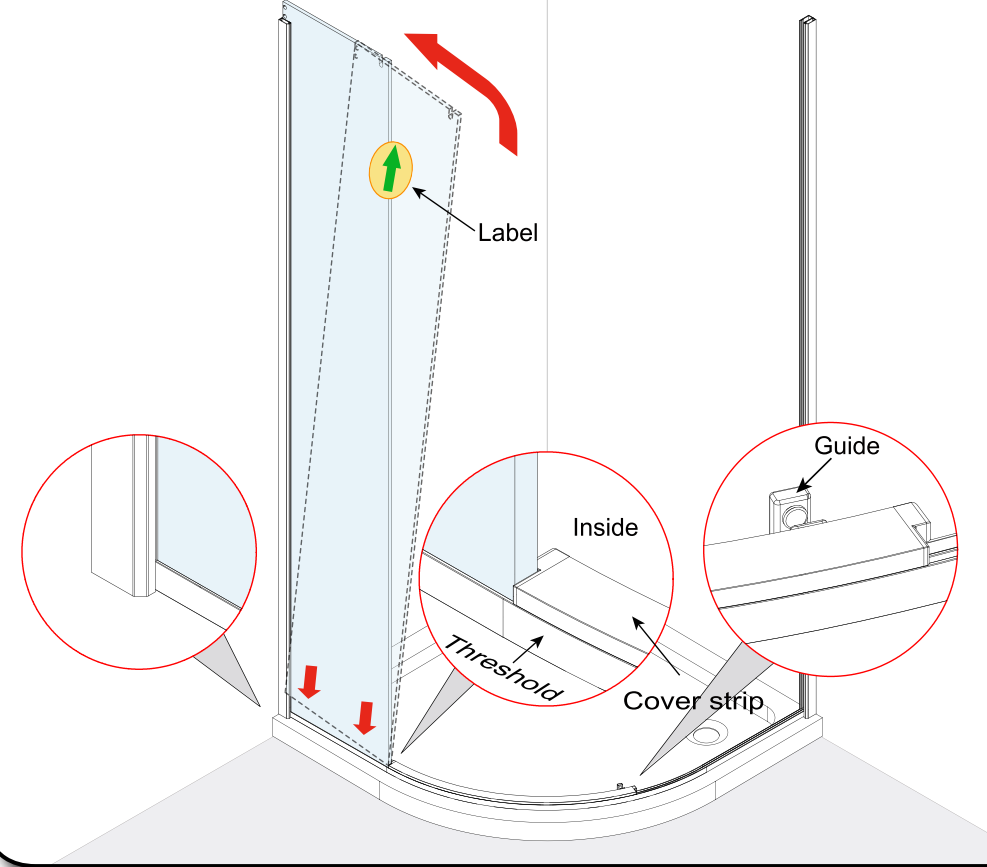
Note: Adjust the luna rail on the tray to ensure correct smooth rolling before sealing.



- 1) Slide the fixing plate into the wall bracket.
- 2) Secure to the bracket with M4x10 screws.
- 3) Lock the rail to the bracket by tightening the grub screws.

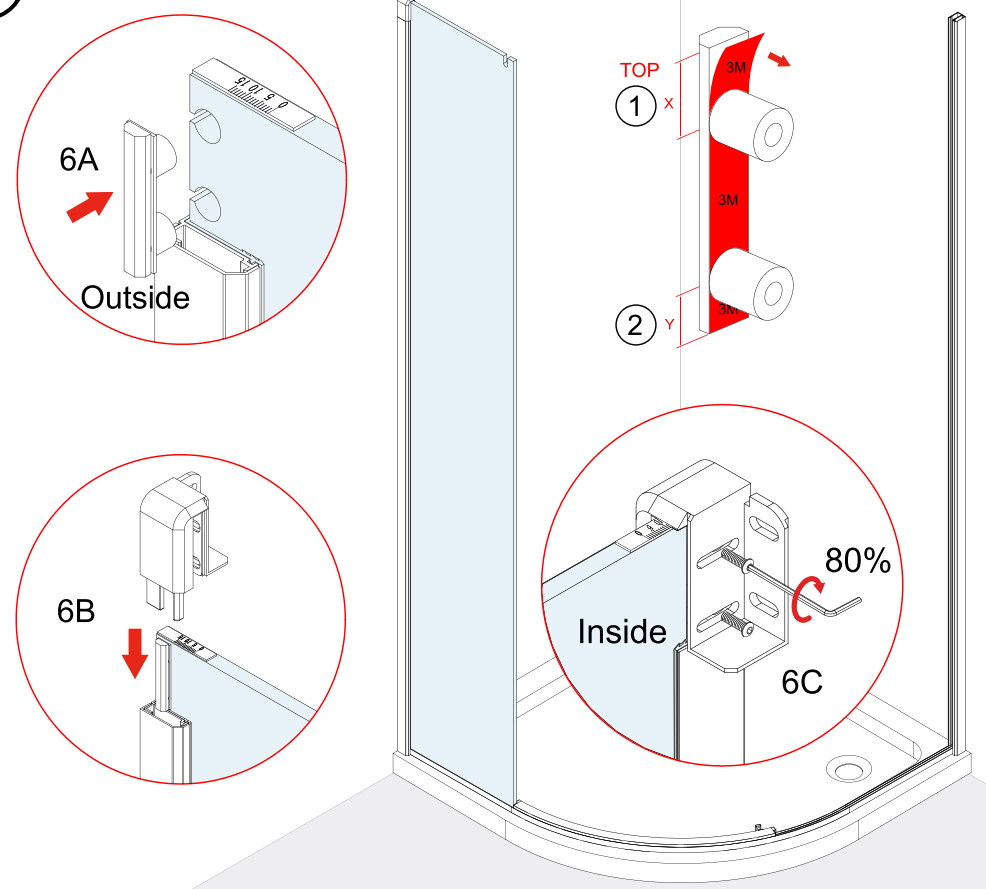
5

FITTING THE FLAT FIXED PANEL



Install the fixed panel into the threshold at a slight angle and ensure the outside edge of the glass is tight to the cover strip.

6



6A On the glass fixing bracket remove the protective film from the tape. The long end X should be to the top. Then fit the fixing bracket to the outside of the glass.

6B Slide the bracket down over the glass fixing.

6C With M4 x 12 screws fix the wall bracket to the clamping bracket. To allow adjustment do not fully tighten until instructed later.

7

First

7A
Inside

Second

7A
Inside

7B

7A Check assembly is plumb and fix to the wall through the bottom slot first making sure there is no gap between the join of the profile and the bracket (7B) and then secure with second screw.

17

17A

17B

17B

17C

17E

17D

17A Lift the moving panel and top rail into the brackets **17B** & **17C**. Make sure both parts of the bracket **17B** are aligned to allow the rail to drop into position.

17D Remove the cable tie.

17E NOTE: Take care not to rest the glass on the top of the guide.

8

FITTING THE CURVED FIXED PANEL

Label

Inside

Cover strip

Threshold

Wall profile

Install the curved fixed panel into the threshold at a slight angle and ensure the outside edge of the glass is tight to the cover strip.

18

2nd

1st

SP0GMS0738
14 M5x14

18A

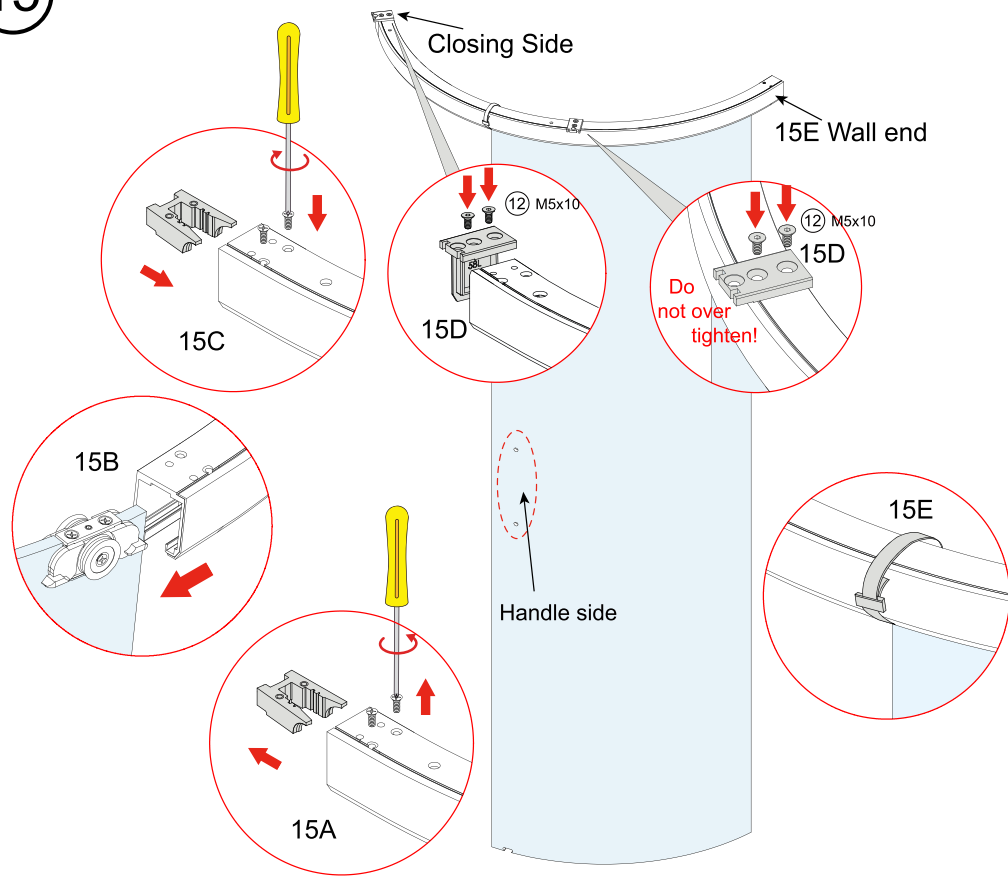
18B

100%

18A Squeeze the fixed panel and rail together to align the bracket and plate and fix with M5 x 14 screw.
Note: Fix the middle bracket first.

18B Fully tighten all bolts.

15



15A Remove the roller stop from the closing side.

15B Slide the top rail onto the moving panel.

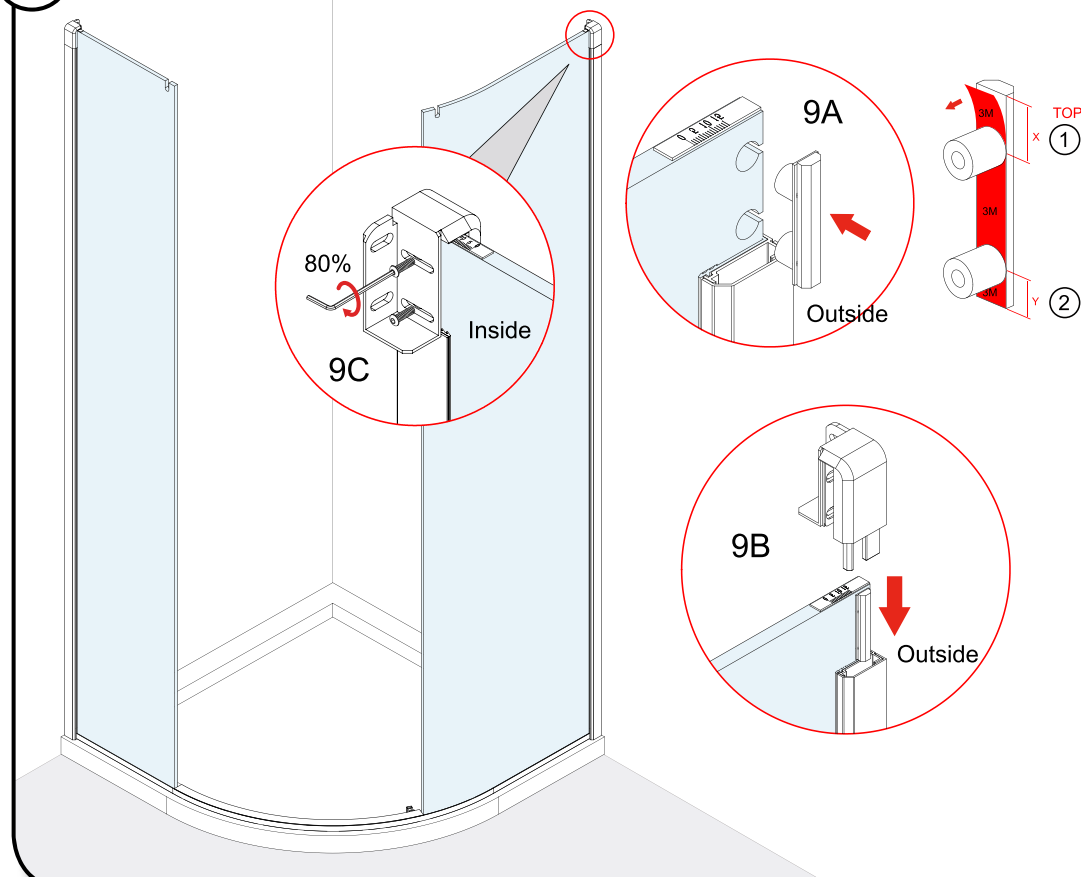
15C Replace the roller stop.

15D Screw fixing plate for middle and end brackets and make sure the slotted end is facing out.

15E To stop the rail sliding side to side when lifting into position secure using the cable tie provided.

Note: Make sure the glass panel is tight to the wall end of the rail.

9

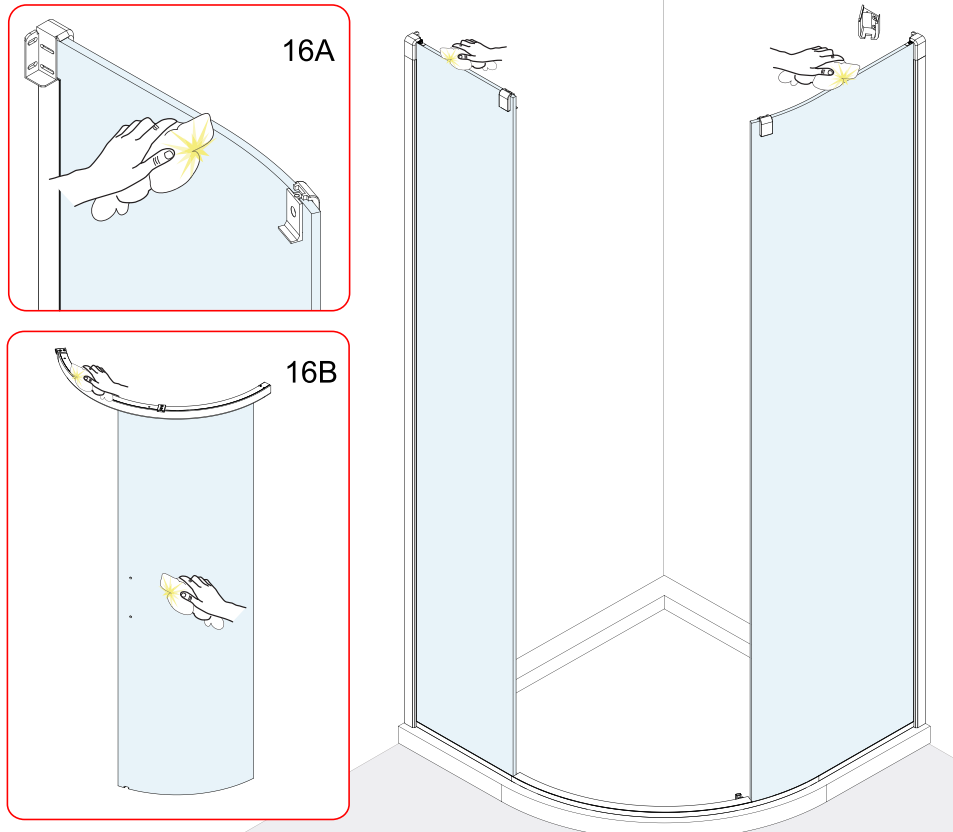


9A On the glass fixing bracket remove the protective film from the tape. The long end X should be to the top. Then fit the fixing bracket to the outside of the glass.

9B Slide the bracket down over the glass fixing.

9C With M4 x 12 screws fix the wall bracket to the clamping bracket. To allow adjustment do not fully tighten until instructed later.

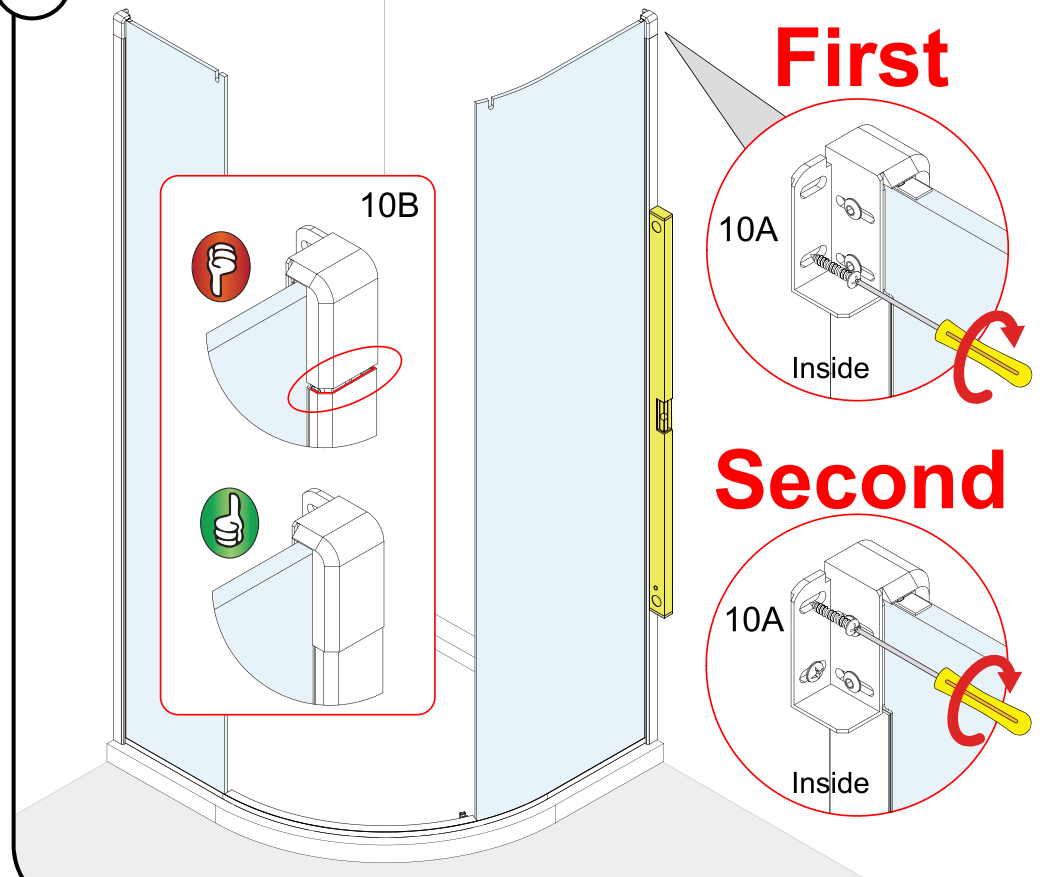
16



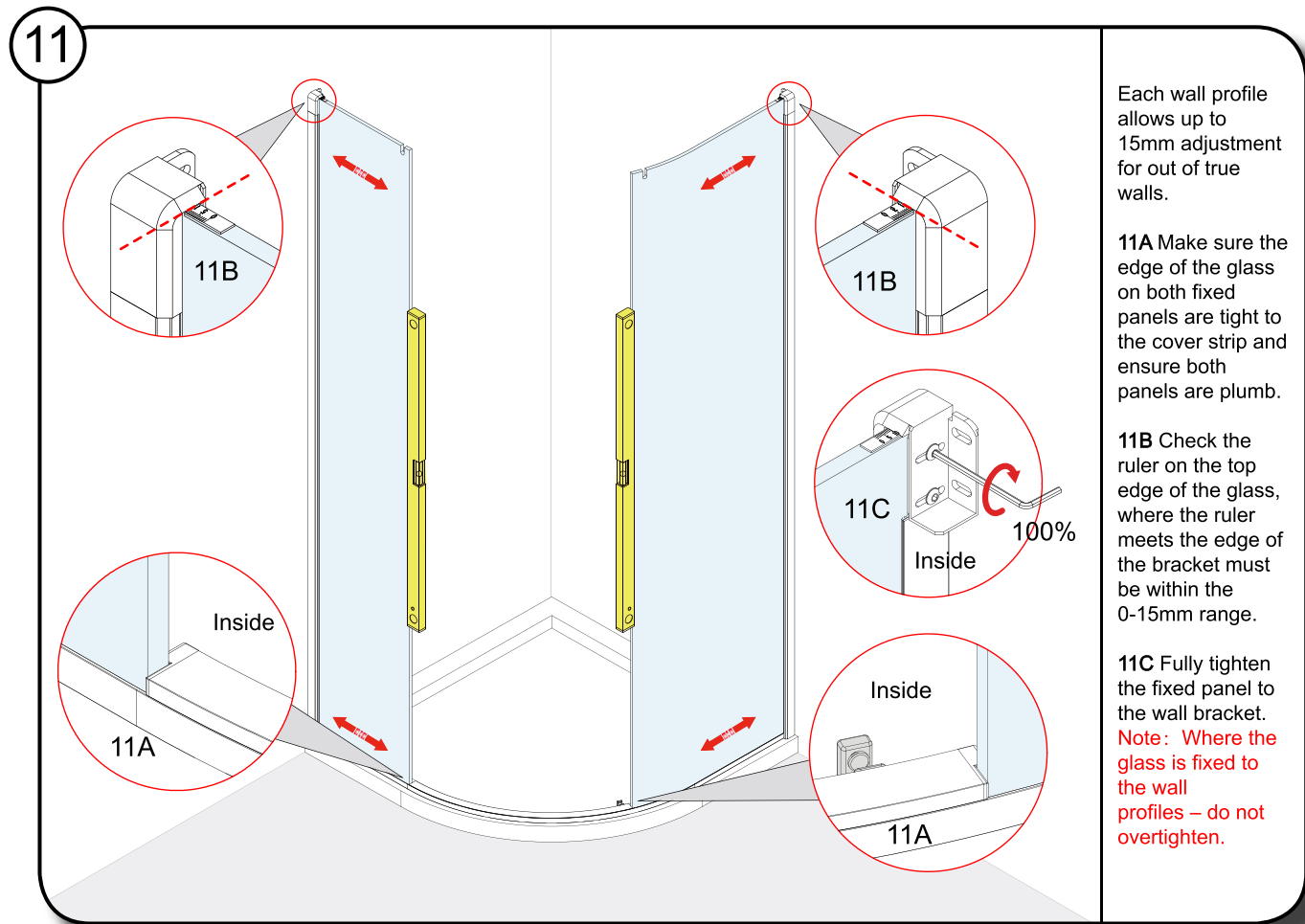
16A Using micro fibre cloth provided thoroughly clean the inside of the glass around the area of the top rail.

16B The top rail also needs to be thoroughly cleaned before lifting into position.

10



10A Check assembly is plumb and fix to the wall through the bottom slot first making sure there is no gap between the join of the profile and the bracket (10B) and then secure with second screw.

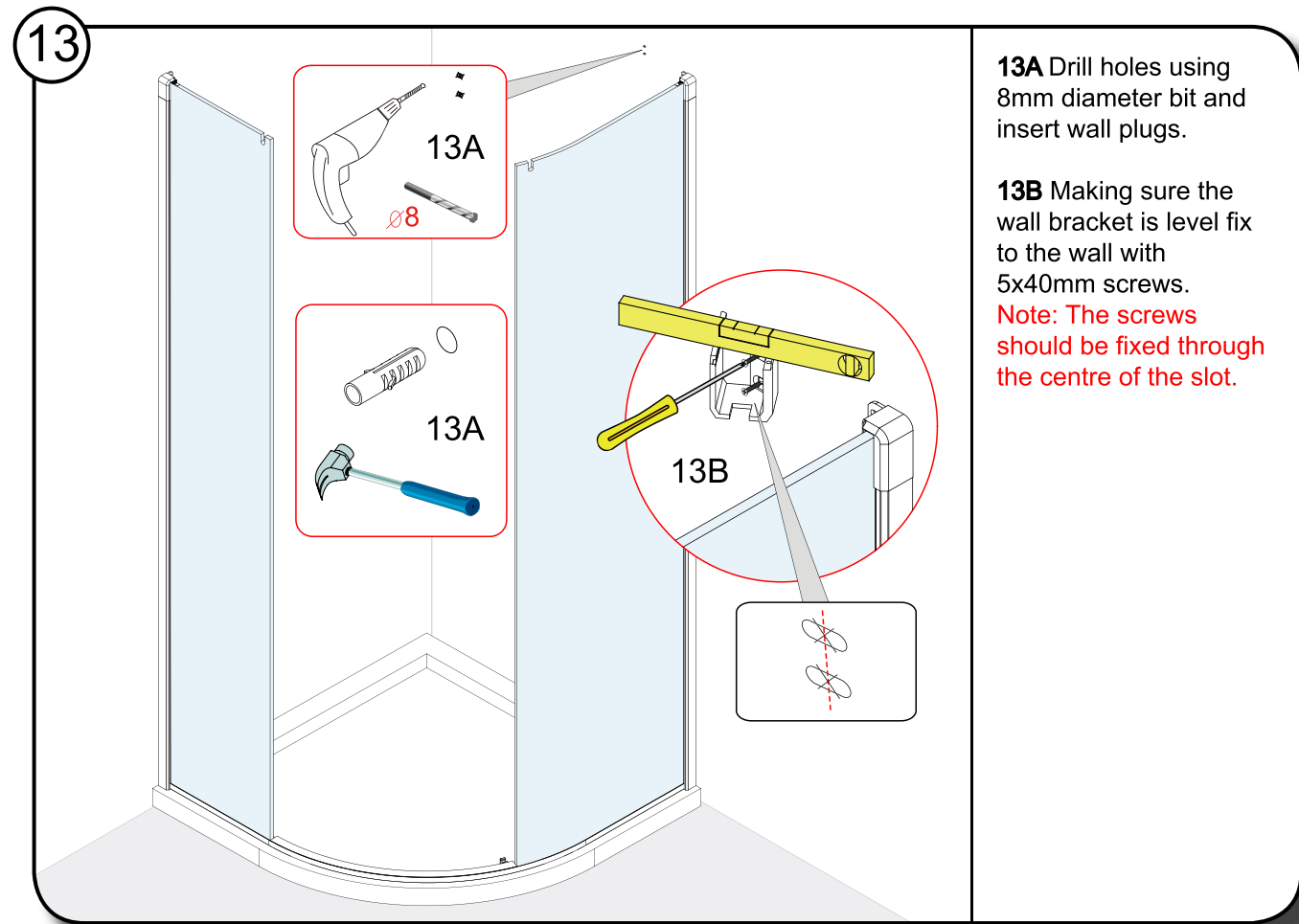


Each wall profile allows up to 15mm adjustment for out of true walls.

11A Make sure the edge of the glass on both fixed panels are tight to the cover strip and ensure both panels are plumb.

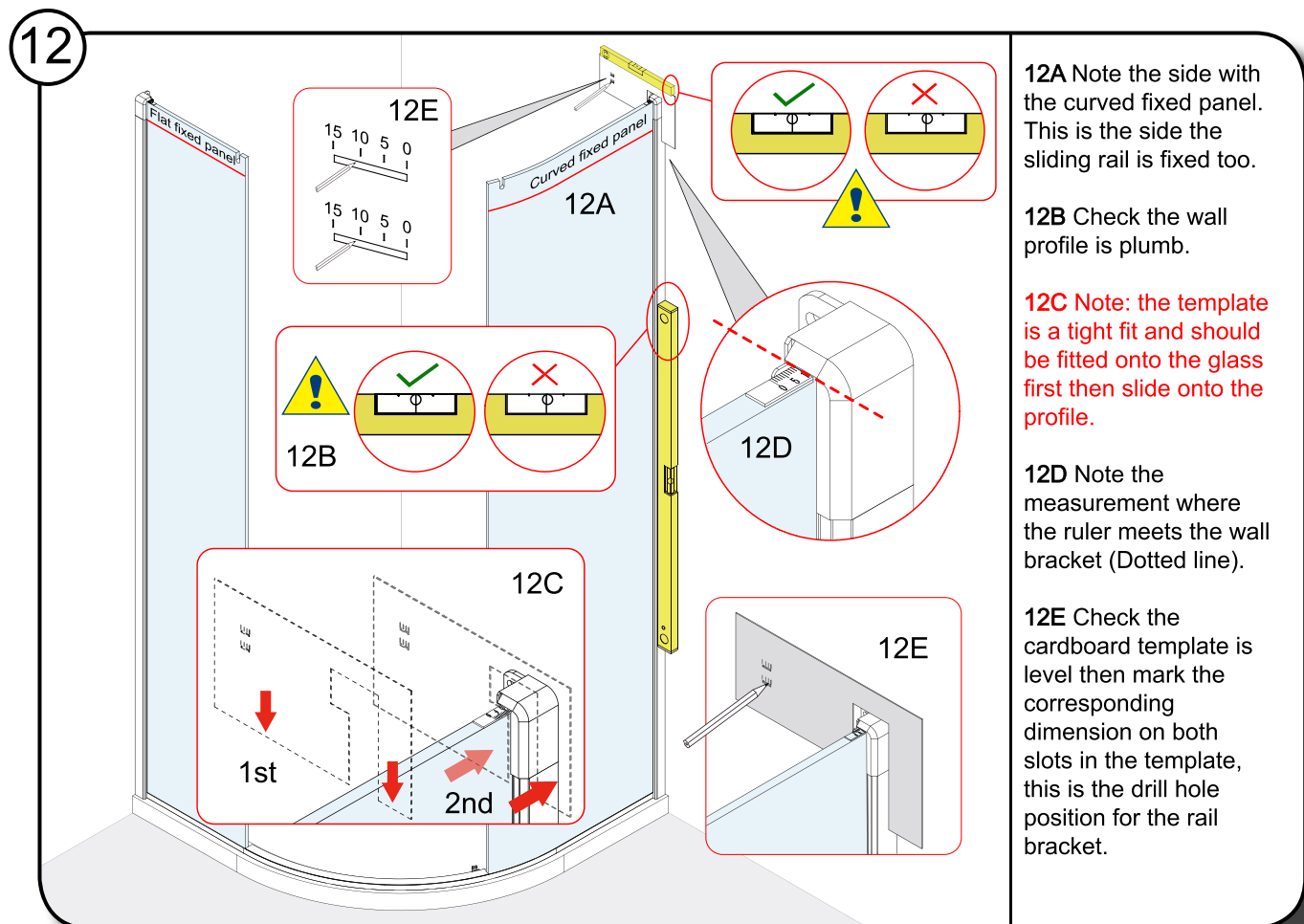
11B Check the ruler on the top edge of the glass, where the ruler meets the edge of the bracket must be within the 0-15mm range.

11C Fully tighten the fixed panel to the wall bracket.
Note: Where the glass is fixed to the wall profiles – do not overtighten.



13A Drill holes using 8mm diameter bit and insert wall plugs.

13B Making sure the wall bracket is level fix to the wall with 5x40mm screws.
Note: The screws should be fixed through the centre of the slot.



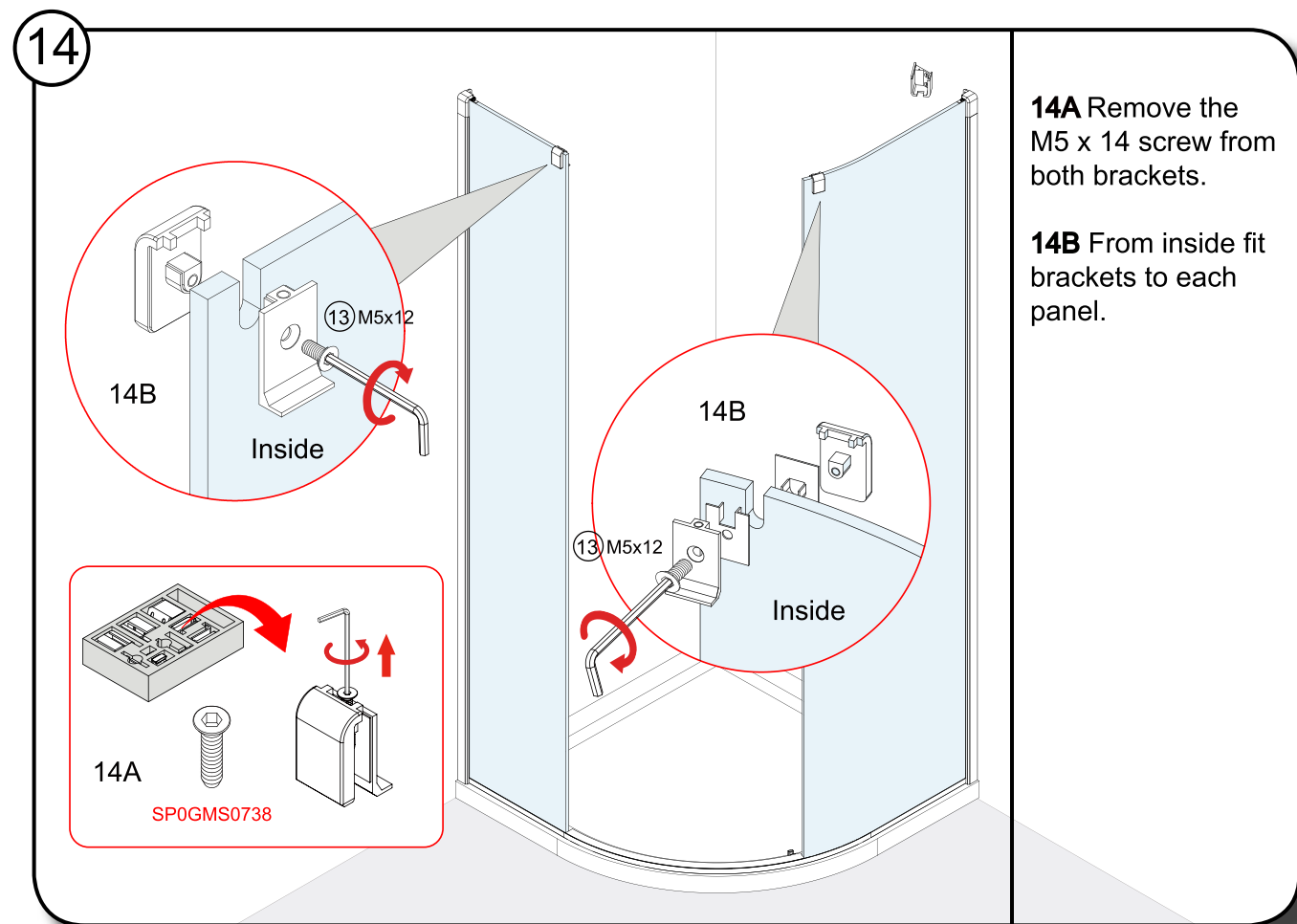
12A Note the side with the curved fixed panel. This is the side the sliding rail is fixed too.

12B Check the wall profile is plumb.

12C **Note:** the template is a tight fit and should be fitted onto the glass first then slide onto the profile.

12D Note the measurement where the ruler meets the wall bracket (Dotted line).

12E Check the cardboard template is level then mark the corresponding dimension on both slots in the template, this is the drill hole position for the rail bracket.



14A Remove the M5 x 14 screw from both brackets.

14B From inside fit brackets to each panel.