



WE ARE IB

Collection

BATLÒ

Article

BI206

Description

Built-in washbasin complete of automatic pop-up

Box Dimensions

425 x 188 x 98 mm

Weight

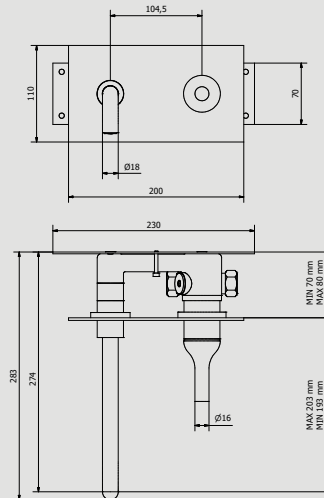
3.6 kg

Finishes

- **CC** CHROME
- **CF** BLACK CHROME
- **BG** GLOSSY WHITE
- **NG** GLOSSY BLACK
- **SS** BRUSHED NICKEL
- **CS** BRUSHED BLACK CHROME
- **BO** MATT WHITE
- **NP** MATT BLACK
- **OO** GOLD
- **BB** ANTIQUE BRONZE
- **II** PALE GOLD
- **RR** ANTIQUE COPPER
- **ORS** ROSE GOLD
- **ON** NATURAL BRASS
- **IS** BRUSHED PALE GOLD
- **HH** PVD CHOCOLATE



Dimensions



Cartridge

IB 35 mms Ceramics Discs Cartridge

Treaded fitting

Treaded fitting G1/2" female

Aerator

M16.5X1 perlator coin slot

Flow Rate (+/-10%)

1 BAR	2 BAR	3 BAR
7.4 l/min	10.3 l/min	12.6 l/min

Production

Main body is a single casted piece

Material

BRASS
According to CuZn35Pb2Al-B (CB752S)
Max Lead content:1.36%

IB RUBINETTERIE s.p.a
via dei Pianotti 3/5
25068 Sarezzo (BS) - Italy -

T. +39 030 802101
F. +39 030 803097
info@weareib.it

P.IVA 01785230986
capitale sociale
€420.000,00 i.v.

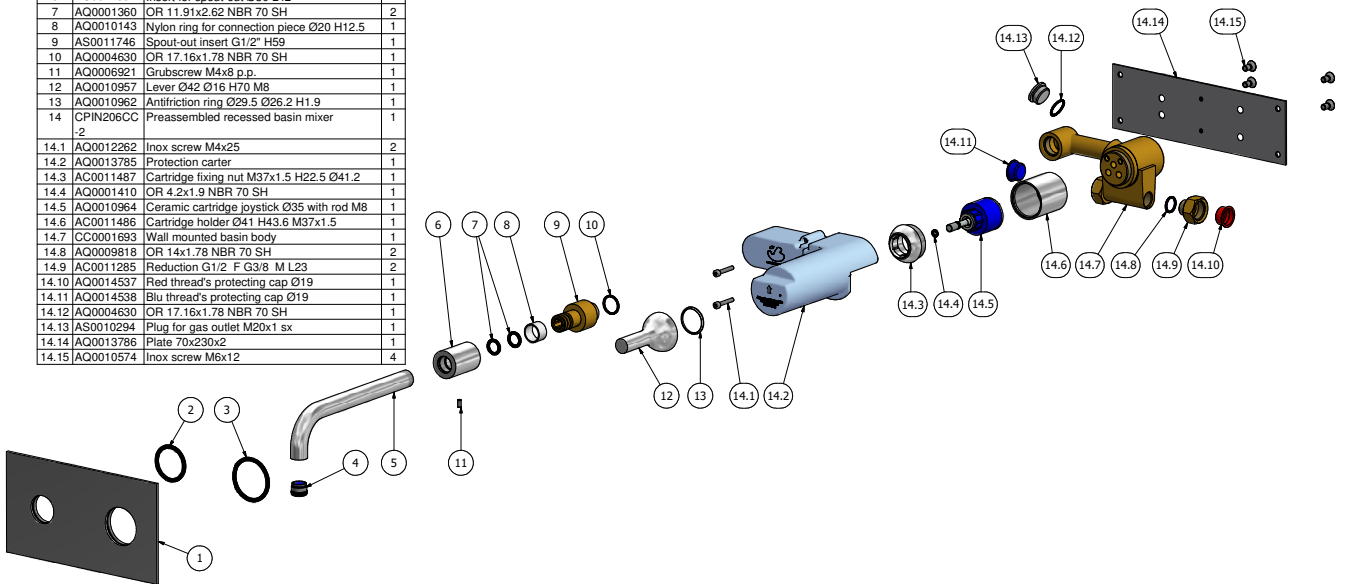
www.weareib.it





WE ARE IB

Elenco parti			
ELEM	CODICE	NUMERO DI MAGAZZINO	QT
1	AC0011992	Plate 200x110 Ø30 Ø41.5	1
2	AQ0009704	OR 32.93x3.53 NBR 70 SH	1
3	AQ0009839	OR 40.87x3.53 NBR 70 SH	1
4	AQ0014236	Cachè perlator M16,5 x 1 coin slot (44.3230.450)	1
5	AC0011995	Spout-out M18x1 M16.5x1 Ø18 L194	1
6	AC0011554	Insert for spout-out Ø30 L42	1
7	AQ0001360	OR 11.91x2.62 NBR 70 SH	2
8	AQ0010143	Nylon ring for connection piece Ø20 H12.5	1
9	AS0011746	Spout-out insert G1/2" H59	1
10	AQ0004630	OR 17.16x1.78 NBR 70 SH	1
11	AQ0006921	Grubscrew M4x8 p.p.	1
12	AQ0010957	Lever Ø42 Ø16 H70 M8	1
13	AQ0010962	Antifriction ring Ø29.5 Ø26.2 H1.9	1
14	CPIN206CC	Preassembled recessed basin mixer 2	1
14.1	AQ0012262	Inox screw M4x25	2
14.2	AQ0013785	Protection carter	1
14.3	AC0011487	Cartridge fixing nut M37x1.5 H22.5 Ø41.2	1
14.4	AQ0001410	OR 4.2x1.9 NBR 70 SH	1
14.5	AQ0010964	Ceramic cartridge joystick Ø35 with rod M8	1
14.6	AC0011486	Cartridge holder Ø41 H43.6 M37x1.5	1
14.7	CC0011693	Wall mounted basin body	1
14.8	AQ0009818	OR 14x1.78 NBR 70 SH	2
14.9	AC0011285	Reduction G1/2" F G3/8" M L23	2
14.10	AQ0014537	Red thread's protecting cap Ø19	1
14.11	AQ0014538	Blu thread's protecting cap Ø19	1
14.12	AQ0004630	OR 17.16x1.78 NBR 70 SH	1
14.13	AS0010294	Plug for gas outlet M20x1 sx	1
14.14	AQ0013786	Plate 70x230x2	1
14.15	AQ0010574	Inox screw M6x12	4





WE ARE IB

WARRANTY

All IB Rubinetterie SpA products are warranted for 10 years from the date of purchase, for the following cases:

- Defects of casting, porosity and chrome plating.
- Operating defects caused by incorrect fabrication.

The warranty provides for repair or replacement of products with fabrication defects recognized by our technical office. There is no other type of compensation anche the merchandise must be returned FOB our warehouse. The warranty only cover surface defects (scatches, dings, etc.) on fitting that have not been installed and used, returned in its original packaging with all components. O-ring, gasket seals and components subject to wear proportional to use are warranted for 2 years.

The warranty is void in the following cases:

Error installing and putting the product into service.

Deterioration of finished surfaces due to use of cleaning products containing acids or abrasive substances. Deterioration of surface with finishes other than chrome plating. Their durability is, in fact, dependent on the user's care and gentleness of use.

Deterioration of the fitting due incorrect installation.

Improper repairs and maintenance performed without the company's prior authorization.

The warranty from IB Rubinetterie SpA is not renewable.

Cleaning

We recommended cleaning the finish surfaces with water and soap, using a soft cloth.

Do not use detergents that contain hydrochloric acid or abrasive substances.

