

#### Features

- Single-speed whirlpool offers performance and value, with 6 fully adjustable jets.
- Hydromassage flow and direction can be controlled at each jet.
- Built-in heater.
- Oval-shaped basin creates a graceful and spacious bathing experience.
- Molded lumbar support and armrests offer extra comfort while bathing.
- Multiple pump location options give you more choices for installation and access. (See specification sheet for pump locations.)

#### Material

- Acrylic.

#### Hydrotherapy

- Whirlpool.

#### Installation

- Drop-in.

#### Recommended Products/Accessories

K-1284 Removable Apron  
K-24916 Wireless Music Kit  
K-23726 Drain treatment  
K-23732 Tub & shower cleaner  
K-37380 30" Rough-in Cable Bath Drain  
K-37383 Rough-in cable bath drain, PVC, 30" cable with tubing  
K-7265 Clearflo Bath Drain  
K-37386 rough-in cable drain, PVC, 30" cable  
K-7213 27" Cable Bath Drain  
K-7166-AF Bath Drain  
K-7161-AF 1-1/2" adjustable pop-up drain above- or through-floor  
K-7214 27" Cable Bath Drain  
K-7259 Clearflo Bath Drain



#### Codes/Standards

ASME A112.19.7/CSA B45.10  
CSA B45.5/IAPMO Z124  
UL 1795




**KOHLER® Plastic Baths and Receptors  
Lifetime Limited Warranty  
KOHLER® Hydrotherapy Components  
Five-Year Limited Warranty**

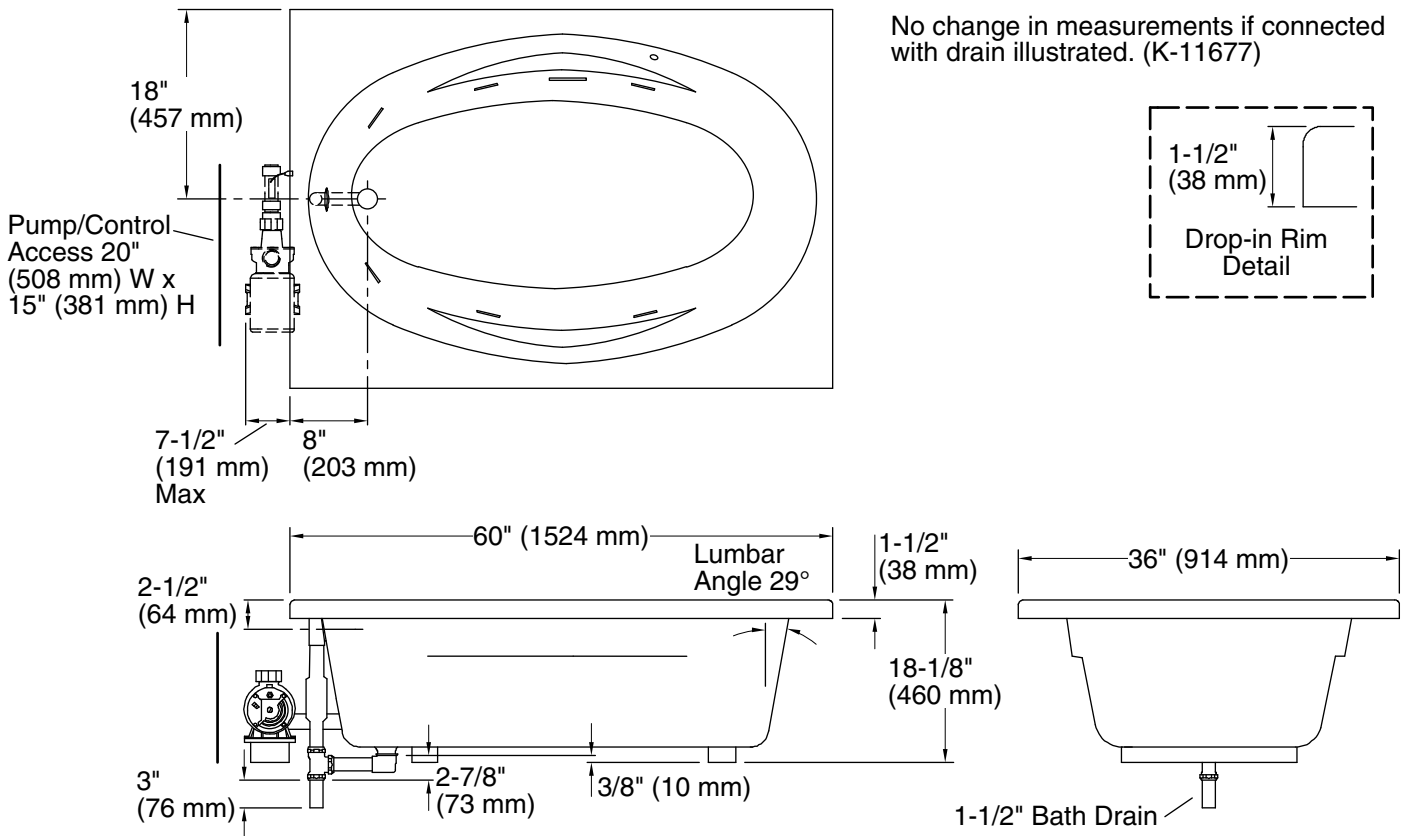
See website for detailed warranty information.

#### Available Colors/Finishes

*Color tiles intended for reference only.*

Color	Code	Description
-------	------	-------------

	0	White
	96	Biscuit
	47	Almond



### Required Electrical Service

Two dedicated circuits required, protected with Class A Ground-Fault Circuit-Interrupter (GFCI). Outside North America, this device may be known as a Residual Current Device (RCD).

Pump: 120 V, 15 A, 60 Hz  
Heater: 120 V, 15 A, 60 Hz

### Technical Information

All product dimensions are nominal.

Installation: Drop-in  
Drain location: End  
Basin area, bottom: 46" x 23" (1168 mm x 584 mm)  
Basin area, top: 55" x 25" (1397 mm x 635 mm)  
Weight: 60 lbs (27.2 kg)  
Minimum floor load: 37 lbs/ft<sup>2</sup> (180.6 kg/m<sup>2</sup>)  
Water depth: 14" (356 mm)  
Water capacity: 57 gal (215.8 L)  
Cutout: Drop-in, 58-1/2" x 34-1/2" (1486 mm x 876 mm)  
Electrical component rating: Pump: 120 V, 7.5 A, 60 Hz  
Heater: 120 V, 12.5 A, 60 Hz, 1500 W  
Pump speed: Single

### Notes

Measure your actual product for rough-in details. Install this product according to the installation instructions.

The hot water supply should be 70% of the capacity of the bath or greater. Installations will vary.