

Features

- 120 airjets release thousands of bubbles that surround, support, and massage the body.
- Variable-speed blower lets you adjust massage intensity to 18 levels.
- Generous 6-foot oval shape provides an incredibly spacious bathing area.
- Molded lumbar support and armrests offer extra comfort while bathing.
- End drain.
- Textured bottom surface.

Material

- Acrylic.

Hydrotherapy

- BubbleMassage.

Installation

- Drop-in.

Recommended Products/Accessories

K-11677 Bath Drain
K-1491 Bath/Whirlpool Pillow
K-1601 Bath/Whirlpool Footstop
K-24916 Wireless Music Kit
K-577 Under-Mount Installation Kit
K-23726 Drain treatment
K-23732 Tub & shower cleaner



Codes/Standards

ASME A112.19.7/CSA B45.10
CSA B45.5/IAPMO Z124
UL 1795

KOHLER® Plastic Baths and Receptors Lifetime Limited Warranty




KOHLER® Hydrotherapy Components Five-Year Limited Warranty

See website for detailed warranty information.

Available Colors/Finishes

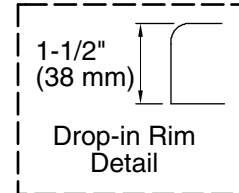
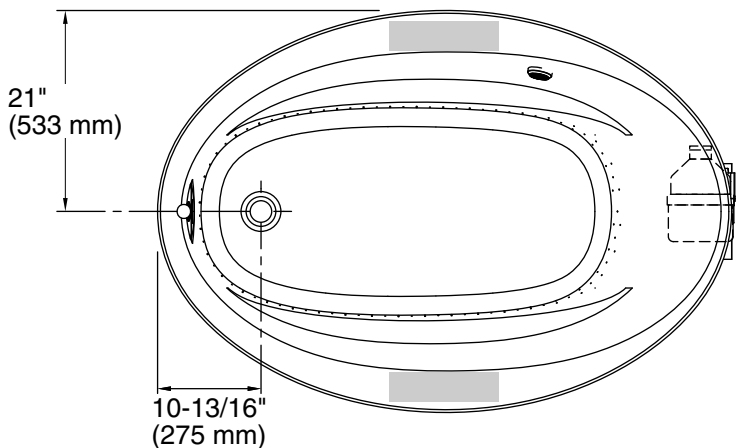
Color tiles intended for reference only.

Color Code Description

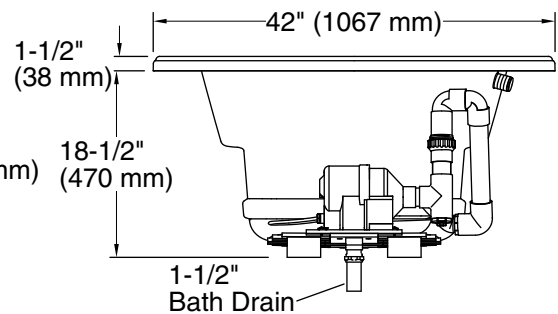
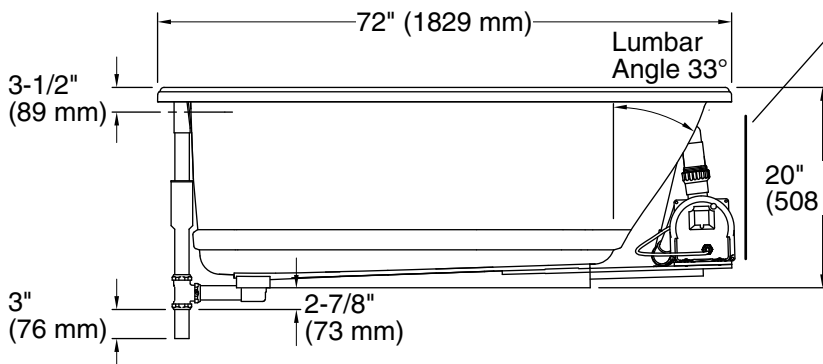
	0	White
	96	Biscuit
	47	Almond

No change in measurements if connected with drain illustrated. (K-11677)

Recommended faucet area



Blower/Control Access
20" (508 mm) W x 15" (381 mm) H Min



Required Electrical Service

One dedicated circuit required, protected with Class A Ground-Fault Circuit-Interrupter (GFCI). Outside North America, this device may be known as a Residual Current Device (RCD).

Blower: 120 V, 15 A, 60 Hz

Technical Information

All product dimensions are nominal.

Installation: Drop-in
 Drain location: End
 Basin area, bottom: 55-1/4" x 23-1/2" (1403 mm x 597 mm)
 Basin area, top: 64-1/2" x 32" (1638 mm x 813 mm)
 Weight: 110 lbs (49.9 kg)
 Minimum floor load: 35 lbs/ft² (170.9 kg/m²)
 Water depth: 15" (381 mm)
 Water capacity: 75 gal (283.9 L)
 Template: Drop-in, 1042557-7, required, included
 Electrical component rating: Blower: 120 V, 10 A, 60 Hz

Notes

Measure your actual product for rough-in details. Install this product according to the installation instructions.

The hot water supply should be 70% of the capacity of the bath or greater. Installations will vary.

Remote blower installation kit is available for relocating the blower. Provide access for servicing the blower.

Do not relocate or alter the PVC tee or coiled flexible tubing connected to the blower. Follow the blower relocation instructions exactly.