

# Инструкция по эксплуатации

Увлажнитель воздуха Timberk THU UL 03 P

**Цены на товар на сайте:**

[http://www.vseinstrumenti.ru/klimat/uvlazhniteli\\_vozduha/timberk/thu\\_ul\\_03\\_p/](http://www.vseinstrumenti.ru/klimat/uvlazhniteli_vozduha/timberk/thu_ul_03_p/)

**Отзывы и обсуждения товара на сайте:**

[http://www.vseinstrumenti.ru/klimat/uvlazhniteli\\_vozduha/timberk/thu\\_ul\\_03\\_p/#tab-Responses](http://www.vseinstrumenti.ru/klimat/uvlazhniteli_vozduha/timberk/thu_ul_03_p/#tab-Responses)

# timberk

Руководство по эксплуатации  
Instruction manual



Электрический  
увлажнитель  
воздуха

Electric  
humidifier

## Модель/Model

THU UL 03 (P)  
THU UL 03 (W)  
THU UL 03 (O)  
THU UL 03 (GN)  
THU UL 03 (BU)  
THU UL 03 (BL)

Dear customer!

We thank you for your happy choice! You've bought an air humidifier Timberk. It will serve you for a long time. Please, read this manual carefully before operating the device!

## Contents

1. Important information .....	2
2. Safeguards .....	2
3. Specification .....	3
4. Appliance description .....	3
5. List of parts .....	4
6. Filling of tank with water .....	4
7. Appliance operation .....	4
8. Cartridge filter for water softening .....	4
9. Cleaning and maintenance .....	5
10. Troubleshooting .....	5
11. Utilization .....	5

### 1. Important information

The manufacturer reserves the right to make modifications in design, configuration or manufacturing process of the device in order to improve its properties.

There may be some misprints in the text and digital notations of this manual.

If you have any answers concerning operation of the appliance after you've read the manual, please, apply to a shop assistant or to a specialized service center for explanations.

The article has a label showing all the necessary specification data and other useful information about the appliance.

Use the appliance only for its intended purpose indicated in this manual.

The humidifier is designed for air humidification indoors.

Relative air humidity for comfortable conditions should be between 40 and 60%.

Insufficient air humidity results in exsiccation of mucous membranes, which in turn causes decrease in immunity, headache, cracking of lips, sandpaper in the eyes, favors infection and respiratory tract diseases, promotes exhaustion, leads to increased fatigue of eyes and decline of attention concentration, has an adverse effect on pets and house-plants, leads to the growth of dust formation and increase of electrostatic charge of synthetic textiles.

### 2. Safeguards

Before startup of the humidifier, please, study this manual carefully and keep it for further use.

While using the appliance, it is necessary to observe some precautions. Improper operation due to disregard to precautions may result in personal injury of user or other people, as well as to damaging of their property. The humidifier is designed for work in habitable rooms with observation of the stated operation conditions. Using of the humidifier not for its intended purpose may create situations dangerous to life and health. The electric appliance, while in operation, should be under supervision, especially if it is used in a room with children. The appliance is not intended for use by persons (including children) with physical, sensory or mental disabilities, or having insufficient experience and knowledge, if they are not under supervision and did not receive instructions for use of the appliance from a person responsible for their safety. Please, make sure that children do not play with the appliance. Use the appliance only in accordance with the user's manual.

Never use the humidifier with a damaged power cord or plug and if the humidifier is broken or damaged by falling or in other circumstances. The humidifier should be operated only in the fully assembled condition. To avoid a burn, do not touch a membrane of the operating humidifier (for ultrasonic models). High frequency of oscillations results in heating of the membrane.

#### Note!

High-frequency oscillations of the ultrasonic humidifier membrane are noiseless and safe for people and pets.

To avoid the electric shock, the damaged power cord should be replaced only in authorized service centers by qualified specialists.

To avoid the electric shock, do not place the power cord near heating appliances and inflammable or combustible materials.

To avoid traumas and property damage, do not try to repair the humidifier by yourself.

Unplug the humidifier in the following cases: before discharge or filling of a tank with water; before cleaning and maintenance; before assembling/disassembling of elements; before displacement of the humidifier.

Install the humidifier on flat dry surface.

Outgoing steam may damage exposed surfaces. Do not install the humidifier on the floor, as well as in close proximity to heating appliances, walls, furniture and other objects.

The manufacturer and vendor are not responsible for damages caused by incorrect position of the humidifier.

The humidifier should be installed on a rise – e.g. on a table, pedestal, etc.

Never fill the water in the humidifier through a diffuser.

Do not immerse the humidifier in water or other liquids.

Do not install the humidifier in a passage or in other places, where it can be touched, overturned, etc.

If the humidifier is not in use, unplug it. Do not lay a power cable under a carpet or other objects. While placing the humidifier, be careful that you do not touch the power cable by accident. Do not use the humidifier in damp rooms.

Prevent the ingress of foreign objects into the humidifier.

Do not block an air intake and the diffuser with foreign objects.

Do not sit or stand on the humidifier and do not put heavy objects on it.

To avoid the damage of the humidifier, do not mix the water used for humidification with essential oils, preservation agents, flavouring materials and other foreign substances. The manufacturer and vendor are not responsible for damages of the humidifier caused by nonfulfillment of this requirement.

While unplugging the humidifier, do not pull the power cable and do not touch it with wet hands.

### 3. Specification

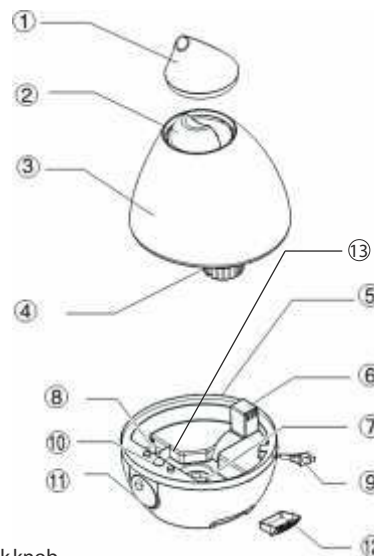
Table 1.

Humidification capacity, ml/h	280
Supply voltage, V/Hz	220/50
Tank volume, l	3,3
Power consumption, W	38
Nominal current, A	0,17
Moisture protection class rating	IPX0
Electrical protection class rating	II
Appliance dimensions, mm	220x220x325
Package dimensions, mm	250x250x360
Net weight, kg	2,0
Gross weight, kg	2,4
Recommended floor space, m <sup>2</sup>	20-30

The manufacturer reserves the right to change the set-list of the device (including liquid and powder components) for different supplies without prior notice. The changes either in no way influence the basic technical parameters of the device or may improve them, and also not violate the legislation or quality standards of the countries of manufacture, transit and selling.

The changes in the set-list may result in changing of the weight and dimensions of the device, but not more than by +\ - 5-20% (depending on the product category)

### 4. Appliance description



1. Diffuser\*
2. Water tank knob
3. Water tank
4. Cover of water tank with flap
5. Base
6. Ventilation hole
7. Ultrasonic membrane
8. Safety switch for the lack of water
9. Power cord and plug
10. Indication light
11. On-and-off and steam escape intensity controller
12. Chamber of aromatic oil
13. Water filter

\* The diffuser spins a full 360°, the direction of steam diffusion is controlled manually at user's will

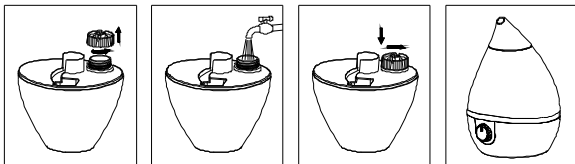
## 5. List of parts

1. Air humidifier – 1
2. User's manual - 1
3. Guarantee slip - 1
4. Package - 1

## 6. Filling of tank with water

To fill the tank – see Figure 2.

Fig. 2



### ATTENTION!

To avoid the electric shock, unplug the appliance before dismantling (removing of the tank)! Do not fill the tank with other liquids, except for tap water. Other liquids have unfavorable effect upon internal components and lead to failure.

Do not fill the appliance or the water tank with such additives as essential oil, flavouring agent, detergent, chemical pharmaceuticals, hot water (over 40°), etc. Otherwise, the water tank and internal components will be damaged and get out of order. Do not fill the water directly in internal part of the appliance or in the diffuser. The presence of water inside the appliance may result in its failure.

Do not hit or throw the water tank. It may be damaged, which will result in water leakage. Do not use the appliance in case of heavy shock of the tank. Apply to the maintenance service or service center immediately. Fill the tank with pure water every day and keep the appliance clean.

## 7. Appliance operation

Switching on/off, control of steam escape intensity

Plug the appliance. Before that, fill the tank with water. Turn the on-and-off and steam escape intensity controller to the right.

The appliance will switch on, the indication light will flash and steam will come out from the diffuser. In the very beginning of this operation the diffusion level may be unstable, which is caused by temperature difference and water quality. Stabilization of this process will take a short time.

### DESCRIPTION OF SYMBOLS

⏻ - On;

○ - Off;

⏻<sup>22</sup> - Night mode

## Steam outlet rate regulator

Turning the controller to the right and to the left, you may control the steam intensity. Higher intensity of steam escape results in stronger and faster air humidification.

### Night operation mode

To choose night operation mode, put on/off and steam outlet rate regulator in « ⏻<sup>22</sup> » position

In night mode the device operates with less intensity. Depending on the ambient temperature, humidification capacity may vary from 80 to 100 ml/h

Relative air humidity for comfortable conditions should be between 40 and 60%. You may define a favourable humidity level on the basis of your own feelings or use a special device - hygrometer\*, measuring a relative humidity level.

Air flavouring

The appliance is equipped with a chamber for aromatic oil. When the aromatic oil is added, the air will be flavoured. Aromatic oil is not included in the delivery set.

### Automatic cut-out in the absence of water

Upon fall of water level in the reservoir lower minimum allowed the ultrasound membrane of the device cuts out automatically. The red detector lights up on the control panel. To continue the device functioning it is necessary to fill the reservoir with water in accordance with the paragraph 5 Filling the reservoir with water.

### Shutdown of device

To switch off the device, put on/off and steam outlet rate regulator in « ○ » position

## 8. Cartridge filter for water softening

The delivery set includes 1 cartridge filter with balls of mineral stone, which has a strong absorption properties. Filter disinfects water, absorbs the elements of heavy metals such as lead, chromium, mercury, zinc, etc. Restores the normal acidity of the water (PH).

Filter service life is 4-6 months, depending on the quality of water used and the frequency of use of the device.

If white marks appear on objects around the moistener, when the air humidifier is used, this may be caused by the following:

1. Used water contains much magnesium or calcium. It is necessary to use water pretreated in a household water filter or distilled water removing the filter beforehand.
2. Remains of calcium and manganese salts accumulated inside the appliance. It is necessary to clean the appliance inside.
3. Steam settles airborne dust onto surface.

## 9. Cleaning and maintenance

Before cleaning of the appliance, please, make sure that it is unplugged. Otherwise, it may result in electric shock.

Before cleaning, please, wait for complete cooling of water in grooves – to avoid burning your hands.

Clean the appliance once or twice a week.

8.1. Wipe an external surface of the appliance with wet and soft cloth.

To avoid the electric shock, do not scratch and damage elements of the appliance, while cleaning.

Do not clean the appliance with solvent, gasoline, xylene, scrub brush, talc powder and other substances, except for water.

8.2. Wipe remaining water within the groove under the tank with wet and soft cloth.

Water remaining on small components may be wiped by a soft brush. Then clean these components with soft cloth.

8.3. If the membrane is dirty, clean it with a soft brush.

8.4. Use a soft brush to wipe remaining water on the nozzle surface and then wipe it again with soft cloth.

8.5. Wash the water tank and diffuser with pure water. Wash the cover accurately and lightly. Otherwise, it will result in leaking of water through the cover.

After removing of water from the diffuser surface, wipe it with soft cloth. Clean the external surface of the appliance with wet and soft cloth.

### ! ATTENTION!

To avoid deformation and abrasion of working surfaces, resulting in lowering of diffusion level or other defects, do not use metal brushes, razors or talc powder to wipe the nozzle surface. In case of a heavy shock, the tank may leak.

In case of a water leak, stop the appliance operation immediately and apply to the service center.

To keep the appliance dry, remove water after cleaning and dry the water tank and the case.

Make sure that there is no water left within the water tank and the case.

Before a long pause in use of the appliance, please, dry the tank and the surfaces, install the tank into the case and pack the humidifier in a plastic bag, and then – in a box.

Keep the appliance in a room with low humidity.

Keeping of the appliance in undried condition may result in moldiness.

## 10. Troubleshooting

In case of emergency, please, use the troubleshooting methods shown in tables. If it is impossible to solve problems with these methods, apply to the service center.

## 11. Utilization

Service life of the humidifier is 2 years.

At the end of its service life the humidifier should be utilized in accordance with regulations and procedures, which are in force at the place of utilization.

Table 2.

Failure	Possible reason	Correction method
Poor diffusion (insufficient capacity)	The appliance works in soft mode (low diffusion frequency)	There is no failure. If it is necessary to switch to heavy mode, turn the controller knob to the extreme right position.
	The diffuser is clogged	Clean the diffuser
	Too low temperature of water in the tank	Set the maximum capacity. After a while, the humidifier capacity will increase
No diffusion	Poor plugging	Plug the appliance accurately
White bloom on objects around the appliance (salts from water)	Sediments on the membrane	Clean the membrane with a special brush
Steam with unpleasant smell	Stale water is used	Clean the appliance in accordance with cleaning and maintenance instructions and fill it with fresh water
	There are residues of stale water or garbage in the groove for water or in the diffuser	

## Уважаемый покупатель!

Благодарим Вас за удачный выбор и приобретение увлажнителя воздуха Timberk. Он прослужит Вам долго.

### СОДЕРЖАНИЕ

1. Важная информация.....	6
2. Правила безопасности.....	6
3. Технические характеристики.....	7
4. Описание прибора.....	8
5. Комплектация.....	8
6. Наполнение резервуара водой.....	8
7. Эксплуатация прибора.....	9
8. Фильтр картридж для умягчения воды.....	9
9. Чистка и обслуживание прибора.....	9
10. Поиск и устранение неисправностей.....	10
11. Утилизация.....	10
12. Информация о сертификации.....	11

### 1. Важная информация

Производитель оставляет за собой право без предварительного уведомления покупателя вносить изменения в конструкцию, комплектацию или технологию изготовления изделия с целью улучшения его свойств. В тексте и цифровых обозначениях данного руководства могут быть допущены опечатки.

Если после прочтения руководства у Вас останутся вопросы по работе и эксплуатации прибора, обратитесь к продавцу или в специализированный сервисный центр для получения разъяснений. На изделии присутствует этикетка, на которой указаны все необходимые технические данные и другая полезная информация о приборе.

Используйте прибор только по назначению, указанному в данном руководстве.

Увлажнитель предназначен для увлажнения воздуха в помещении. Комфортные условия достигаются при относительной влажности воздуха от 40 до 60%. Недостаточная влажность воздуха приводит к высыхиванию слизистых оболочек, что в свою очередь является причиной снижения иммунитета, головной боли, растрескивания губ, жжения в глазах, благоприятствует развитию инфекции и заболеваниям дыхательных путей, вызывает утомление, приводит к повышенной усталости глаз и ухудшению концентрации внимания, отрицательно влияет на состояние домашних животных и комнатных

растений, приводит к усилению пылеобразования, повышению электростатического заряда синтетических тканей.

### 2. Правила безопасности

Перед вводом в эксплуатацию увлажнителя внимательно изучите данное руководство по эксплуатации и храните его для дальнейшего использования.

При использовании прибора, необходимо соблюдать ряд мер предосторожности. Неправильная эксплуатация в силу игнорирования мер предосторожности может привести к причинению вреда здоровью пользователя и других людей, а также нанесению ущерба их имуществу. Увлажнитель предназначен для работы в жилых помещениях с соблюдением указанных условий эксплуатации. Использование увлажнителя не по назначению может создавать ситуации, опасные для жизни и здоровья людей.

Электроприбор должен находиться под наблюдением во время его эксплуатации, особенно, если неподалёку от него находятся дети. Устройство не предназначено для использования лицами (включая детей) с ограниченными физическими, сенсорными или умственными возможностями, обладающими недостаточным опытом и знаниями, если они не находятся под наблюдением и не получили инструкций по использованию устройства от лица, ответственного за их безопасность. Необходимо следить, чтобы дети не играли с устройством.

Не используйте устройство, в целях, непредусмотренных этим руководством по эксплуатации.

Не допускается эксплуатировать увлажнитель, если его сетевой шнур или штепсельная вилка имеют повреждения, а также, если увлажнитель неисправен, поврежден при падении или при других обстоятельствах. Увлажнитель должен эксплуатироваться только в полностью собранном виде.

Во избежание ожога при работающем увлажнителе не прикасайтесь к мембране увлажнителя. Из-за высокой частоты колебаний мембрана сильно нагревается.

#### Примечание!

Высокочастотные колебания мембраны ультразвукового увлажнителя не слышны и совершенно безопасны для людей и домашних животных.

Во избежание опасности поражения электрическим током, поврежденный сетевой шнур должен меняться только в авторизованных сервисных центрах квалифицированными специалистами. Во избежание опасности поражения электрическим током не размещайте сетевой шнур рядом с нагревательными приборами и легковоспламеняющимися или горючими веществами.

Во избежание травм и повреждения имущества не пытайтесь самостоятельно ремонтировать увлажнитель.

Вынимайте штепсельную вилку увлажнителя из сетевой розетки в следующих случаях: перед сливом или заправкой резервуара водой; перед чисткой и техническим обслуживанием; перед монтажом/демонтажем элементов увлажнителя; перед перемещением увлажнителя на другое место.

Устанавливайте увлажнитель на ровной сухой поверхности. Выходящий из увлажнителя пар может повредить поверхности, на которые он попадает. Не устанавливайте увлажнитель на пол, а также в непосредственной близости от отопительных приборов, стен, мебели и других предметов.

За повреждения, полученные из-за неправильного расположения увлажнителя, изготовитель и продавец ответственности не несут.

Увлажнитель следует установить на каком-либо возвышении, например, на столе, тумбе и т.п.

Не допускается заливать в увлажнитель воду через распылитель.

Не погружайте увлажнитель в воду или другие жидкости.

Не устанавливайте увлажнитель на проходе или в других местах, где его могут задеть, опрокинуть и т.п.

Если увлажнитель не используется, отключите его от сети электропитания.

Не прокладывайте сетевой шнур под ковром или другими предметами. Расположите увлажнитель так, чтобы случайно не задеть сетевой шнур.

Не используйте увлажнитель в сырых помещениях.

Не допускайте попадания в увлажнитель посторонних предметов.

Не загромождайте посторонними предметами воздухозаборное отверстие и распылитель увлажнителя.

Не садитесь, не вставайте и не ставьте тяжелые предметы на увлажнитель.

Во избежание повреждения увлажнителя не добавляйте в используемую для увлажнения воду эфирные масла, консервирующие добавки, ароматизаторы и другие посторонние примеси. За повреждения увлажнителя, полученные из-за невыполнения данного требования, изготовитель и продавец ответственности не несут.

При отключении увлажнителя от сети электропитания не тяните за сетевой шнур и не дотрагивайтесь до него влажными руками.

### 3. Технические характеристики

Таблица 1.

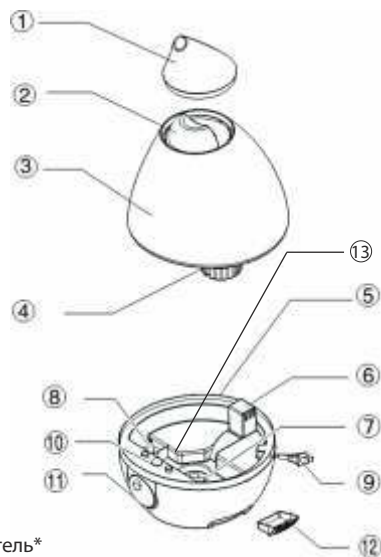
Производительность по увлажнению мл/ч	280
Номинальное напряжение, В/Гц	220/50
Объем бака, л	3,3
Номинальная потребляемая мощность, Вт	38
Номинальный ток, А	0,17
Степень защиты	IPx0
Класс электрозащиты	II
Размеры прибора, мм	220x220x325
Размеры упаковки, мм	250x250x360
Вес нетто, кг	2,0
Вес брутто, кг	2,4
Рекомендуемая площадь помещения, м <sup>2</sup>	20-30

Производитель оставляет за собой право для разных партий поставок без предварительного уведомления изменять комплектующие части изделия (включая заливаемые \ засыпаемые составляющие), не влияя при этом на основные технические параметры изделия или улучшая их, а также не нарушая изменениями принятые на территории страны производства \ транзита \ реализации стандарты качества и нормы законодательства.

Это может повлечь за собой изменение веса и габаритов изделия, но не более чем на +/- 5-20% (могут отличаться для разного вида изделий).



#### 4. Описание прибора



1. Распылитель\*
2. Ручка резервуара для воды
3. Резервуар для воды
4. Крышка с клапаном резервуара для воды
5. Основание прибора
6. Вентиляционное отверстие
7. Ультразвуковая мембрана
8. Защитный выключатель при отсутствии воды
9. Сетевой шнур и вилка
10. Индикаторная лампочка
11. Регулятор включения/выключения и интенсивности выхода пара
12. Отсек для ароматического масла
13. Фильтр для умягчения воды

\* Распылитель вращается на 360°, направление распыления пара регулируется вручную по усмотрению пользователя

#### 5. Комплектация

1. Увлажнитель воздуха 1 шт.
2. Руководство по эксплуатации 1 шт.
3. Гарантийный талон 1 шт.
4. Упаковка 1 шт.

#### 6. Наполнение резервуара водой

Для наполнения резервуара руководствуйтесь рисунком 2.

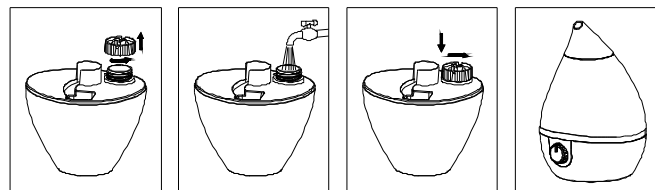


Рис. 2

Рис. 1



#### ВНИМАНИЕ!

Во избежание поражения электрическим током, перед тем, как разбирать прибор (снимать резервуар), отключите прибор от электросети!


Не наполняйте резервуар иными жидкостями, за исключением водопроводной воды. Другой состав жидкостей оказывает вредное воздействие на внутренние детали и приводит к неисправности.

Не наполняйте устройство или резервуар для воды такими добавками как эфирное масло, ароматизирующее вещество, моющее средство, химические лекарственные препараты, теплая вода (свыше 40°) и т. д. В противном случае резервуар для воды и внутренние детали устройства повредятся и придут в неисправность. Не заливайте воду непосредственно во внутреннюю часть устройства или распылитель. Наличие воды внутри устройства может привести к неисправности прибора.

Не ударяйте и не бросайте резервуар для воды. Он может повредиться, что приведет к утечке воды. Не используйте устройство в случае сильного удара резервуара. Немедленно обратитесь в службу технического обслуживания или пункт технического обслуживания и ремонта. Каждый день наполняйте резервуар чистой водой и содержите прибор в чистоте.

## 7. Эксплуатация прибора

### ОПИСАНИЕ СИМВОЛОВ

 - Включение;  - Выключение;  - Ночной режим;


#### Включение прибора

Подключите прибор к электросети, предварительно наполнив резервуар водой. Поверните регулятор включения/выключения и интенсивности выхода пара вправо. Прибор включится, загорится индикаторная лампочка и из распылителя пойдет пар. В самом начале этой операции уровень распыления может оказаться не стабильным, что вызвано разностью температуры и качеством воды. Потребуется короткое время для того, чтобы этот процесс стабилизировался.

#### Регулировка интенсивности пара

Вращая регулятор влево и вправо, вы можете регулировать интенсивность пара. Чем больше пара выходит, тем сильнее и быстрее происходит увлажнение воздуха.

#### Ночной режим работы

Чтобы выбрать ночной режим работы установите регулятор включения/выключения и интенсивности выхода пара в положении «». В ночном режиме прибор работает с меньшей интенсивностью. В зависимости от температуры окружающего воздуха производительность по увлажнению может колебаться примерно от 80 до 100 мл/ч

Комфортные условия достигаются при относительной влажности воздуха от 40 до 60%. Вы можете определить благоприятный для вас уровень влажности по собственным ощущениям, либо использовать для этого специальный прибор гигрометр (в комплект поставки не входит), измеряющий уровень относительной влажности.


#### Ароматизация воздуха

Прибор оснащен отсеком для ароматического масла. При добавлении в него ароматического масла происходит ароматизация воздуха. Ароматическое масло в комплект не входит.

#### Автоматическое отключение при отсутствии воды.

При понижении уровня воды в резервуаре ниже минимально допустимого ультразвуковая мембрана прибора автоматически отключается и на панели управления загорается красный индикатор. Для продолжения работы прибора необходимо наполнить резервуар водой согласно п.6 «Наполнение резервуара водой».

#### Выключение прибора

Для выключения прибора установите регулятор включения/выключения и интенсивности выхода пара в положении «».

## 8. Фильтр-картридж для умягчения воды

В комплект прибора входит 1 фильтр-картридж с шариками из минерального камня, который обладает сильными абсорбирующими свойствами. Фильтр впитывает элементы тяжелых металлов, таких как свинец, хром, ртуть, цинк и т.д. Обеззараживает воду и восстанавливает нормальную кислотность (РН).

Срок службы фильтра составляет 4-6 месяцев, в зависимости от качества используемой воды и частоты использования прибора.

Если при использовании увлажнителя на предметах вокруг увлажнителя появился белый налет, это может быть следствием следующих причин:

1. Вода, которая используется, содержит большое количество магния или кальция. Следует использовать воду, предварительно очищенную с помощью бытового фильтра для воды.

2. Остатки солей кальция и магния накопились во внутренней части прибора. Необходимо очистить внутренние части прибора.
3. Пар осаживает на поверхность взвеси пыли, находящиеся в воздухе.
4. Ухудшились свойства фильтра для умягчения воды. Необходимо заменить фильтр для умягчения воды.

## 9. Чистка и обслуживание прибора

Перед началом чистки устройства убедитесь в том, что вилка отключена от розетки. В противном случае, это может привести к поражению электрическим током.

Перед началом чистки дождитесь полного охлаждения воды в канавках, чтобы не обжечь руки.

Проводите чистку устройства один или два раза в неделю.

8.1.Для протирки внешней поверхности устройства используйте влажную и мягкую ткань.

Во избежание поражения электрическим током не царапайте и не повреждайте при чистке элементы устройства.

Не используйте при чистке прибора растворитель, бензин, диметилбензол, жесткую щётку, тальковую пудру и другие вещества, кроме воды.

8.2.Втрите остатки воды внутри канавки под резервуаром влажной и мягкой тканью.

Для удаления остатков воды на мелких деталях можно воспользоваться мягкой щеткой, а затем протереть их снова мягкой тканью.

8.3.При образовании грязи на мембране, очистите её с помощью мягкой щёточки.

8.4.Воспользуйтесь мягкой щеткой для стирания остатков воды на поверхности сопла распылителя, а затем протрите его снова мягкой тканью.

8.5.Промойте резервуар для воды и распылитель чистой водой. Крышку промывайте аккуратно и без усилий, в противном случае это приведет к протечке воды через крышку.

После удаления остатков воды с поверхности распылителя протрите его мягкой тканью. Очистите внешнюю поверхность устройства влажной и мягкой тканью.



#### ВНИМАНИЕ!

Во избежание деформации и стирания рабочих поверхностей, ведущих к снижению уровня распыления или другим неисправностям, не пользуйтесь металлическими щетками, лезвиями или тальковой пудрой для протирания поверхности сопла распылителя.

При сильных ударах резервуар для воды может протекать.

При появлении утечки воды немедленно прекратите работу устройства и обратитесь в сервисный центр.

Для поддержания прибора в сухом состоянии удалите воду после очистки и обязательно просушите резервуар для воды и корпус устройства.

Убедитесь в том, что внутри резервуара для воды и корпуса устройства не осталось воды.

Перед длительной паузой в использовании прибора просушите резервуар и поверхность устройства, установите резервуар в корпус прибора и упакуйте увлажнитель в пластиковый пакет, а затем в коробку.

Храните прибор в помещении с низкой влажностью.

Хранение устройства в непросушенном состоянии приводит к появлению плесени.

## 10. Поиск и устранение неисправностей

В случае возникновения аварийных ситуаций обратитесь к способам устранения неисправностей, указанным в таблице 2. В случае невозможности решения проблем указанными способами обратитесь в сервисный центр производителя.

**Таблица 2**

Неисправность	Возможная причина	Метод устранения
Слабое распыление (недостаточная производительность)	Устройство работает в слабом режиме (низкая частота распыления)	Неисправность отсутствует. При необходимости переключения на интенсивный режим работы поверните ручку регулятора в крайнее правое положение
	Засорился распылитель	Очистите распылитель
	Слишком низкая температура воды в резервуаре	Задать максимальную производительность. Через некоторое время производительность увлажнителя повысится
Отсутствует распыление	Плохо вставлена вилка в розетку	Аккуратно вставьте вилку прибора в розетку
На предметах вокруг увлажнителя появился белый налет (соли, выделяющиеся из воды)	На мембране образовались известковые отложения	Почистить мембрану увлажнителя специальной
	Ухудшились свойства фильтра для умягчения воды	Заменить фильтр для умягчения воды
Пар имеет неприятный запах	Используется несвежая вода	Проведите очистку устройства в соответствии с инструкциями по очистке и обслуживанию и наполните свежей водой
	В основании прибора или распылителе скопились остатки несвежей воды или мусор	

## 11. Утилизация

Срок службы увлажнителя 2 года. По истечении срока службы увлажнитель должен подвергаться утилизации в соответствии с нормами, правилами и способами, действующими в месте утилизации.

## 12. Информация о сертификации

### Изделие соответствует директиве EEC 89/336, касающейся электромагнитного оборудования

Гарантируется безотказная работа изделия в соответствии со сроками, указанными в гарантийном талоне. Обязательно ознакомьтесь с условиями гарантии и требуйте от продавца правильного и четкого заполнения гарантийного талона.

### Гарантийный талон вложен в упаковку изделия

Timberk снимает с себя любую ответственность за возможный вред, прямо или косвенно нанесенный продукцией Timberk людям, домашним животным, имуществу в случае, если это произошло в результате несоблюдения правил и условий эксплуатации, установки изделия, умышленных или неосторожных действий потребителя или третьих лиц.

### Товар сертифицирован на территории России органом по сертификации:

рег. № РОСС RU.0001.11AB71.  
ПРОДУКЦИИ ООО "ОПТИМАТЕСТ". Фактический адрес: 123308. г. Москва, ул. Мневники, д.3, корп. 1, оф. 323;  
Юридический адрес: 115162, г. Москва, Павла Андреева ул. №28, корпус 4, тел. +7 495 6044266, факс +7 495 6044266.

Товар соответствует требованиям нормативных документов:

ГОСТ P 52161.2.30-2007,  
ГОСТ P 51318.14.1-2006 p.4,  
ГОСТ P 51318.14.2-2006 p.5,7,  
ГОСТ P 51317.3.3-2008,  
ГОСТ P 51317.3.2-2006 p.6,7

№ сертификата: RU C-IL.AB71.B.00081

Срок действия: с 5.07.2012 по 4.07.2015

### Изготовитель\*:

«Тимберк Хоум Хиатинг Эпплаенсис Компани» Хамасгер стрит, 10, Эйлат, Израиль 88000

Телефон/факс +972-8-637-88-311

### Импортер\*:

ООО «Гольфстрим»  
Адрес: г. Москва, ул. Кожевническая, дом 1, стр.1, офис 606

телефон/факс (499) 638-26-77

### По вопросам сервисной поддержки и качества приобретенного товара просьба обращаться по телефону:

+ 7 (495) 6275285

\* Данные могут быть изменены в связи со сменой производителя, продавца, производственного филиала и/или импортера в РФ и/или страны ЕТС. Актуальную информацию Вы можете получить из содержания действующего на момент продажи сертификата соответствия, а также из данных этикетки, которой маркируется упаковка изделия до даты последующей продажи дистрибьютором на территории РФ или стран ЕТС.



RU

Руководство по эксплуатации техники Timberk написано на английском языке и переведено на русский язык.

В целях информирования покупателей техники Timberk, мы дополнительно сообщаем, что русский является государственным языком в следующих государствах:

1. в Российской Федерации
2. в Республике Беларусь наряду с белорусским языком
3. в частично признанной Южной Осетии наряду с осетинским языком



BY

Русский язык является официальным языком (во всех случаях другой язык или другие языки выступают как государственный или второй официальный) в следующих государствах и на территориях:

1. в Республике Казахстан
2. в Киргизской Республике
3. в административных единицах Украины, где доля носителей русского языка составляет более 10%, при соответствующем решении местных советов
4. в Автономной Республике Крым



OS



TJ

В Республике Таджикистан русский язык признан по Конституции языком межнационального общения.



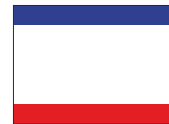
KG



KZ



UA



AK



CIS

Официальным языком международной организации Содружество Независимых Государств (СНГ) является русский язык.

timberk

[www.timberk.com](http://www.timberk.com)

[www.timberk.ru](http://www.timberk.ru)



A871