



see what Delta can do™

BATHROOM FAUCET

- Vesna™ Bath Collection
- Single Handle Deck Mount

STANDARD SPECIFICATIONS:

- Max. flow rate 1.2 gpm @ 60 psi, 4.5 L/min @ 414 kPa
- Diamond coated ceramic cartridge
- One or three hole mount (escutcheon optional, included)
- Polymer braided flexible supply hose with 9/16 - 24UNEF thread connection
- Handle rotates 22°
- Control handle shall return to neutral position when valve is turned off
- Control mechanism is replaceable cartridge with ceramic plates
- Models have drain with pop-up type fitting with plated flange and stopper
- Drain operates using vertical slide mechanism
- Red/blue indicator markings

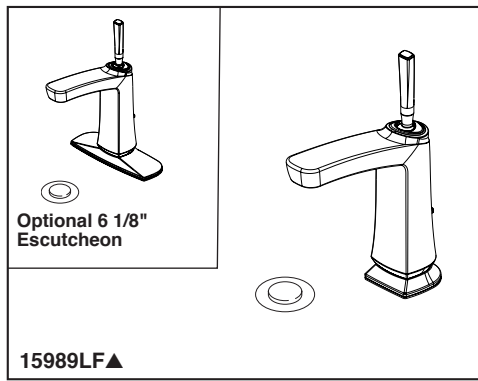
WARRANTY

- Parts and Finish - Lifetime limited warranty; or for commercial purchasers, 10 years for multi-family residential (apartments and condominiums) and 5 years for all other commercial uses, in each case from the date of purchase.
- Electronic Parts and Batteries (if applicable) - 5 years from the date of purchase; or for commercial purchasers, 1 year from the date of purchase. No warranty is provided on batteries.



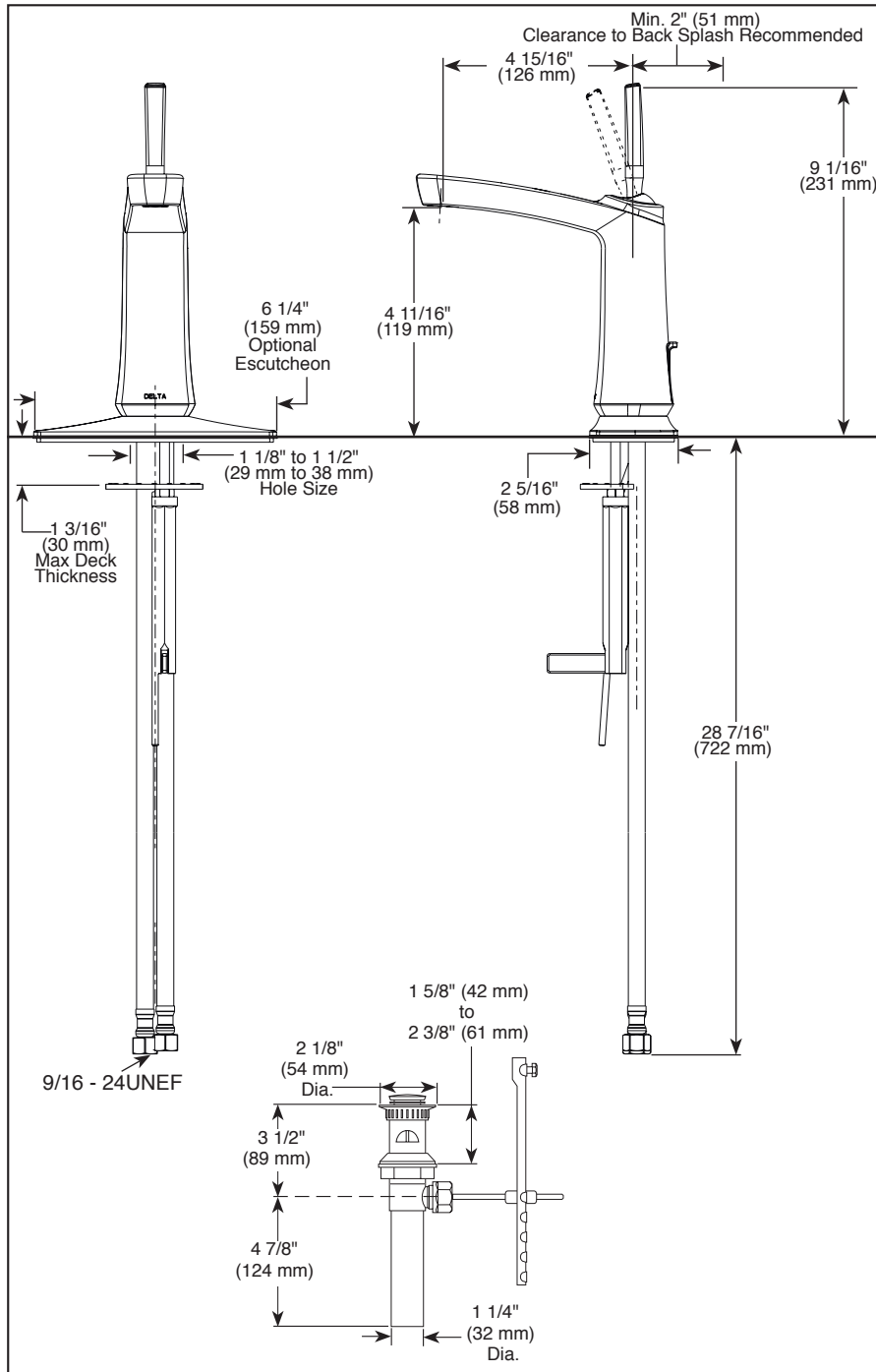
COMPLIES WITH:

- ASME A112.18.1 / CSA B125.1
- ASME A112.18.2 / CSA B125.2
- Indicates compliance to ICC/ANSI A117.1 - Valve control only
- EPA WaterSense®



Submitted Model No.: _____

Specific Features: _____



▲ Designate Proper Finish Suffix

Delta reserves the right (1) to make changes in specifications and materials, and (2) to change or discontinue models, both without notice or obligation. Dimensions are for reference only. See current full-line price book or www.deltafaucet.com for finish options and product availability.

DSP-L-15989LF Rev. B

Delta Faucet Company

55 E. 111th Street, Indianapolis, IN 46280
350 South Edgeware Road, St. Thomas, ON N5P 4L1
© 2020 Delta Faucet Company