

see what Delta can do™

LAVATORY FAUCET

- Leland® Collection
- Single Handle Deck Mount

FEATURES:

- Diamond Seal® Technology

STANDARD SPECIFICATIONS:

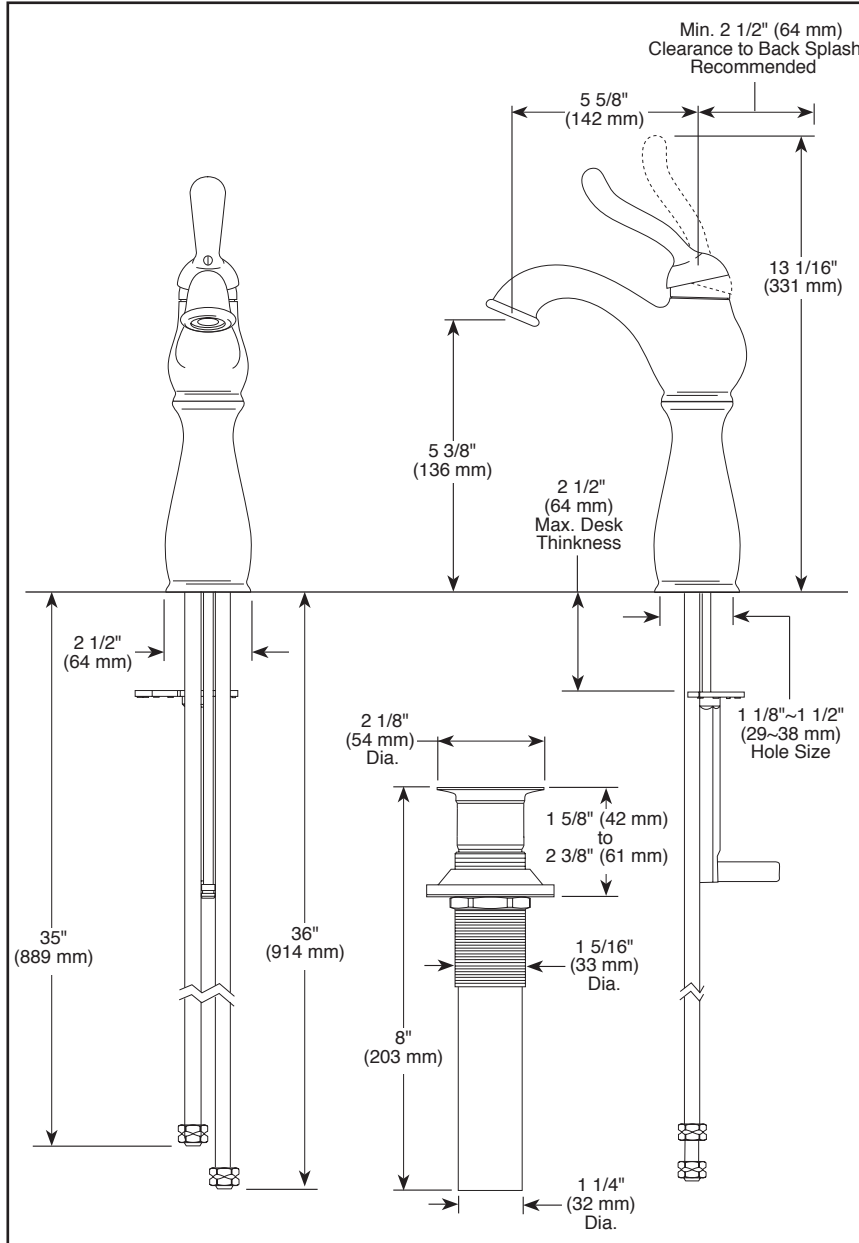
- Max. flow rate 1.5 gpm @ 60 psi, 5.7 L/min @ 414 kPa
- Solid brass cast body
- One hole mount
- Control handle shall return to neutral position when valve is turned off
- Control mechanism is the diamond coated embedded ceramic disc cartridge
- 3/8" O.D. straight, staggered PEX supply tubes.
- Models include finished 6" riser
- Model 17579-DST with grid strainer assembly less over flow holes

WARRANTY

- Parts and Finish - Lifetime limited warranty; or for commercial purchasers, 10 years for multi-family residential (apartments and condominiums) and 5 years for all other commercial uses, in each case from the date of purchase.
- Electronic Parts and Batteries (if applicable) - 5 years from the date of purchase; or for commercial purchasers, 1 year from the date of purchase. No warranty is provided on batteries.

Submitted Model No.: _____

Specific Features: _____



▲ Designate proper finish suffix



COMPLIES WITH:

- ASME A112.18.1 / CSA B125.1
- ASME A112.18.2 / CSA B125.2

♿ Indicates compliance to ICC / ANSI A117.1

- EPA WaterSense®
- Verified compliant with 0.25% weighted average Pb content regulations

Delta reserves the right (1) to make changes in specifications and materials, and (2) to change or discontinue models, both without notice or obligation. Dimensions are for reference only. See current full-line price book or www.deltafaucet.com for finish options and product availability.

DSP-L-579-DST Rev. F

Delta Faucet Company

55 E. 111th Street, Indianapolis, IN 46280
 350 South Edgeware Road, St. Thomas, ON N5P 4L1
 © 2019 Delta Faucet Company