



# LEVELe™ WALL CLADDING SYSTEM

PRODUCT DATA





## LEVELe™ WALL CLADDING SYSTEM

PRODUCT DATA

The LEVELe Wall Cladding System was designed to accommodate a wide range of field conditions without sacrificing ease of specification, installation, maintenance, or breadth of material choices. Aluminum-framed panels with structural backing and decorative insets form the basis of the system. Four highly configurable panel styles—Minimal, Capture, Blind and Float—allow our full palette of Surfaces, as well as third-party materials, to be used as insets. Our LightPlane LED Panels also readily integrate with LEVELe. Interior and exterior corners, bases, and self-revealing extruded aluminum mounting channels complete the system.

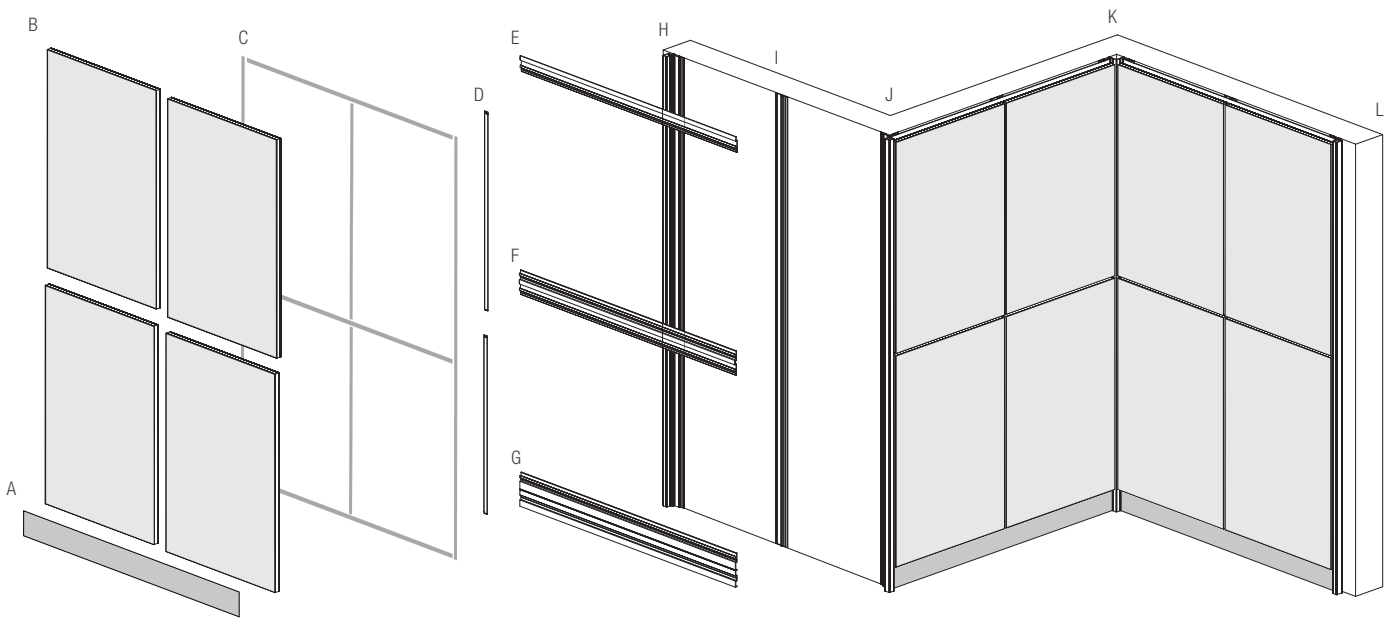
For design continuity throughout a space, the LEVELe Wall Cladding System coordinates with our LEVELe Columns and LEVELe Elevator Interiors. In addition, many of the high-performance F+S materials available for LEVELe are also available with F+S doors, door frames, elevator door skins, sheet goods and more.

The LEVELe Wall Cladding System can be specified for many field conditions. Panel shapes and sizes can vary according to specification and field requirements. LEVELe wall panels and corner components have sufficient tolerances built into them to accommodate the majority of out-of-square conditions or other dimensional irregularities.

### STANDARD COMPONENTS

Panels, Panel Subsystem, Base, Corners, and End Stops

### LEVELe WALL CLADDING SYSTEM



- |                      |                          |
|----------------------|--------------------------|
| A. Base Facing       | H. End Stop              |
| B. Panels            | I. Hat Channel Extrusion |
| C. Reveal Tape       | J. Outside Corner        |
| D. Hat Channel Cover | K. Inside Corner         |
| E. Top Cleat         | L. End Stop              |
| F. Wall Reveal Cleat |                          |
| G. Base Cleat        |                          |



# LEVELe™ WALL CLADDING SYSTEM

PRODUCT DATA

## STANDARD INSET MATERIAL OPTIONS

VIVIDGLASS	CASTGLASS LEVELS GLASS	STAINLESS STEEL
VividGlass laminated glass has tremendous creative potential. Offering numerous ways to transform spaces with colors, patterns and graphics, many of our VividGlass designs can be specified as panel insets including selections from our ViviChrome, ViviGraphix, ViviSpectra, ViviStone, ViviStrata and ViviTela families. Please refer to the individual VividGlass Product Data Sheets for swatches and additional information.	CastGlass Levels glass is artisanal kiln cast glass laminated with color and graphic interlayers. Three Levels families, each with its own textural aesthetic, bring creative plays of color, texture and light to walls, columns, elevator interiors and more. Please refer to the individual Classic Levels, Profile Levels, and Intervals Levels Product Data Sheets for design swatches and additional information.	Stainless Steel in all of our standard finishes can be specified for panel insets. A variety of optional patterns, applied to the stainless steel/finish combination, can also be specified for added visual interest and enhanced functionality. Impression and Fusion patterns bring dimension to the surface; eco-friendly Eco-Etch patterns offer a wide array of standard designs and vast customization potential. Please refer to the Stainless Steel Product Data Sheet for finish and pattern swatches and additional information.
FUSED METAL	ELEMENTAL METAL	LINQ WOVEN METAL
Fused Metal is Forms+Surfaces' exclusive line of colored stainless steel. Created by fusing titanium alloys to the stainless substrate at the molecular level, Fused Metal provides the durability and low maintenance of stainless steel in a rich range of colors. Please refer to the Fused Metal Product Data Sheet for color, finish, and pattern swatches and additional information.	Elemental Metal pairs the performance benefits of stainless steel with the timeless beauty of oxidized metal. The finishing process creates organic variations in the material's appearance while also increasing the fingerprint resistance and maintenance ease of the material. These fluctuations in tone add visual depth and result in subtle shifts across individual sheets and from one sheet to the next. The standard color is Elemental Carbon. Please refer to the Elemental Metal Product Data Sheet for details.	Linq is Forms+Surfaces' answer to woven metal. CrossLinq patterns consist of flat and/or round wires interwoven to create distinctive textures and designs. CrossLinq patterns emphasize Stainless Steel, though Brass may be specified on a per-project basis. Please refer to the Linq Product Data Sheet for additional information.
BONDED METAL	BONDED QUARTZ	WOOD VENEER
Bonded Metal castings are light in weight yet extremely durable. The material's high relief, highly detailed surfaces have the character and appearance of solid metal. A wide range of patterns, metal colors and patinas offer a striking breadth of design possibilities. Please refer to the Bonded Metal Product Data Sheet for complete information.	Bonded Quartz combines ceramic microspheres and a fiber-reinforced polymer matrix to form a material that is lightweight, durable and easy to clean. Standard colors are White and Charcoal; custom colors are also available. A variety of sculptural patterns complete the design options. Please refer to the Bonded Quartz Product Data Sheet for complete information.	Our natural wood veneers are finished with three coats of polyurethane for superior abrasion resistance while maintaining all the richness and authenticity of genuine wood. Please refer to the Wood Veneer Product Data Sheet for material options and additional information.

## PANEL TYPE AND INSET MATERIAL OPTIONS

	MINIMAL PANEL***	CAPTURE PANEL***	BLIND PANEL	FLOAT PANEL
VIVIDGLASS	•	•	•	
CASTGLASS LEVELS GLASS		•		
STAINLESS STEEL	•	•	•	•
FUSED METAL	•	•	•	•
ELEMENTAL METAL	•	•	•	•
LINQ WOVEN METAL*		•		
BONDED METAL**	•	•		
BONDED QUARTZ**	•	•		
WOOD VENEER	•	•		•
THIRD PARTY INSET MATERIALS	Customers sometimes wish to specify their own inset materials to match lobby walls or other areas on specific projects. This is generally feasible, provided the materials meet certain dimensional requirements. Please call for more information.			

\*Some patterns may require a backing material for use in the Wall Cladding System.

\*\*If Carbon, Champagne, Chardonnay, Crinkle, Dune, Kalahari, Mara or Waterfall patterns are selected, Capture panel frames must be used.

\*\*\*Minimal and Capture panels are also available in our LEVELe Elevator Interiors and Column System.

T 1.800.451.0410 | F 412.385.4715 | www.forms-surfaces.com

**FORMS+SURFACES®**

© 2021 Forms+Surfaces® | All dimensions are nominal. Specifications and pricing subject to change without notice. For the most current version of this document, please refer to our website at www.forms-surfaces.com.

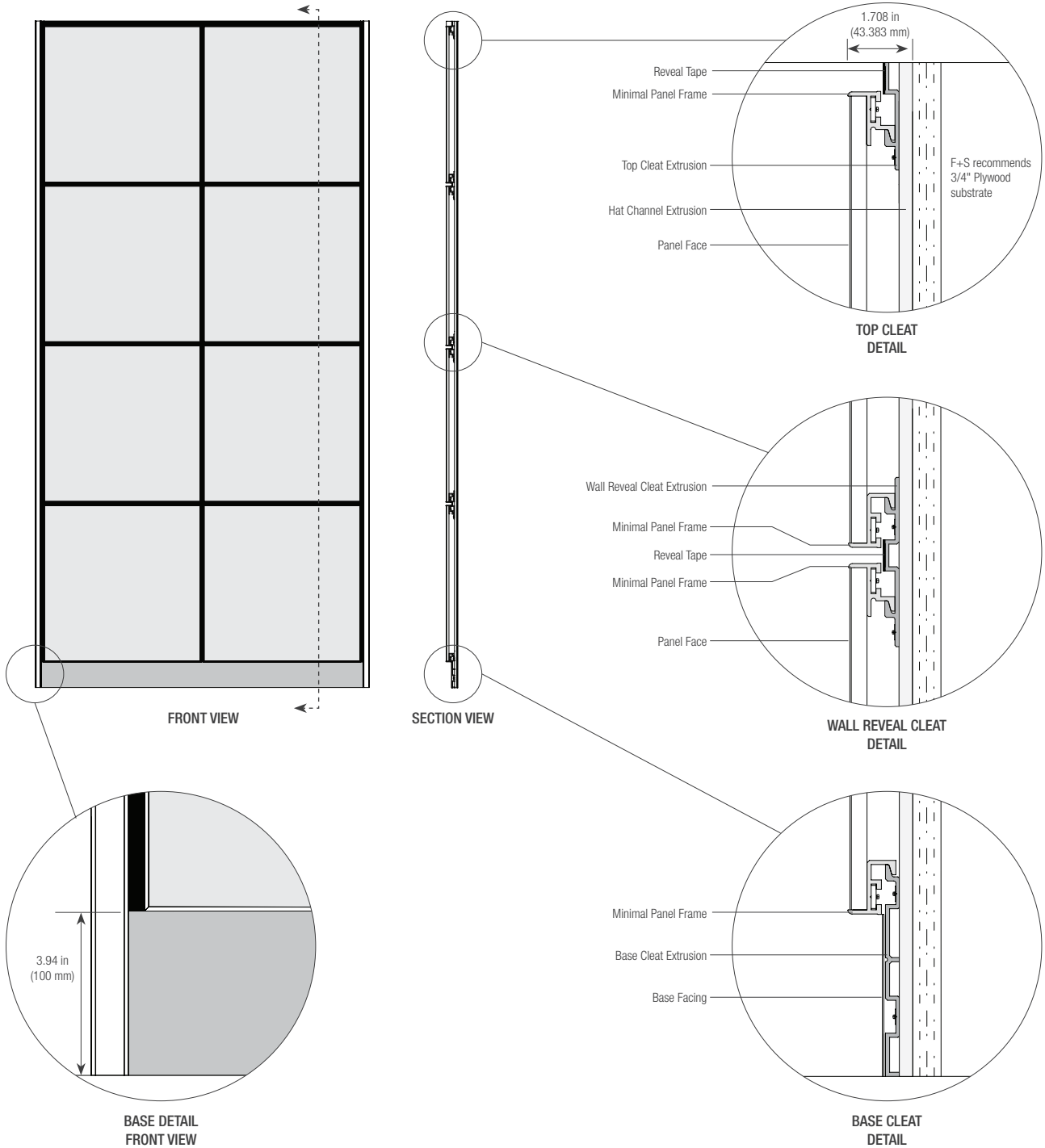


# LEVELe™ WALL CLADDING SYSTEM

PRODUCT DATA

## STANDARD WALL SYSTEM DETAILS

Panel details shown are for Minimal panels and will vary for Capture, Blind, and Float panels. System components are the same for all panel types.



T 1.800.451.0410 | F 412.385.4715 | www.forms-surfaces.com

**FORMS+SURFACES®**

© 2021 Forms+Surfaces® | All dimensions are nominal. Specifications and pricing subject to change without notice. For the most current version of this document, please refer to our website at www.forms-surfaces.com.



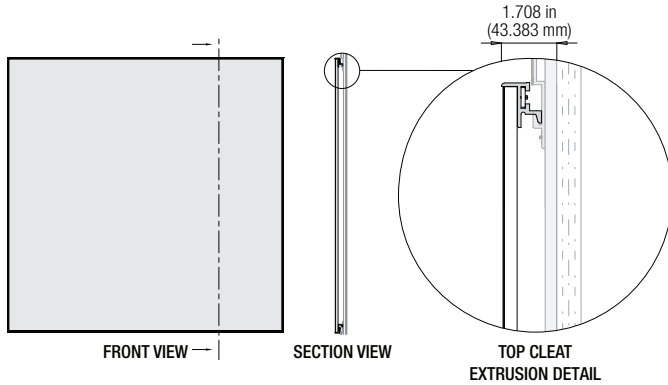


# LEVELe™ WALL CLADDING SYSTEM

PRODUCT DATA

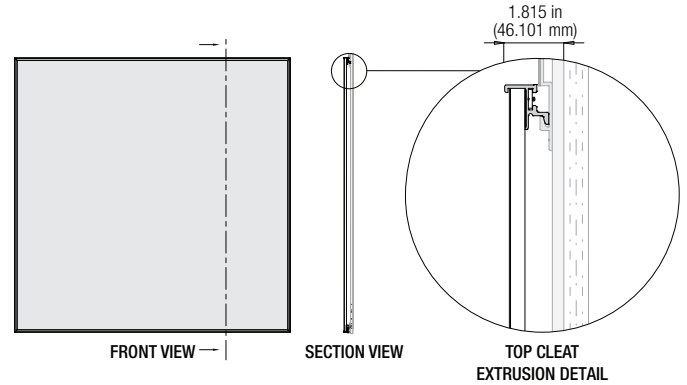
## MINIMAL PANEL

Minimal panels have a narrow frame detail, forming a minimal appearance around the inset material.



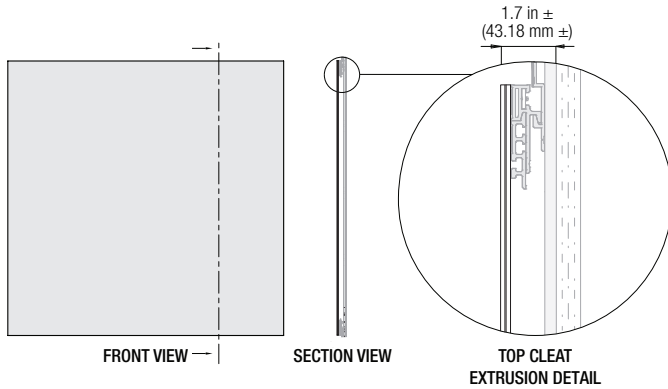
## CAPTURE PANEL

Capture panels accommodate thicker, heavier materials, such as glass, that require a frame with a capture edge.



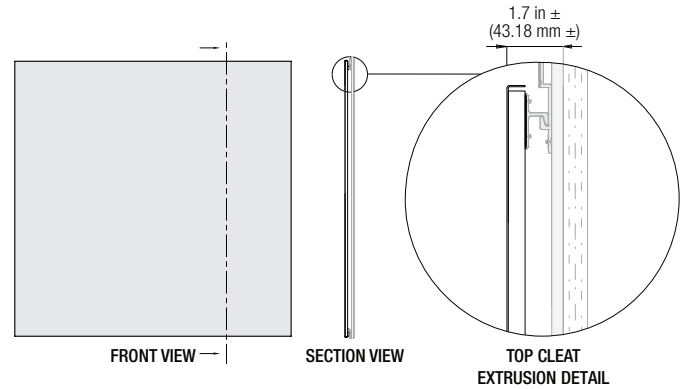
## BLIND PANEL

The Blind panel framing system is not visible from the front of the panel, helping to create the illusion of material thickness.



## FLOAT PANEL

Float panels incorporate a non-visible framing system that leaves panel edges exposed.








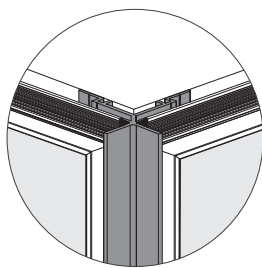
# LEVELe™ WALL CLADDING SYSTEM

PRODUCT DATA

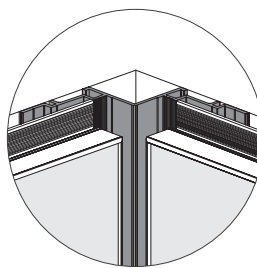
## SYSTEM COMPONENTS

<p><b>PANELS</b></p> <ul style="list-style-type: none"> <li>Panel frames are extruded aluminum. All panel frame corners are mitered.</li> <li>Minimal and Capture panel frames are available in Clear, Black, or Antique Bronze anodized finishes.</li> <li>Float and Blind panel frames are not visible from the front of the panel and are available in Black anodized finish only.</li> <li>Panel insets consist of a decorative face material bonded to a structural substrate. Inset material options vary by panel type. (Refer to table on page 2)</li> </ul>	 <p>CLEAR ANODIZED</p>	 <p>BLACK ANODIZED</p>	 <p>ANTIQUE BRONZE ANODIZED</p>
<p><b>PANEL SUBSYSTEM</b></p> <ul style="list-style-type: none"> <li>LEVELe panels incorporate a self-revealing mounting system. See page 1 for panel subsystem components.</li> <li>Reveals are extruded aluminum and are standard in black; other colors are available for an additional fee.</li> <li>Standard bases consist of a stainless steel, Elemental Metal, or Fused Metal cover applied to an extruded aluminum substrate with pre-applied mounting adhesive. Stainless steel, Elemental Metal, and Fused Metal finish options are available in the LEVELe Wall Cladding Systems Design Guide. If you would like to use your own base, the system can be provided without a base.</li> </ul>			
<p><b>CORNERS &amp; END STOPS</b></p> <p>Outside Corners</p> <ul style="list-style-type: none"> <li>Minimal &amp; Capture Panels: extruded aluminum corners are available in Clear, Black or Antique Bronze anodized finishes to match panel frames.</li> <li>Blind &amp; Float Panels: extruded aluminum corners are available in Clear or Black anodized finish. Facing material that complements the panel inset material is also an option; contact F+S for details.</li> </ul> <p>Inside Corner</p> <ul style="list-style-type: none"> <li>Minimal &amp; Capture Panels: 90° angled extruded aluminum corners are available in Clear, Black or Antique Bronze anodized finishes to match panel frames.</li> <li>Blind &amp; Float Panels: 90° angled extruded aluminum corners are available in Black anodized finish.</li> </ul> <p>End Stops</p> <ul style="list-style-type: none"> <li>Minimal &amp; Capture Panels: extruded aluminum end stops are available in Clear, Black or Antique Bronze anodized finishes to match panel frames.</li> <li>Blind &amp; Float Panels: extruded aluminum end stops are available in Clear or Black anodized finishes. Facing material that complements the panel inset material is also an option; contact F+S for details.</li> </ul>			

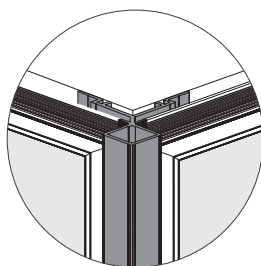
## CORNER & END STOP DETAILS



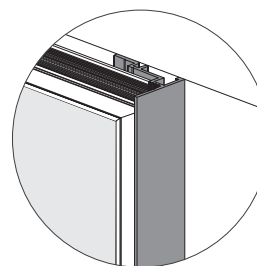
OUTSIDE OPEN CORNER



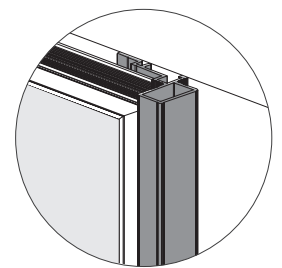
INSIDE CORNER



OUTSIDE CLOSED CORNER



.125" END STOP



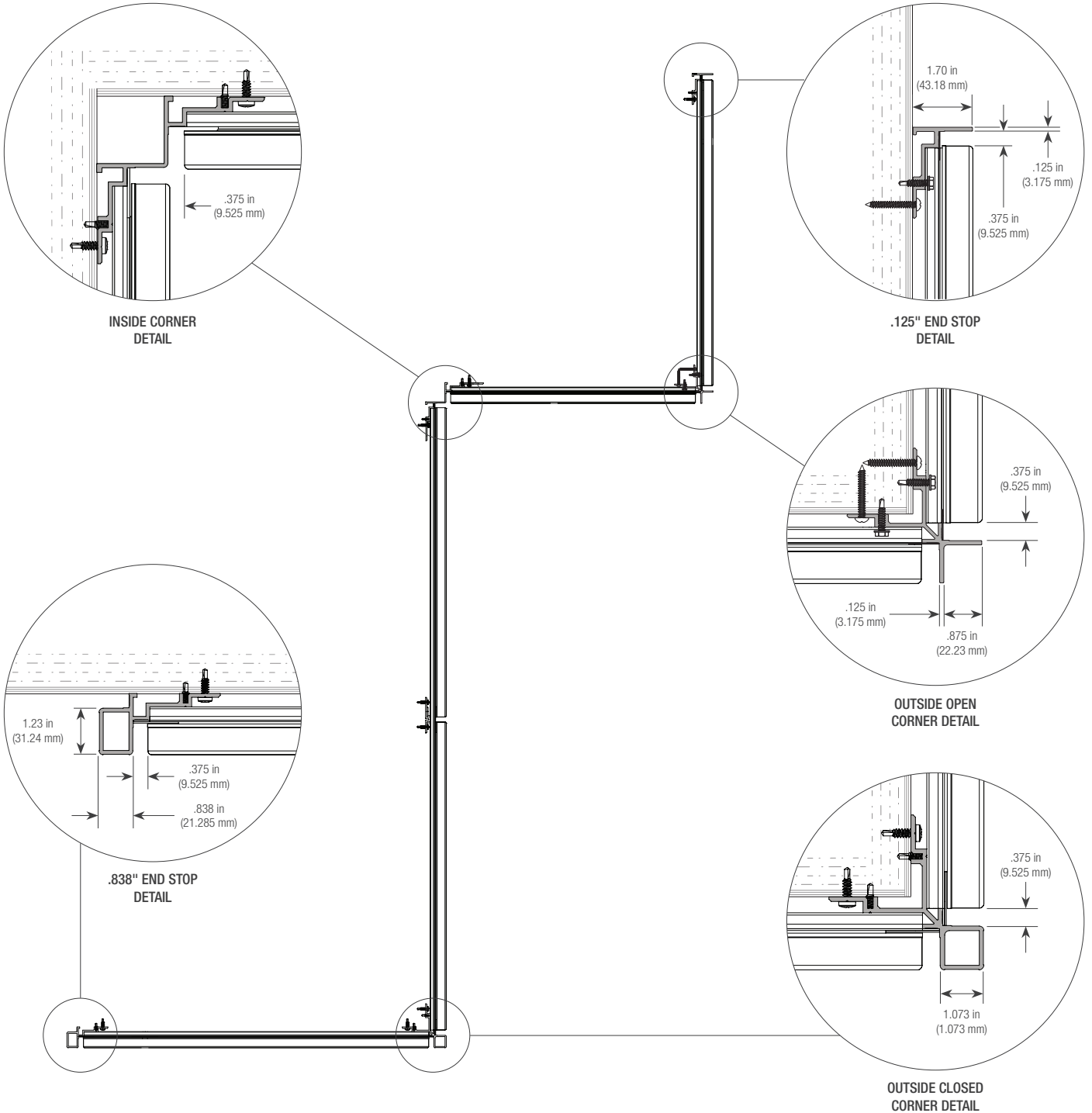
.838" END STOP



# LEVELe™ WALL CLADDING SYSTEM

PRODUCT DATA

## CORNER & END STOP DETAILS



T 1.800.451.0410 | F 412.385.4715 | [www.forms-surfaces.com](http://www.forms-surfaces.com)

**FORMS+SURFACES®**

© 2021 Forms+Surfaces® | All dimensions are nominal. Specifications and pricing subject to change without notice. For the most current version of this document, please refer to our website at [www.forms-surfaces.com](http://www.forms-surfaces.com).



# LEVELe™ WALL CLADDING SYSTEM

PRODUCT DATA

## DELIVERY & INSTALLATION

DELIVERY	WALL PANEL INSTALLATION	PANEL REPLACEMENT
Wall panels, bases and reveals for each Individual wall arrive in a single crate, unless glass panels are required. Glass or LightPlane Panels will be packaged separately in A-frame crates, making it easy to organize materials on site. The crate arrives with components neatly organized and includes all the necessary fasteners, adhesives and installation instructions.	<p>LEVELe installation is designed to be straight-forward and efficient. Many field conditions can be accommodated by adhering to the following installation sequence.</p> <ul style="list-style-type: none"> <li>• First, the vertical hat channel extrusions are attached with self-tapping screws, shimmed as required to establish a planar basis for the wall cladding system.</li> <li>• The corner extrusions are set next and leveled to the plane just created.</li> <li>• Next, the base cleat extrusion is installed, followed by the wall reveal cleat extrusion, and finishing with the top cleat, working up the wall.</li> <li>• Vertical reveals are then attached in the corners and affixed to the hat channels.</li> <li>• Lastly, the panels are engaged via a French cleat system. Note: panels can be installed and replaced independently and in any order.</li> </ul>	If panels are ever damaged due to accident or vandalism, replacement panels can be ordered from Forms+Surfaces. The attachment system permits one panel to be removed without disturbing those around it, keeping downtime to a minimum.

## RELATED PRODUCTS

LIGHTPLANE PANELS	LEVELe ELEVATOR INTERIORS	LEVELe COLUMN SYSTEM
LightPlane Panels are engineered LED edge-lit panels that are a standard offering in our LEVELe Wall Cladding System - allowing you to seamlessly illuminate walls and more. LightPlane Panels have the same visible profile as Capture panels and are available exclusively with a wide range of our VividGlass and CastGlass Levels glass products. Please refer to the LightPlane Product Data Sheet for pattern options and additional information.	LEVELe Elevator Interiors incorporate Minimal and Capture panels and are available in many of the materials and finishes offered for the LEVELe Wall Cladding System. Please refer to the LEVELe Elevator Interior Product Data Sheet for additional information.	The LEVELe Column System is available in the same four panel types and the same materials and finishes as those offered for the LEVELe Wall Cladding System. Please refer to the LEVELe Column System Product Data Sheet for additional information.
DOORS	ELEVATOR DOOR SKINS	ARCHITECTURAL ACCENTS
Forms+Surfaces manufactures a full range of entrance doors and door pulls in materials and finishes that complement those offered for LEVELe Walls, Columns, and Elevator Interiors. Please refer to individual Door and Door Pull Product Data Sheets for additional information.	Forms+Surfaces Elevator Door Skins are available in many of the same materials and finishes as those offered for LEVELe Walls, Columns, and Elevator Interiors. Please refer to our Elevator Doors Product Data Sheets for additional information.	Coordinating sheet goods are available for headers, jams, returns, transoms and other architectural features. Our litter & recycling receptacles, site furnishings, and other amenities are also available in many of the materials and finishes offered for LEVELe Walls, Columns, and Elevator Interiors.

## CUSTOM WALLS

If your design requirements go beyond the standard LEVELe configurations or material and finish options, customized variations are available for an additional charge. Please call us to discuss your needs.

## TECHNICAL SUPPORT & PROJECT MANAGEMENT

Because each project is unique, our knowledgeable support team is ready to help. Our technical sales, engineering, sustainability, and project management professionals regularly assist our clients worldwide. Please contact us at 800.451.0410 or sales@forms-surfaces.com to discuss your project.

## HOW TO SPECIFY

Design Guides are available for each of the panel configurations to lead you through the specification process in a simple, checkbox format. The Design Guide captures all the information needed to generate a quote: dimensions, finishes, and other options. CSI specifications are also available on our website.