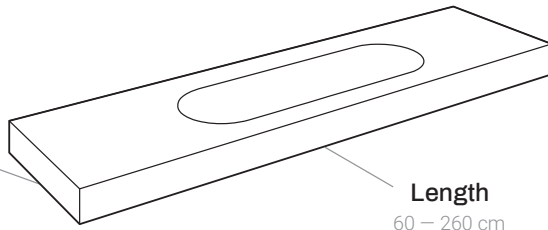


Program Washbasin

Width

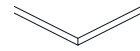
40 – 50 cm
51 – 60 cm



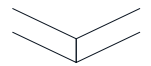
Length

60 – 260 cm

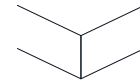
Skirt



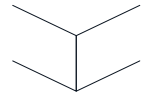
h 1,2 cm



h 3 – 10 cm



h 11 – 20 cm



h 21 – 45 cm

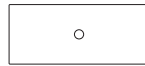
RECTANGULAR



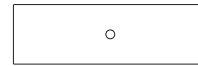
S23 25 x 35 x 14h



S1 30 x 40 x 14h



S2 30 x 70 x 14h



S3 31 x 100 x 14h

RECTANGULAR T



S4 30 x 40 x 14h



S5 30 x 70 x 14h



S6 31 x 100 x 14h

CITY 14



S30 22 x 35 x 14h



S24 25 x 40 x 14h



S7 31 x 50 x 14h



S8 31 x 80 x 14h



S9 31 x 100 x 14h

CITY 10



S35 22 x 35 x 10h



S34 25 x 40 x 10h



S31 31 x 50 x 10h



S32 31 x 80 x 10h



S33 31 x 100 x 10h

LINE



S10 30 x 50 x 9h



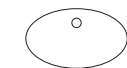
S11 30 x 50 x 9h



S12 30 x 75 x 9h



S13 30 x 75 x 9h

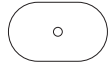


S14 29 x 50 x 14h

COLISO 14



S25 25 x 40 x 14h



S15 30 x 50 x 14h



S16 31 x 100 x 14h



S26 30 x 30 x 13h

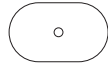


S17 39 x 39 x 13h

COLISO 10



S38 25 x 40 x 10h



S36 30 x 50 x 10h



S37 31 x 100 x 10h



S40 30 x 30 x 10h

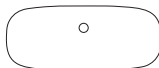


S39 39 x 39 x 10h

BETA



S18 33 x 54 x 14h



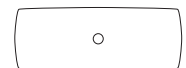
S19 34 x 80 x 14h



S20 34 x 34 x 14h



S21 30 x 50 x 14h

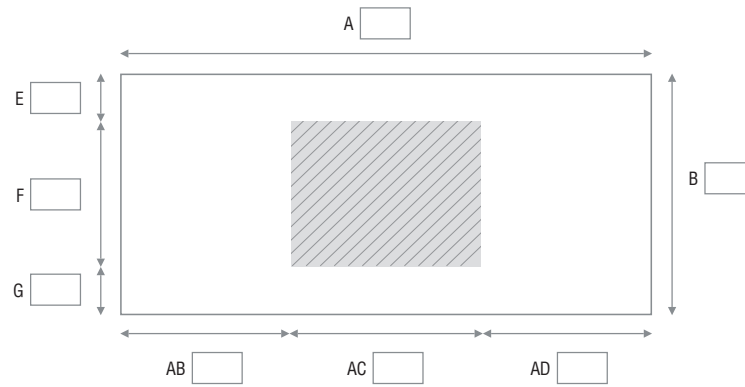


S22 31 x 80 x 14h

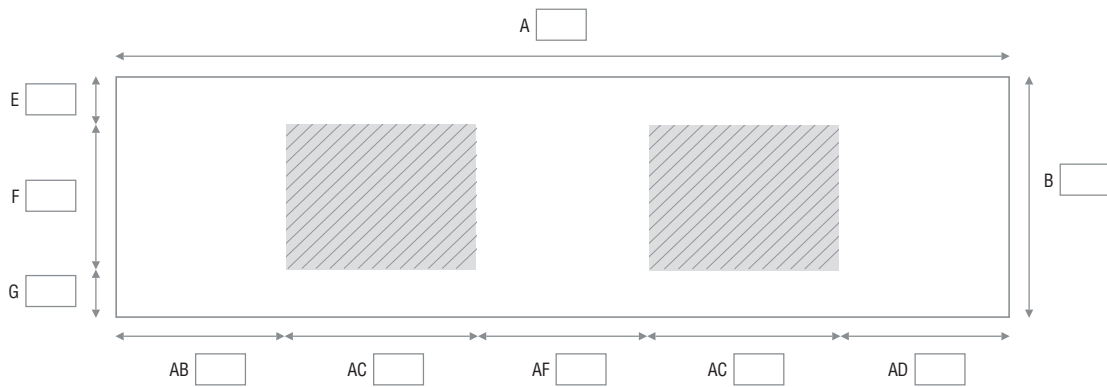
ESFERA

ARCO

1 BASIN



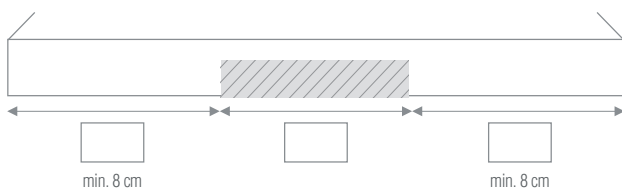
2 BASINS



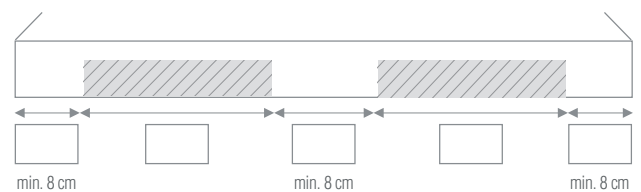
MINIMUM SPECIFICATIONS FOR POSITION OF BASIN

	h = 1,2		h = 3-45		h = 1,2		h = 3-45	
	without faucetry	with faucetry	without faucetry	with faucetry	without wall mounts	with wall mounts		
E	4	8	4	8	AB/AD	4	5	10
G	4	4	6	6	AF	10	10	10

1 TOWEL RAIL ON FRONT SIDE

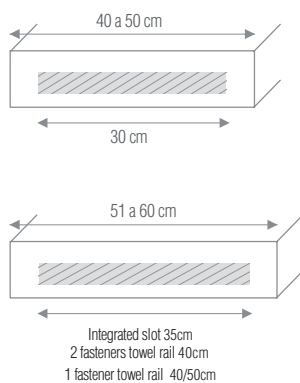


2 TOWEL RAILS ON FRONT SIDE

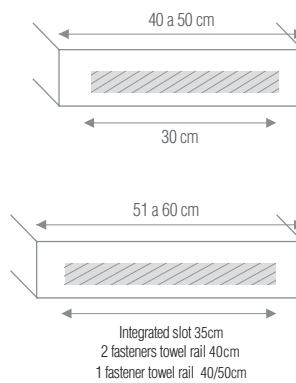


Integrated slot 35/45 cm
 Towel rail: Stn. steel under countertop 30/40/50 cm
 2 fasteners towel rail 30/40/50 cm
 1 fastener towel rail 30/40/50 cm

TOWEL RAIL ON LEFT-HAND LATERAL SIDE



TOWEL RAIL ON RIGHT-HAND LATERAL SIDE

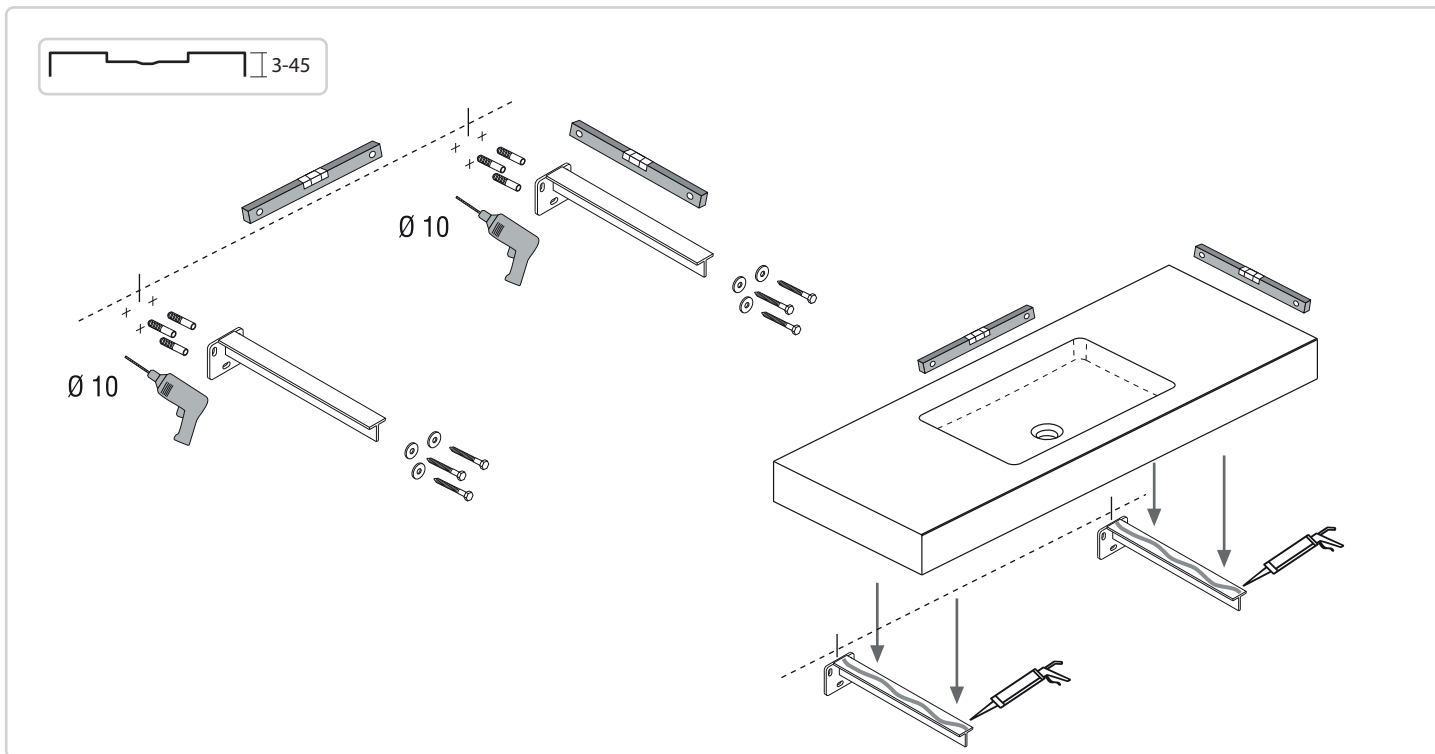


Integrated slot
 2 fasteners towel rail
 1 fastener towel rail

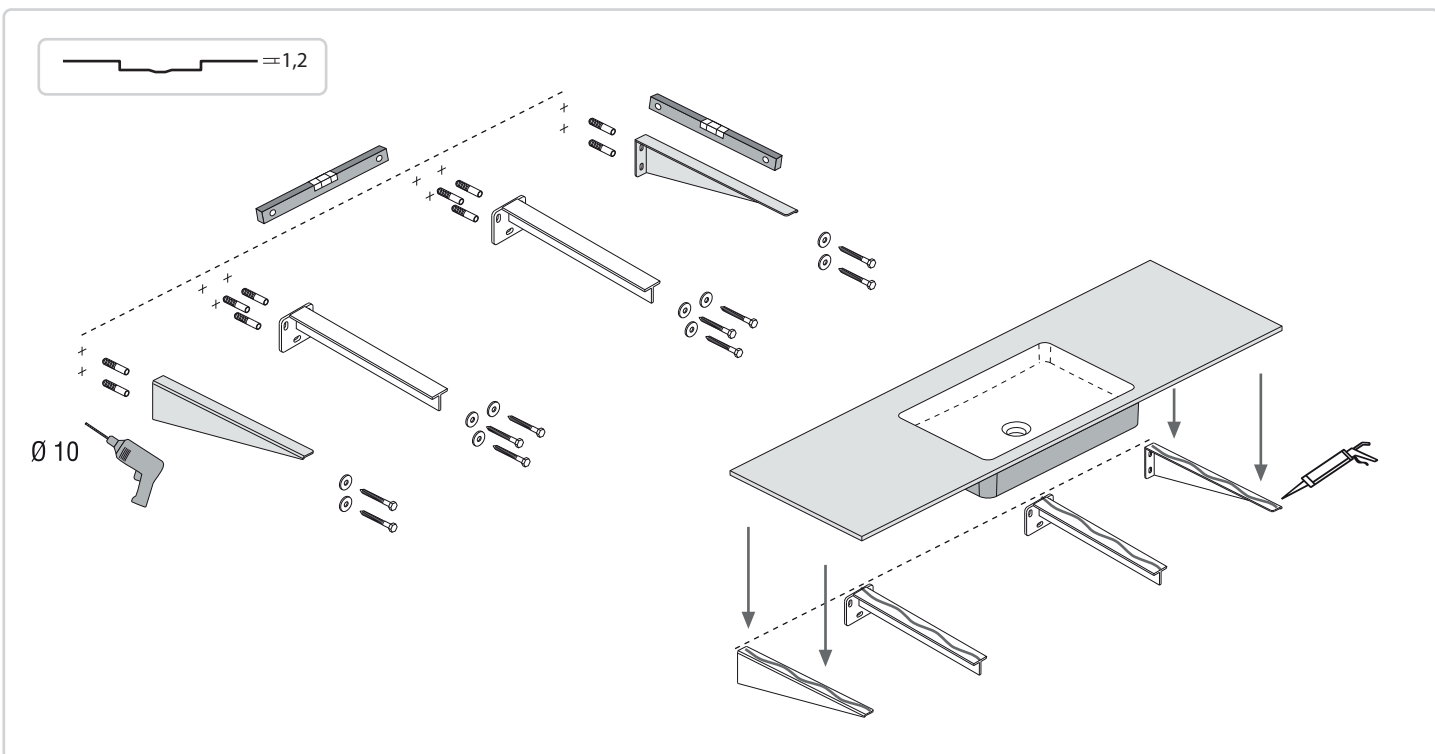
Installation

Program Washbasin

1



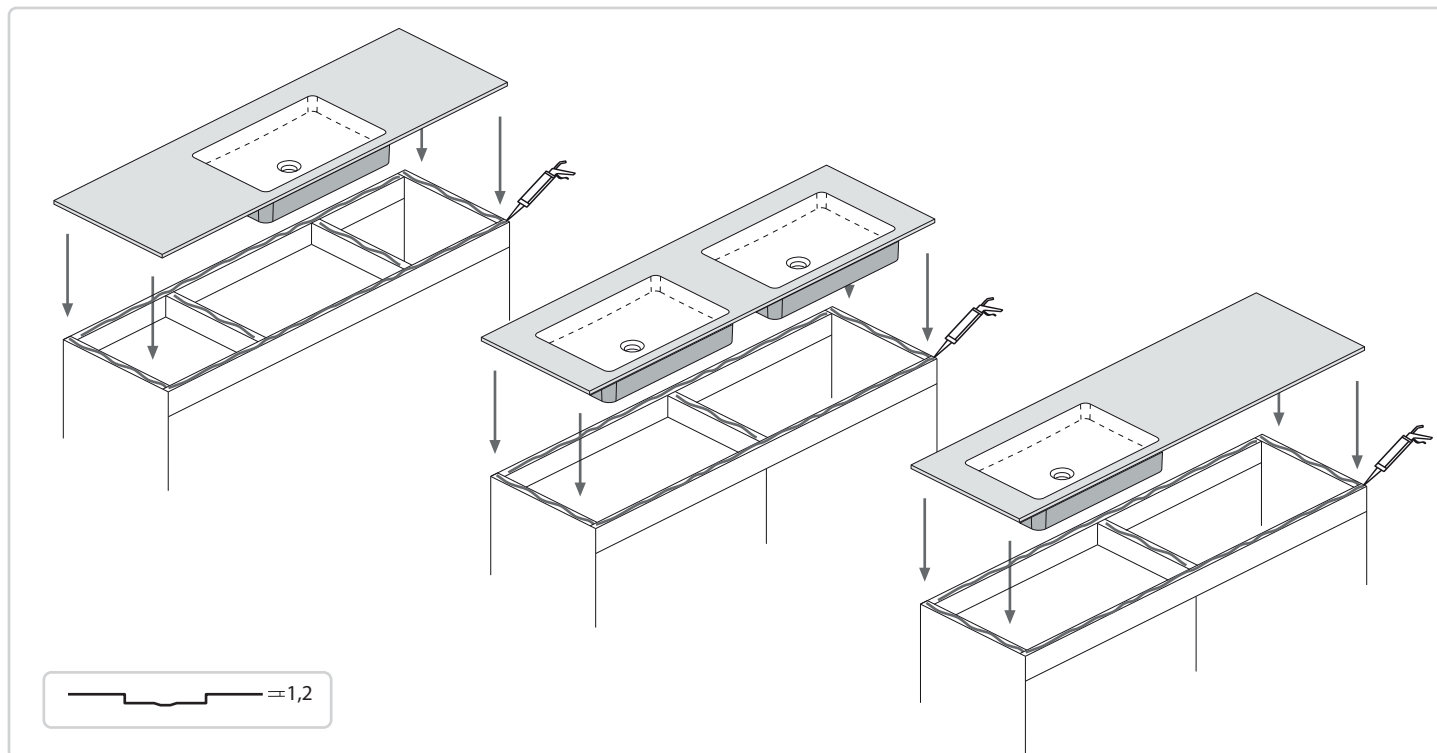
1.2



Installation

Program Washbasin

1.3



Adhesives and others

(supplied by hidrobox)



Silicone sealant

310 ml cartridge