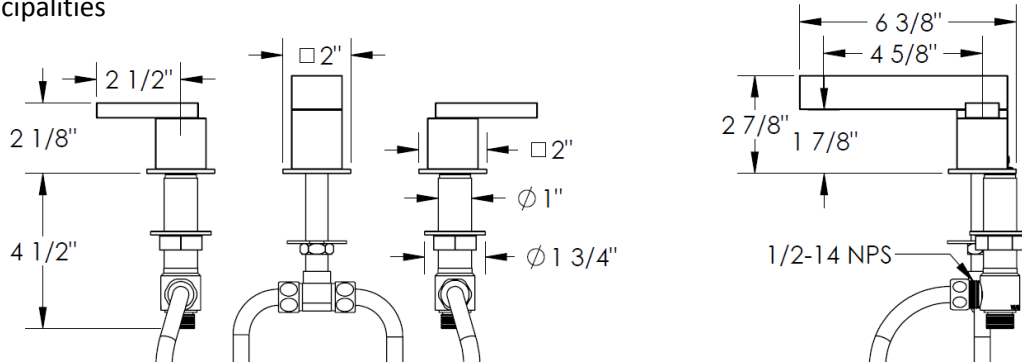


## FEATURES

- ¼ turn washerless ceramic disc valve cartridges
- Flexible hose connection for 8" to 16" spread installations
- Flow rate 1.2 gpm (4.5 lpm) maximum flow rate
- Solid brass construction
- Listed by IAPMO, CSA, NSF, and other municipalities
- Warranty:
  - Limited lifetime warranty (residential use)
  - One year (commercial use)
- Shipping weight (lbs.) 10
- Shipping dimensions (in.): 29x12x4



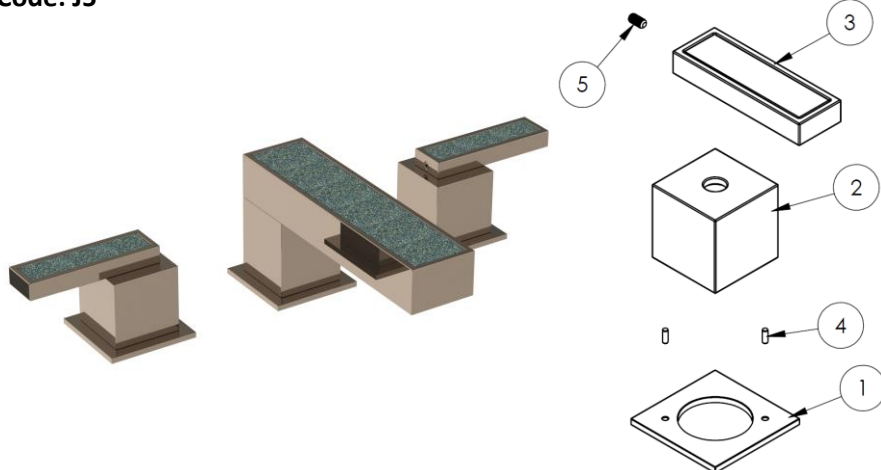
ITEM NO.	PART NUMBER	
1	D5-ESC-RING	1
2	WIN-2-SPT-BASE	1
3	NEOPERL CACHE REGULAR	1
4	CRT-502 (HOT/COLD)	2
5	SS-502-VALVE-BODY	2
6	502-PLSTC-LOCK-NUT	2
7	502-COMP-NUT	2
8	142-LOCK-NUT	1
9	142-TEE-GSKT	1
10	142-TEE	1
11	142-HRS-SHOE-WSHR	1
12	97-2-SPT-ASSY	1
13	SUPPLY HOSE	2

### IMPORTANT INSTALLATION INFORMATION

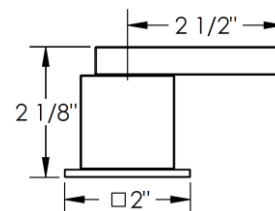
- USE TEFLON TAPE OR PIPE SEALANT FOR THREADED CONNECTIONS
- DO NOT USE PLUMBER'S PUTTY ON ANY OF THE BRASS COMPONENTS  
This will cause the finish to tarnish and void the warranty. A non-corrosive Alkoxy Silicone is recommended.
- DURING SWEATING OF LINES DO NOT OVERHEAT CASTING  
Overheating may cause damage to internal mechanism
- COPPER ADAPTORS MAY BE REQUIRED TO COMPLETE YOUR INSTALLATION

## HANDLE TRIMS

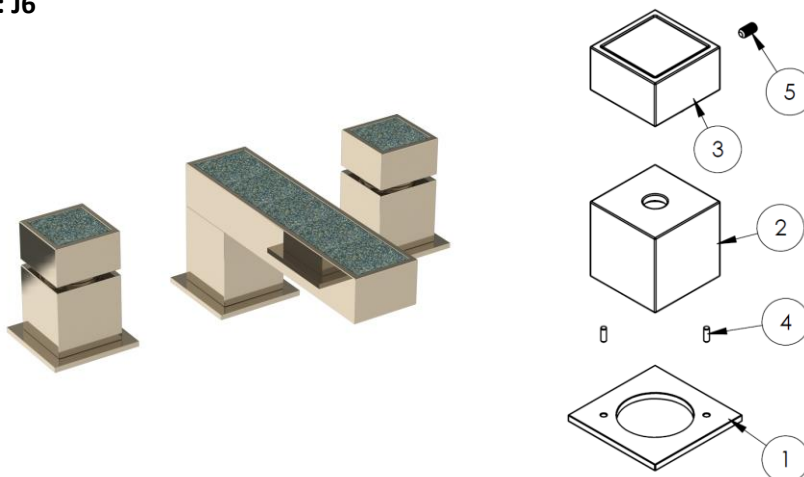
Code: J5



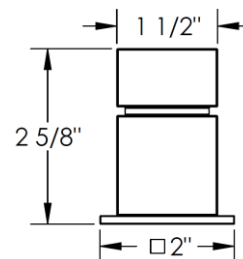
ITEM NO.	PART NUMBER	QTY.
1	D5-ESC-RING	1
2	WN4-ESC	1
3	J5-LVR	1
4	0.0938x0.266-SS-PIN	2
5	SSCUPSKT 0.164-32x0.3125-HX-S	1



Code: J6



ITEM NO.	PART NUMBER	QTY.
1	D5-ESC-RING	1
2	WN4-ESC	1
3	J6-KNOB	1
4	0.0938x0.266-SS-PIN	2
5	SSCUPSKT 0.164-32x0.3125-HX-S	1



For technical support, please call 718-257-2800