

Oh!

Waterfall Oh! Colonial
26410-CR

TECHNICAL INFORMATION

Minimal wall waterfall with inspectable cartridge and adjustable jet to the operating pressure. Colonial plate. CHROME

Flow rate:
10 l/min

FEATURES



adjustable waterfall

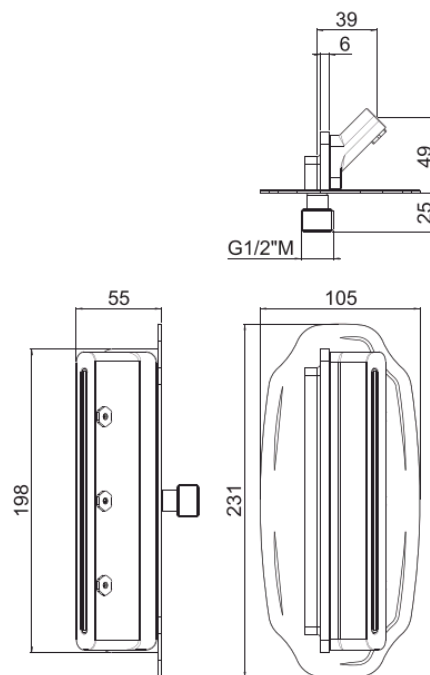


inspectable waterfall

PICTURE



TECHNICAL DRAWING



SPARE PARTS

FINISHINGS

