

Oh!

Waterfall Oh!
26100-CR

TECHNICAL INFORMATION

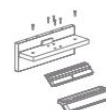
Full brass wall waterfall with inspectable cartridge and adjustable jet to the operating pressure. Square plate. CHROME

Flow rate:
10 l/min

FEATURES



adjustable
waterfall

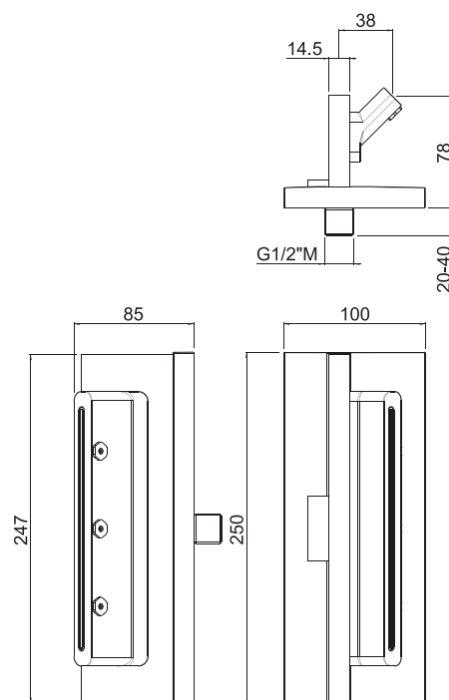


inspectable
waterfall

PICTURE



TECHNICAL DRAWING



SPARE PARTS

FINISHINGS

