

# Oh!

Waterfall Oh! New  
**26110-CR**

## TECHNICAL INFORMATION

Minimal wall waterfall with inspectable cartridge and adjustable jet to the operating pressure. Square plate. CHROME

**Flow rate:**  
10 l/min

## FEATURES



adjustable waterfall

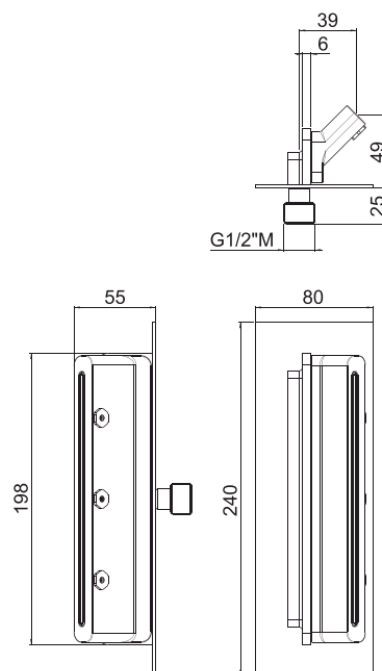


inspectable waterfall

## PICTURE



## TECHNICAL DRAWING



## SPARE PARTS

## FINISHINGS

