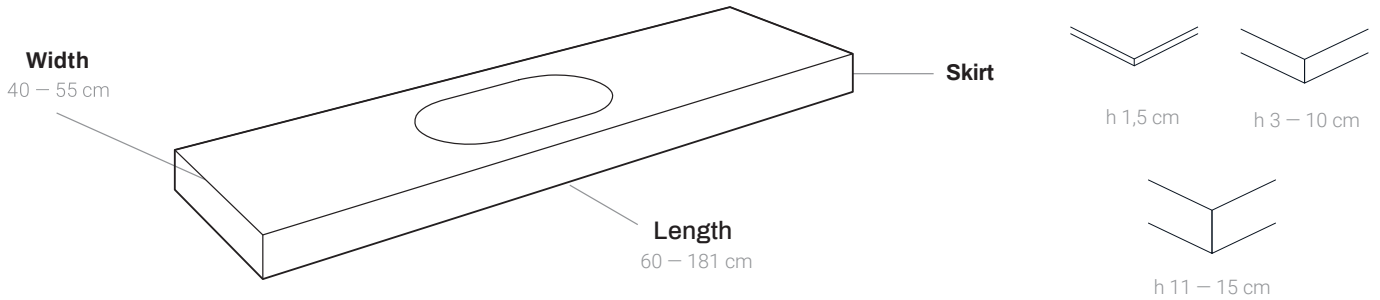


PROGRAM COLOUR

hidrobox®

Program Colour Washbasin



CITY



S27

30 x 40 x 14h

CITY



S28

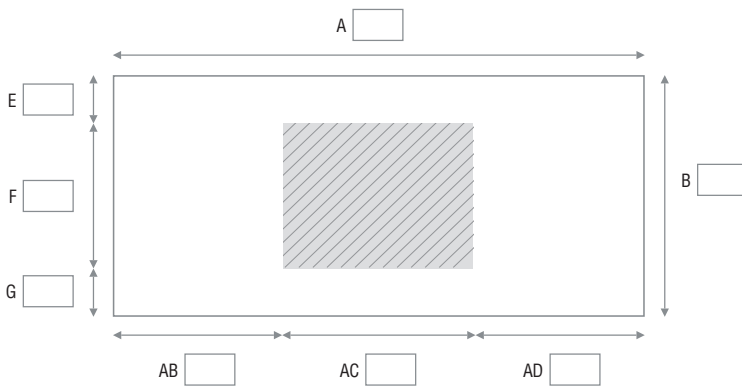
30 x 70 x 14h

COLISO



S29

30 x 50 x 14h

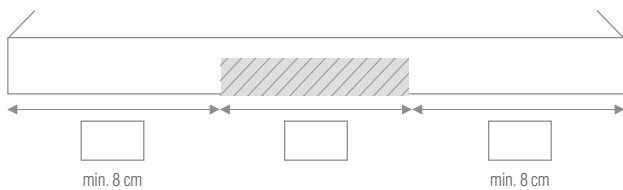


MINIMUM SPECIFICATIONS FOR POSITION OF BASIN

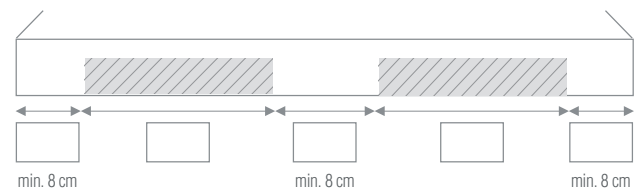
	h = 1,5		h = 3-15	
	without faucetry	with faucetry	without faucetry	with faucetry
E	5	10	5	10
G	5	5	6	6

AB/AD	h = 1,2		h = 3-45
	without wall mounts	with wall mounts	
AB/AD	5	6	11

1 TOWEL RAIL ON FRONT SIDE

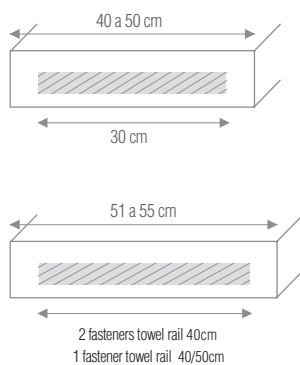


2 TOWEL RAILS ON FRONT SIDE

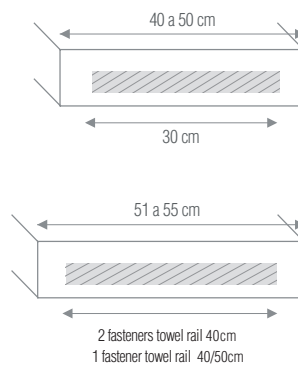


Towel rail: Stn. steel under countertop 30/40/50 cm 2 fasteners towel rail 30/40/50 cm 1 fastener towel rail 30/40/50 cm

TOWEL RAIL ON LEFT-HAND LATERAL SIDE



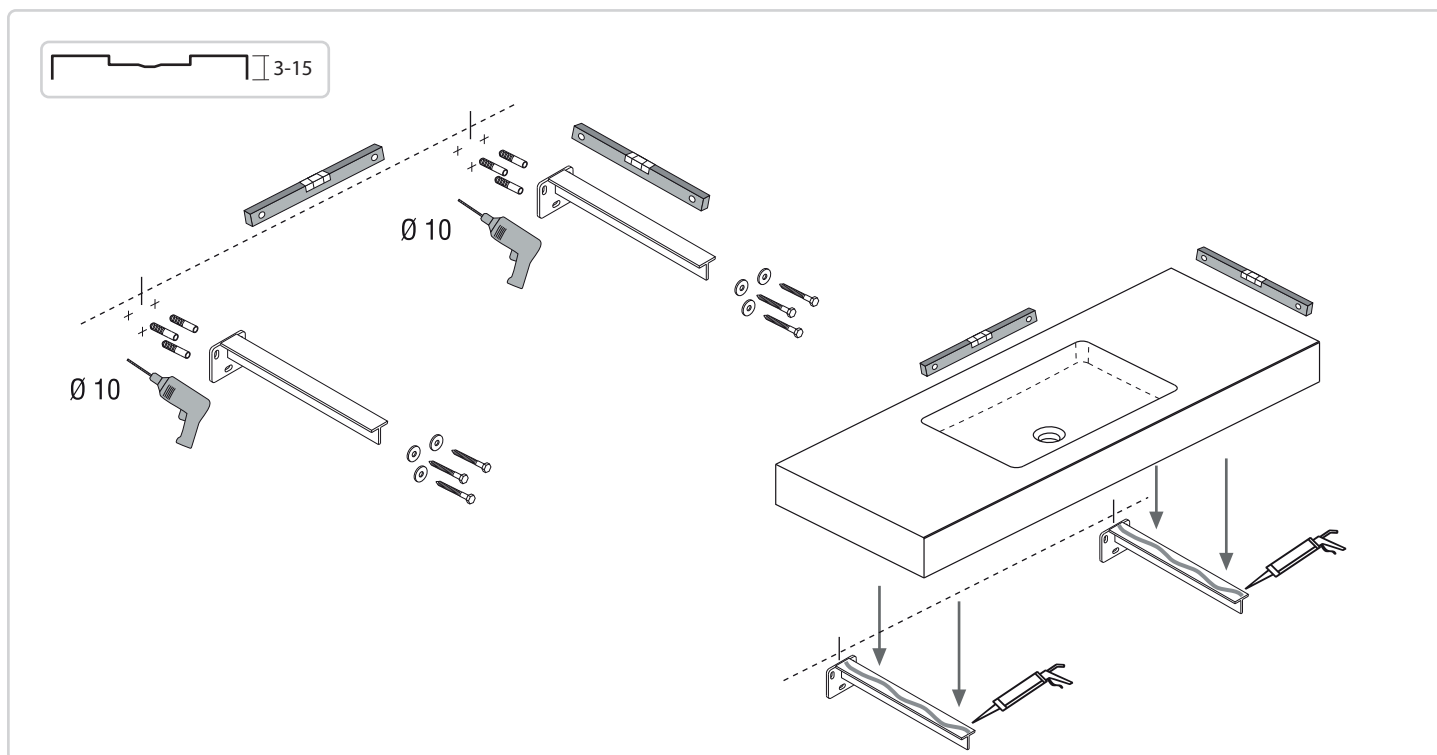
TOWEL RAIL ON RIGHT-HAND LATERAL SIDE



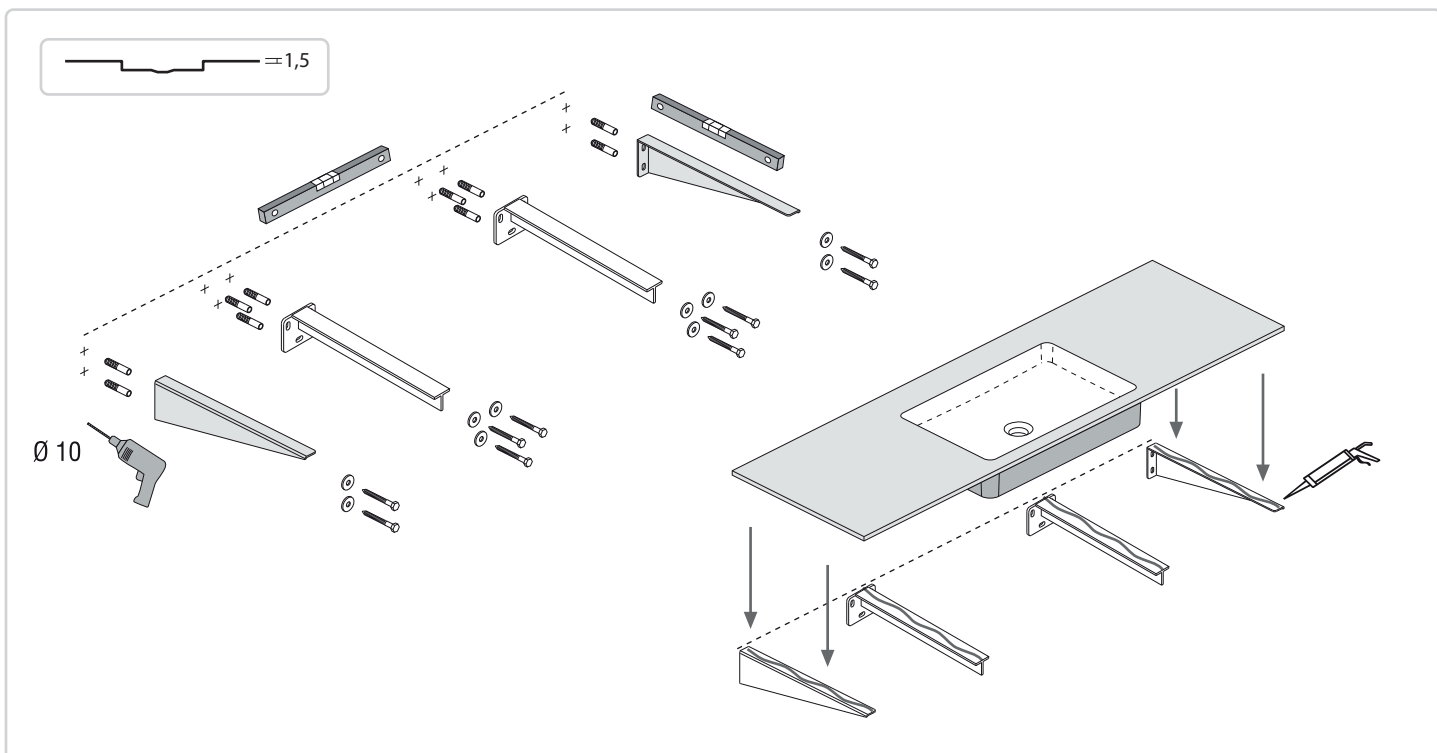
2 fasteners towel rail 1 fastener towel rail

Installation

1.1

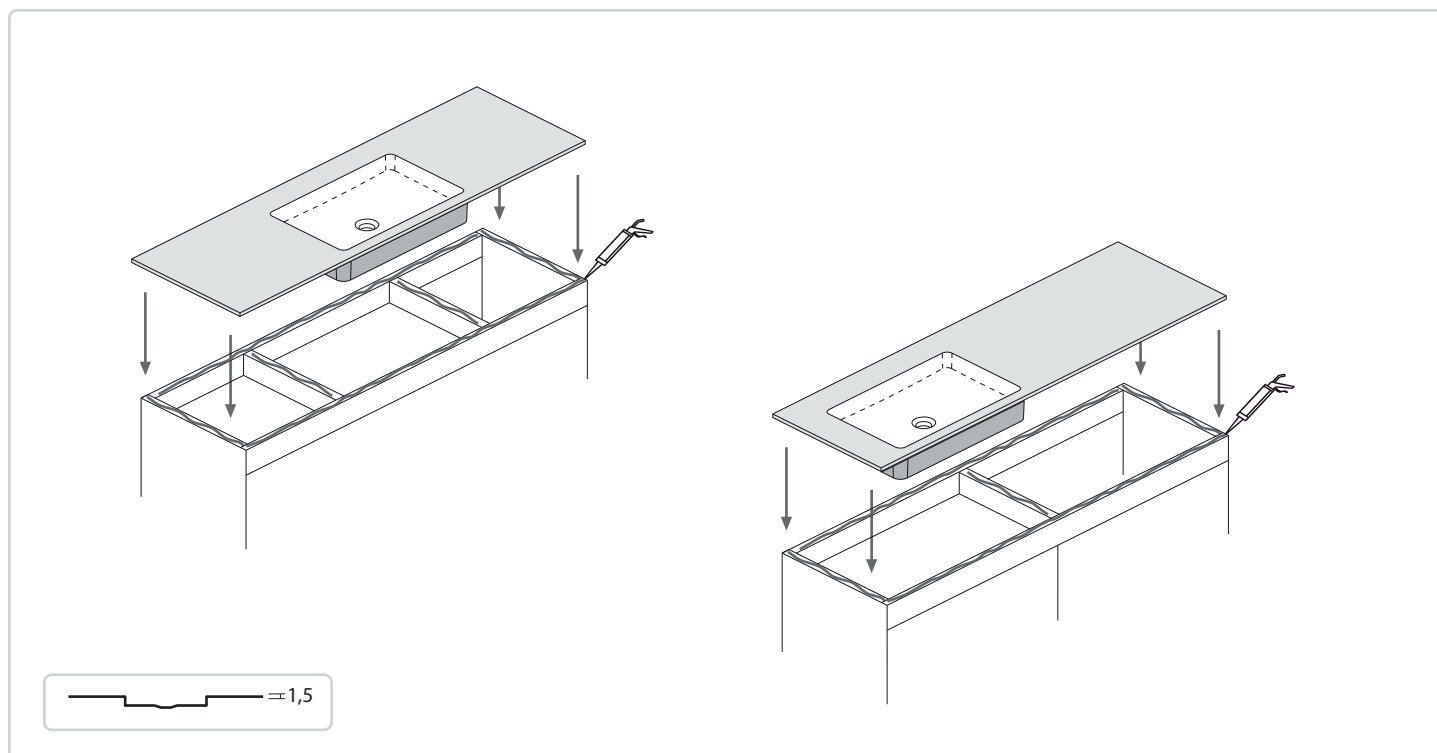


1.2



Installation

1.3



Adhesives and others (supplied by hidrobox)



Silicone sealant
310 ml cartridge