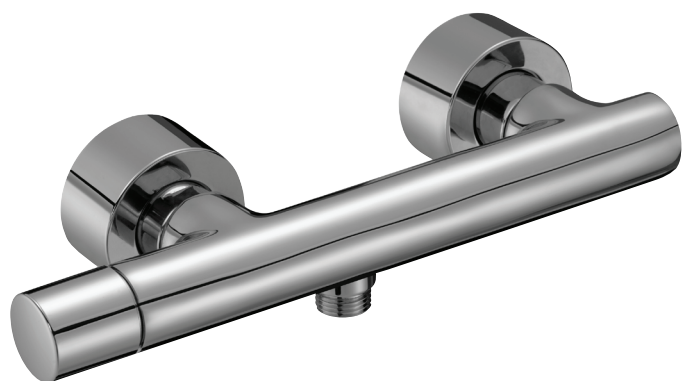
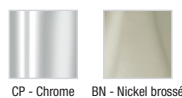


E8962



Collection: TOOBI

Finish*:



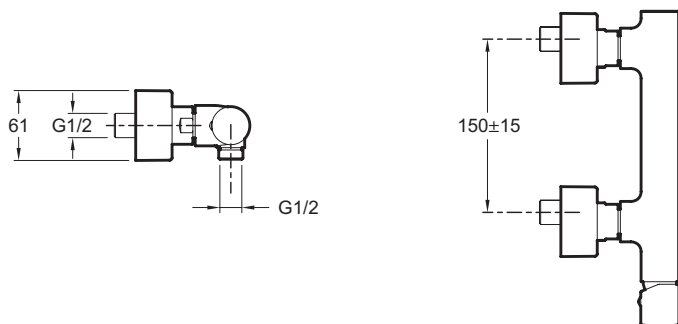
Main features:



Features

- WEIGHT: 1.7 kg
- INSTALLATION TYPE: Wall-mount
- FLOW RATE: 12 l/min under 3 bar
- MECHANISM: Ceramic disc cartridge
- INSTALLATION TYPE: 2 holes
- MECHANISM GUARANTEE: 5 years
- MATERIAL: 54
- TYPE: Single-lever
- CONNECTION: With connectors and wall escutcheons
- HOLE CONFIGURATION: 150 ± 15
- NON-RETURN VALVE: Yes
- Pop art inspiration

Technical drawing



Product Specification: Single-lever wall shower mixer. E8962. Collection: TOOBI. WEIGHT: 1.7 kg. MATERIAL: 54. INSTALLATION TYPE: Wall-mount. TYPE: Single-lever. FLOW RATE: 12 l/min under 3 bar. CONNECTION: With connectors and wall escutcheons. MECHANISM: Ceramic disc cartridge. HOLE CONFIGURATION: 150 ± 15 . INSTALLATION TYPE: 2 holes. NON-RETURN VALVE: Yes. MECHANISM GUARANTEE: 5 years. Pop art inspiration.

*Due to possible variations in computer and printer calibrations, technical factors and certain finish characteristics, the colors you see may not accurately portray the actual colors and are provided as a guide only.