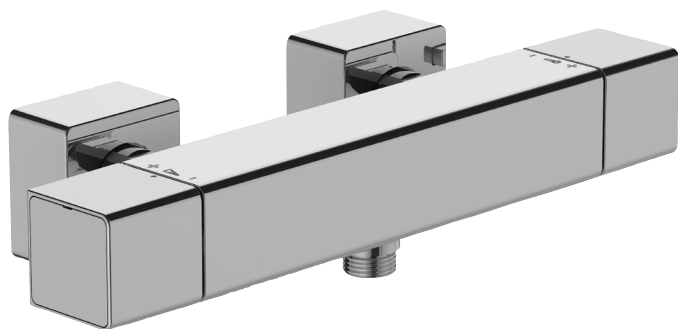


E9096



Collection: STRAYT

Finish*:



CP - Chrome

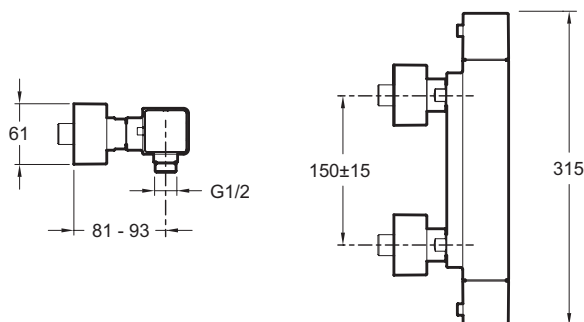
Main features:



Features

- WEIGHT: 3.1 kg
- INSTALLATION TYPE: 2 holes
- CONNECTION: With connectors and wall escutcheons
- INSTALLATION TYPE: 2 holes
- WARM BODY: Yes
- MECHANISM GUARANTEE: 5 years
- Connectors with wall escutcheons
- MATERIAL: Metal
- TYPE: Single-lever
- WATER/ENERGY-SAVING: WATER-SAVING
- SAFETY STOP: 40°C
- NON-RETURN VALVE: Yes
- Safety stop at 37°

Technical drawing



Product Specification: Thermostatic single-lever wall-mount shower mixer. E9096. Collection: STRAYT. WEIGHT: 3.1 kg. MATERIAL: Metal. INSTALLATION TYPE: 2 holes. TYPE: Single-lever. CONNECTION: With connectors and wall escutcheons. WATER/ENERGY-SAVING: WATER-SAVING. INSTALLATION TYPE: 2 holes. SAFETY STOP: 40°C. WARM BODY: Yes. NON-RETURN VALVE: Yes. MECHANISM GUARANTEE: 5 years. Safety stop at 37°. Connectors with wall escutcheons.