



B-15z

SECOLO

B-15z

2019

B-15z is named after a huge iceberg that broke away from an even larger ice shelf in Antarctica. B-15z looks like it was a piece of Tateyama but works as a perfect accompaniment or on its own. It is slightly over-sized and extremely comfortable. A soft lounge chair perfect for any situation or setting.

Wood internal structure with non deformable foam in different densities and polyester fibre layer. Base made from solid wood. Felt glides.

100 x 98 x 72 H cm seat height 42 H cm



Finishes

Upholstery Standard Collection

- Velvet
- Coco
- Sivertex (Outdoor)

Upholstery Premium Collection

- Leather
- Bouclé
- Nubuck
- Cloud Bouclé

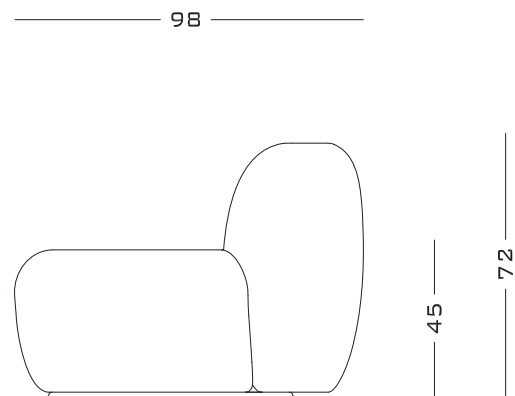
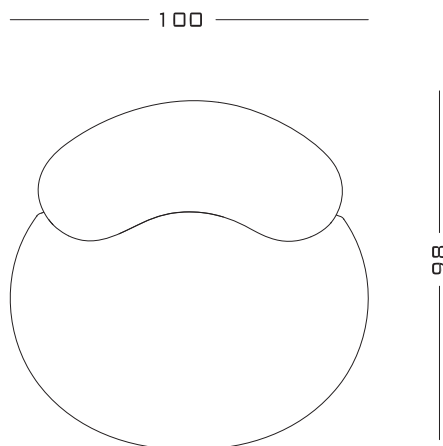
Base Finish

- Any RAL Colour



POSSIBLE CUSTOMISATION

- Width
- Depth
- Seat Height





SECOLO

Upholstery Standard Collection

Velvet

100% CO



Coco

50% CO, 3% LI, 15% PL, 28% VI



Colour samples are an indication only and do not replace the use of real samples when ordering, since it is impossible to guarantee a screen reproduction identical to the original.

Upholstery Standard Collection

Silvertex (Outdoor)

Vinyl / Urethane



Colour samples are an indication only and do not replace the use of real samples when ordering, since it is impossible to guarantee a screen reproduction identical to the original.

Upholstery Premium Collection

Leather

100% Natural



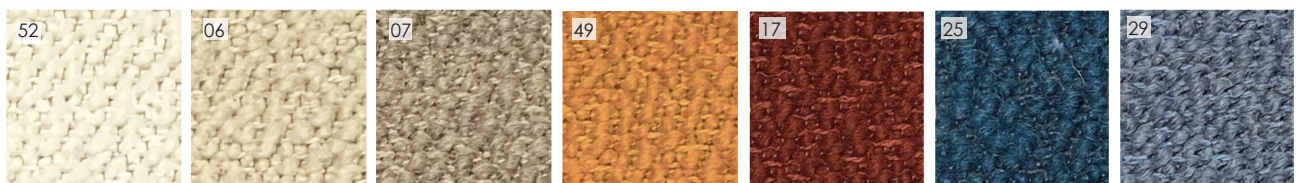
Nubuck

100% Natural



Bouclé

38% CO, 25% PL, 19% PC, 18% WO




Cloud Bouclé

32% CO, 61% WV, 7% PA



Colour samples are an indication only and do not replace the use of real samples when ordering, since it is impossible to guarantee a screen reproduction identical to the original.

www.secolo.co.uk

 [secolo_official](https://www.instagram.com/secolo_official)

info@secolo.co.uk

+44 (0) 20 73526766

305 Harbour Yard
Chelsea Harbour
SW10 0XD London
United Kingdom

S E C O L O